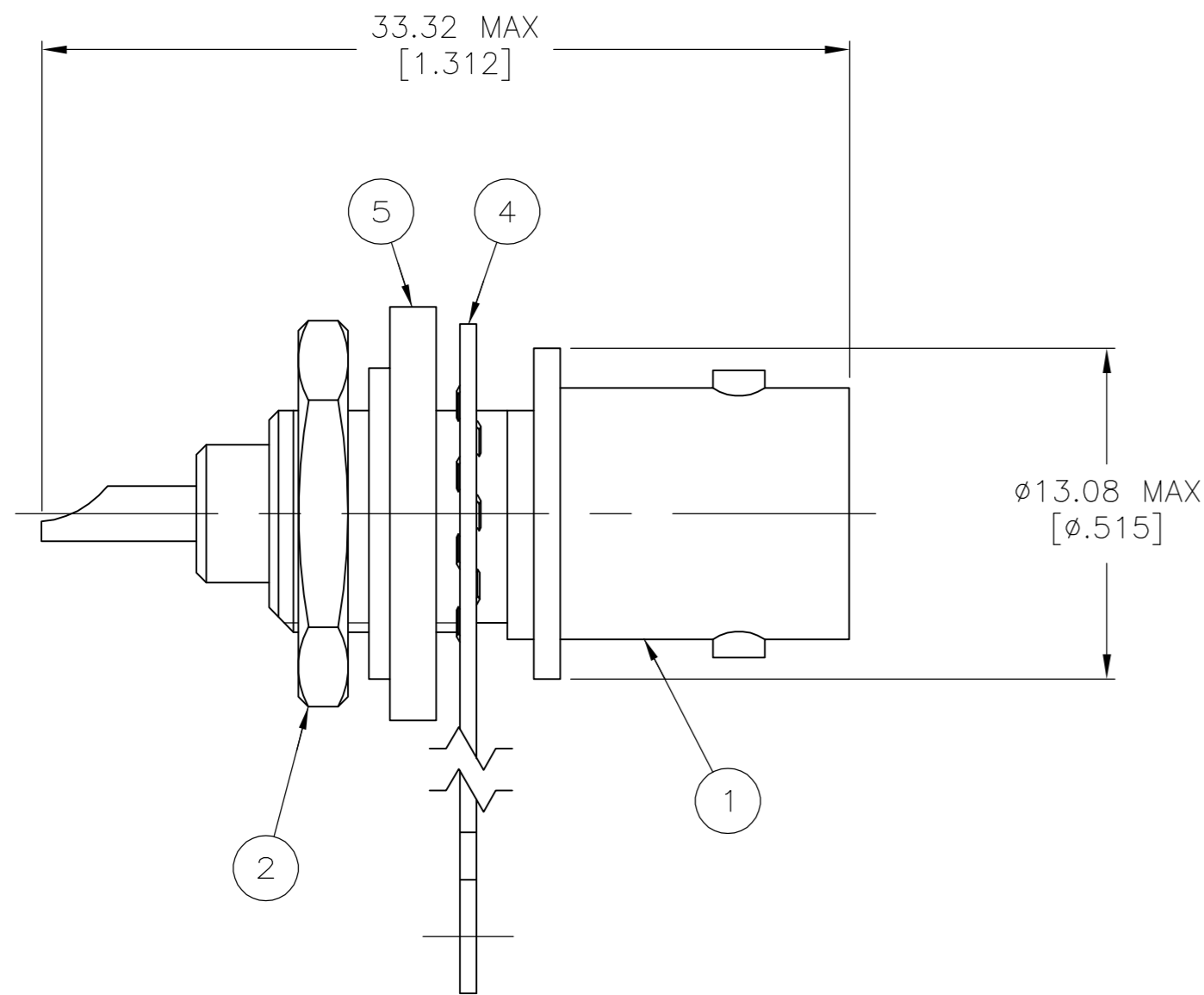
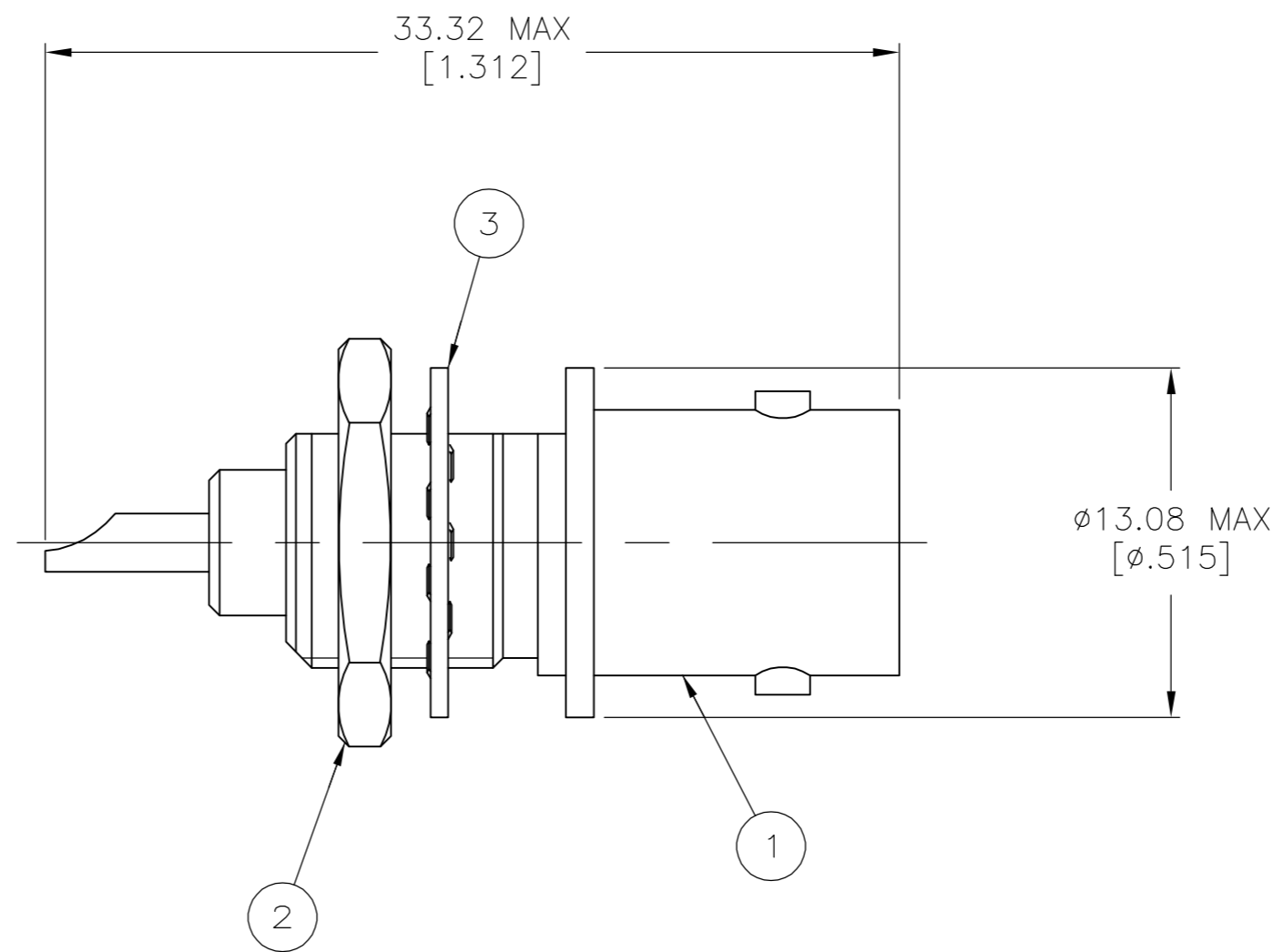


THIS DRAWING IS UNPUBLISHED. RELEASED FOR PUBLICATION  
 © COPYRIGHT 2005 BY TYCO ELECTRONICS CORPORATION. ALL RIGHTS RESERVED.

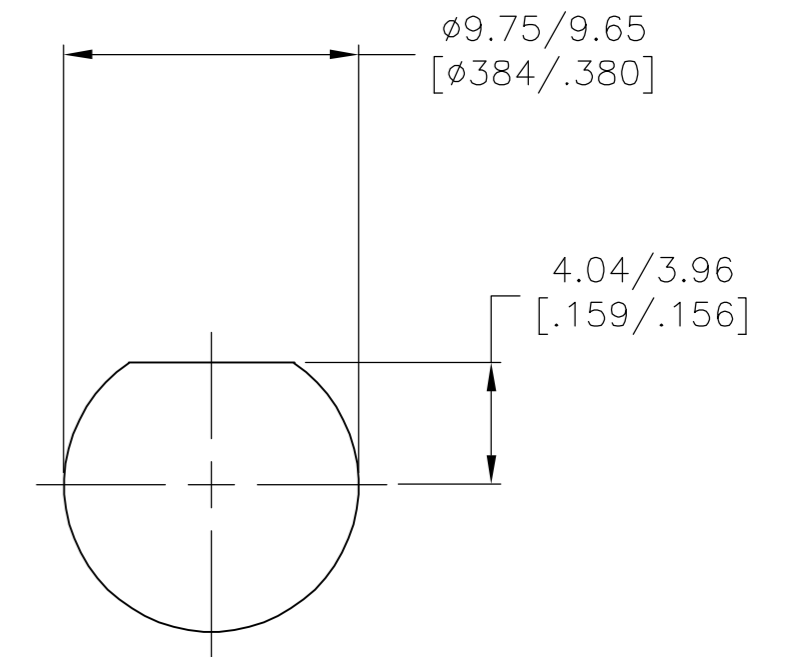
LOC	DIST	REVISIONS					
AJ	16	P	LTR	DESCRIPTION	DATE	DWN	APVD
		G1		REVISED PER ECO-06-018704	06SEP2006	MC	JH



VIEW A



VIEW B



RECOMMENDED PANEL CUTOUT

VIEW C

	<b>OBSOLETE</b>	<b>3</b>	<b>2</b>	-	A	221951-1	9-227260-0	-	1-330249-1	227140-5	1-227169-3
	SUPERSEDED BY 227169-7	VIEW C	<b>1</b>	.246 OZ	A	-	9-227260-0	-	1-330249-1	227140-5	1-227169-2
	SUPERSEDED BY 227169-8	VIEW C	<b>1</b>	.246 OZ	A	-	9-227260-0	-	1-330249-1	227140-6	1-227169-1
	SUPERSEDED BY 227169-4	VIEW C	<b>1</b>	.232 OZ	B	-	-	1-329492-1	1-330249-1	227140-6	1-227169-0
	SUPERSEDED BY 227169-3	VIEW C	<b>1</b>	.232 OZ	B	-	-	1-329492-1	1-330249-1	227140-5	227169-9
		VIEW C	<b>1</b>	.246 OZ	A	-	9-227260-0	-	1-330249-1	227140-2	227169-8
		VIEW C	<b>1</b>	.246 OZ	A	-	9-227260-0	-	1-330249-1	227140-3	227169-7
	SUPERSEDED BY 227169-8	VIEW C	<b>1</b>	.246 OZ	A	-	9-227260-0	-	1-330249-1	227140-4	227169-6
	<b>OBSOLETE</b>	VIEW C	<b>1</b>	.246 OZ	A	-	9-227260-0	-	1-330249-1	227140-1	227169-5
		VIEW C	<b>1</b>	.232 OZ	B	-	-	1-329492-1	1-330249-1	227140-2	227169-4
	<b>OBSOLETE</b>	VIEW C	<b>1</b>	.232 OZ	B	-	-	1-329492-1	1-330249-1	227140-3	227169-3
	SUPERSEDED BY 227169-4	VIEW C	<b>1</b>	.232 OZ	B	-	-	1-329492-1	1-330249-1	227140-4	227169-2
	<b>OBSOLETE</b>	VIEW C	<b>1</b>	.232 OZ	B	-	-	1-329492-1	1-330249-1	227140-1	227169-1
		PANEL CUTOUT	PANEL THICKNESS	WEIGHT	VIEW	<b>5</b> BUSHING QTY=1	<b>4</b> LOCKWASHER TERMINAL QTY=1	<b>3</b> LOCKWASHER QTY=1	<b>2</b> JAM NUT QTY=1	<b>1</b> JACK ASSY QTY=1	PART NUMBER

**1** 6.35 [.250] MAXIMUM PANEL THICKNESS.

**2** 4.75 [.187] MAXIMUM PANEL THICKNESS.

**3** SEE 221951, BUSHING CUSTOMER DRAWING, FOR RECOMMENDED PANEL CUTOUT FOR 1-227169-3 ONLY.

THIS DRAWING IS A CONTROLLED DOCUMENT.

DIMENSIONS: mm [INCHES]	TOLERANCES UNLESS OTHERWISE SPECIFIED:	DWN J. LIPPERT 6-24-94	Tyco Electronics Corporation Harrisburg, Pa 17105-3608
	0 PLC ± -	CHK M. TOMCHAK 6-24-94	
	1 PLC ± -	APVD J. LIPPERT 6-24-94	
	2 PLC ± -	PRODUCT SPEC 108-12079	
MATERIAL	FINISH	APPLICATION SPEC	NAME SOLDER JACK, 50 OHM, BNC
		WEIGHT	SIZE A2
		CUSTOMER DRAWING	CAGE CODE 00779
			DRAWING NO C=227169
			RESTRICTED TO
			SCALE 4:1
			SHEET 1 OF 1
			REV G1