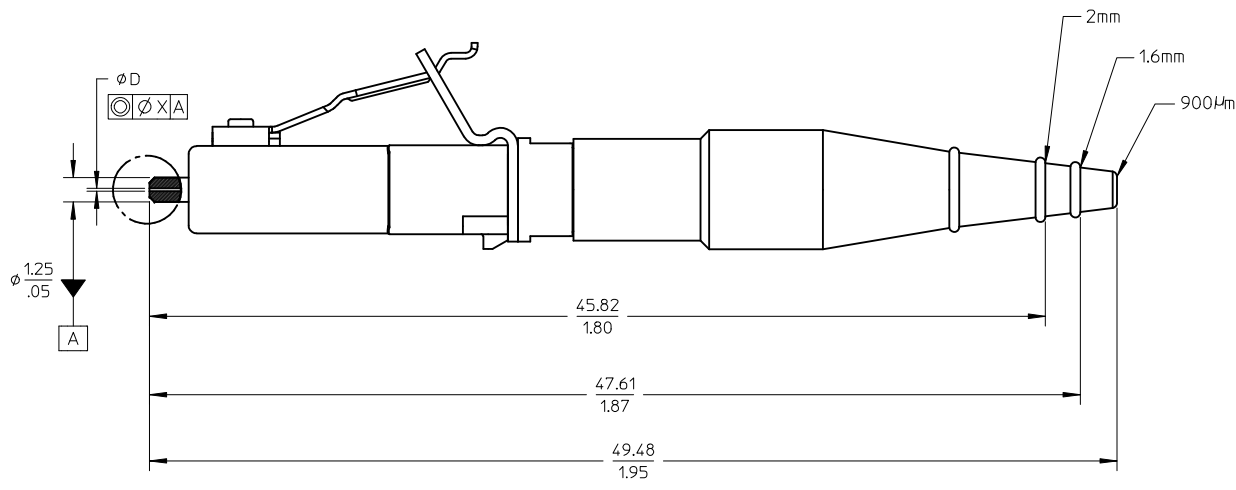
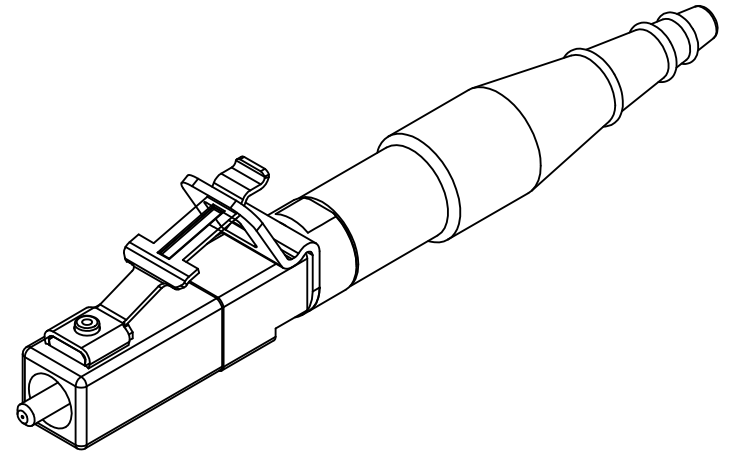


PART NUMBER	COLOR / TYPE	φD (μm)	φX (μm)
106397-5301	BLUE / SM	126	1
106397-5500	GOLD / MM	127	3
106397-5501		142	
106397-5502		172	



NOTES:
 1. DIMENSIONS ARE FOR REFERENCE ONLY.
 2. BOOT CUT AT LINES SHOWN FOR DIFFERENT CABLE SIZES.

ENTER DESCRIPTION EC NO: MF2010-0528 DRAWN: EEFUNG 2010/06/03 CHKD: SERNST 2010/06/04 APPR: WCHEN 2010/06/10 A	QUALITY SYMBOLS ▽=0 ▽7=0	GENERAL TOLERANCES (UNLESS SPECIFIED)		DIMENSION STYLE MM/IN	SCALE 4:1	DESIGN UNITS METRIC	THIRD ANGLE PROJECTION		
		4 PLACES ± --- ± ---	3 PLACES ± --- ± ---	2 PLACES ± --- ± ---	1 PLACE ± --- ± ---	DRAWN BY EEFUNG	DATE 2010/06/03	TITLE LC2+ HIGH TEMP CONNECTOR	
		ANGULAR ± 1 °				CHECKED BY SERNST	DATE 2010/06/04	MOLEX INCORPORATED	
		DRAFT WHERE APPLICABLE MUST REMAIN WITHIN DIMENSIONS				APPROVED BY WCHEN	DATE 2010/06/10	MATERIAL NO. SEE TABLE	DOCUMENT NO. SD-106397-5300
				SIZE B	THIS DRAWING CONTAINS INFORMATION THAT IS PROPRIETARY TO MOLEX INCORPORATED AND SHOULD NOT BE USED WITHOUT WRITTEN PERMISSION			SHEET NO. 1 OF 1	