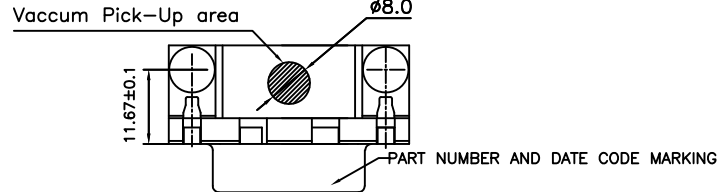




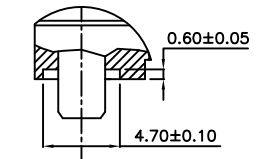
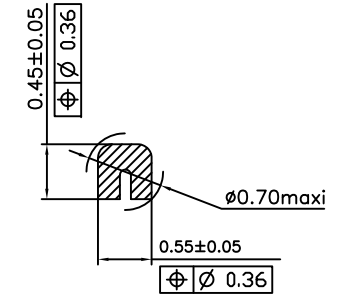
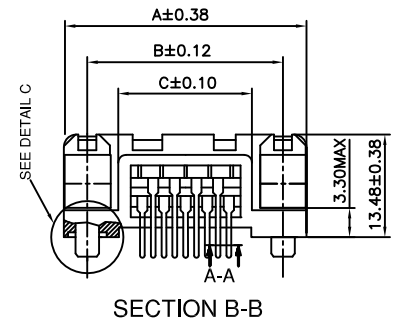
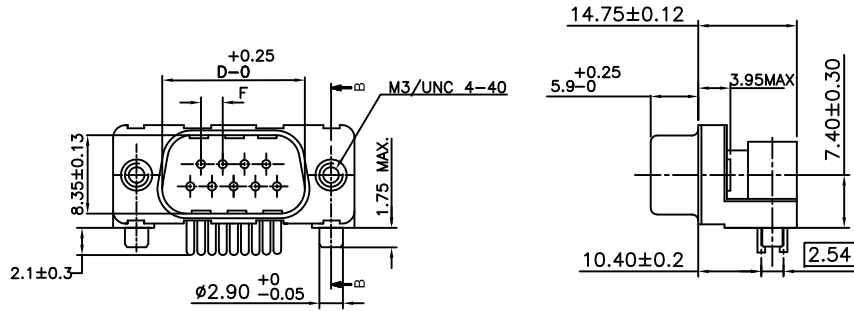
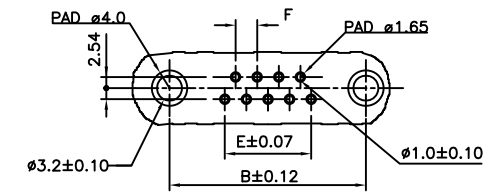
FCIconnect.com

Copyright FCI

D



09	30.81	24.99	16.96	16.79	11.04	2.76
SHELL	A±0.38	B±0.12	C±0.10	D <sup>+0.25</sup> <sub>-0</sub>	E±0.07	F <sup>±0.10</sup>



ORDERING INFORMATION

**D** **09** **P** **13** **A** **6** **R** **L** **108** **L** **F**

SERIES	NO. OF CONTACTS	TYPE OF CONTACTS	TYPE OF TERMINATION	HEIGHT OF TERMINATION	LF- LEAD FREE	REVERSE SHELL ORIENTATION TAPE&REEL PACKING	MOUNTING OPTIONS	PLATING
D	09	P- PIN	13- ANGLED SPILL PITCH 2.54 FOOT PRINT-10.4	A-2.10mm			RL->LIF HARPOON+INSERTM3+METAL BRACKET RX->LIF HARPOON+INSERT UNC 4.40+METAL BRACKET	4- Gold Flash, 200 Mating/Un-mating performance 6- 0.76µ Gold, 500 Mating/Un-mating performance

**PRODUCT SPECIFICATION**  
See :- GS-12-433

**PACKAGING SPECIFICATION**  
See :- GS-14-1139

"This product meets European Union Directives and other country regulations as described in GS-47-0004"

The housing will withstand exposure to 260°C peak temperature for 30 seconds in a convection, infra-red or vapor reflow oven solder application.

Packaging as per GS-14-920

TRUE POSITION :  $\text{ø } 0.36$

mat'l. code				surface		tolerance		projection		product family	
SEE.TECH.SPEC				ISO 1302		ISO 406 ISO 1101		MM		DELTA-D	
tolerances unless otherwise specified				angles		linear		scale		title	
A	109-0237	NG	2009/10/22							REVERSE DELTA-D A/S 9 MALE PIP CONNECTOR	
B	110-0249	NG	2010/12/29							EUROPE VERSION	
C	ELX-I-19023	AB	2014/10/11	0°±1°						dwg no	
D	ELX-I-21007	AB	2015/06/03	dr	ANISH.SALAM	2009/02/12					sheet 1 of 1
				enr	ALIAS.BABU	2016/10/11					size
				chr	MITHUN.PAUL	2016/10/11					A3
				appd	BIJU.K.PAUL	2016/10/11					type
sheet index		revision sheet		D						Product Customer Drawing	
		1									