

## SUMMARY



*Image is for illustrative purpose only*

### # Wires

|         |   |
|---------|---|
| Low     | 0 |
| High    | 0 |
| Coax    | 1 |
| Triax   | 0 |
| Quad    | 0 |
| Fiber   | 0 |
| Fluidic | 0 |

### Download

[Request a quote](#)

[Catalog](#)

|                  |                |
|------------------|----------------|
| Series           | 01             |
| Termination type | Male solder    |
| IP rating        | 50             |
| Cable Ø          | 0.00 - 0.00 mm |
| Matching parts   | ECP.01.250.DLL |
| Status           |                |
| Alternative part |                |

## TECHNICAL DETAILS

### Mechanics

|                   |  |
|-------------------|--|
| Shell Style/Model | FFS*: Straight plug for cable crimping                                   |
| Keying            | Circular (can rotate)  |
| Housing Material  | Brass (gold plated) shell, collet nut, brass latch sleeve and mid pieces |
| Cable Fixing      | ∅ 0 - 0 mm   |
| Variant           |  |

### Performance

|               |                        |
|---------------|------------------------|
| Configuration | 0.25 : 1 Coax (50 Ohm) |
| Insulator     |                        |
| Rated Current |                        |

### Specifications

Contact Type: Solder

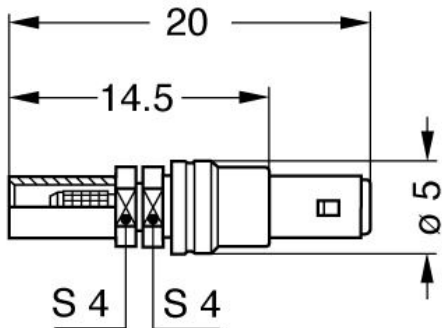
### Others

IP Rating: 50

---

# DRAWINGS

## Draws



## Dimensions

|     | A    | L    | M    | S1   | S2   |
|-----|------|------|------|------|------|
| mm. | 5    | 20   | 14.5 | 4    | 4    |
| in. | 0,20 | 0,79 | 0,57 | 0,16 | 0,16 |

---

# RECOMMENDED BY LEMO

## Tools

None

## Cables