

TECHNICAL CHARACTERISTICS

MATERIAL
 INSULATOR: LCP
 FLAMMABILITY RATING: UL94-V0
 COLOR: BLACK
 CONTACT MATERIAL: COPPER ALLOYS
 CONTACT TYPE: STAMPED
 CONTACT PLATING: SELECTIVE GOLD
 SHIELDING: BRASS WITH Ni PLATING
 QUALITY CLASS: 1500 MATING CYCLES

ENVIRONMENTAL
 OPERATING TEMPERATURE: -40 UP TO 105°C
 COMPLIANCE: LEAD FREE AND ROHS

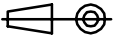
ELECTRICAL
 CURRENT RATING: 1.0 A max
 WORKING VOLTAGE: 30 VAC
 INSULATOR RESISTANCE: >1000 MOHM
 DIELECTRIC WITHSTANDING VOLTAGE: 750 VAC/MN
 CONTACT RESISTANCE: 20 MOHM MAX


STANDARD
 CERTIFIED: E323964

SOLDERING
 JEDEC LEAD FREE WAVE SOLDERING PROCESS

PACKAGING
 TUBE

RoHS Compliant			
M	03-AUG-16	PCN	AK
L	26-NOV-15	PACKAGING	AK
K	09-AVR-15	PCB THICKNESS	QP
J	18-FEB-13	DESIGNATION	AR
I	08-NOV-11	CURRENT RATING	GG
H	22-JUN-11	CURRENT RATING	GG
REV	DATE	FILE	BY

PROJECTION:	GENERAL TOLERANCE
	.X = +/- 0.2
APPROVAL: NPr	.XX = +/- 0.15

UNIT: MM	 WÜRTH ELEKTRONIK
SCALE:	
SHEET: 1/3	
DRAW: DXS	

DESCRIPTION: MINI USB 2.0 TYPE B 5 CONTACTS	SIZE
WERI PART NO: 651 005 136 521	A4

A

B

C

D

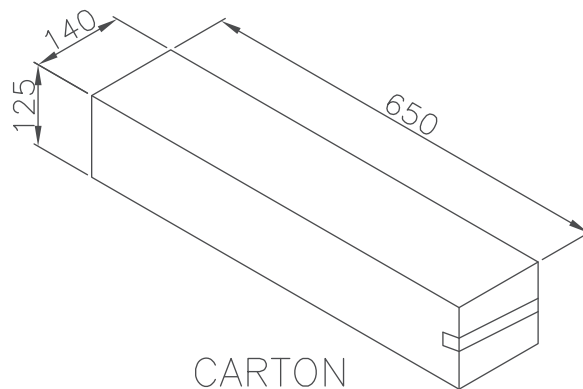
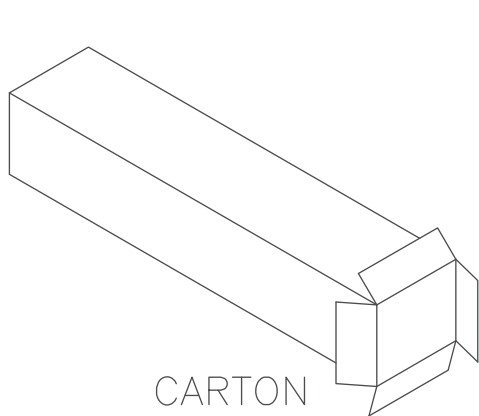
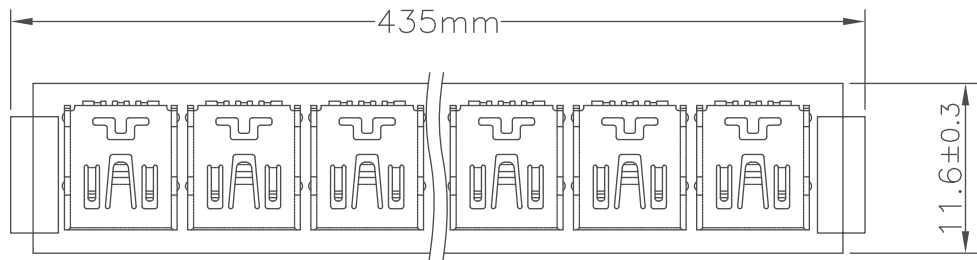
1

2

3

4

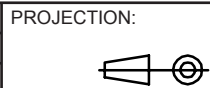
5



Note:
 Dimension:
 Tube Size: L=435mm
 Carton Size : 650(L)X140(W)X125(H) (mm)

50 Pcs/Tube
 120 Tube/Carton
 6000 Pcs/Carton

RoHS Compliant			
G			
F			
E			
D			
C			
B			
A			
REV	DATE	FILE	BY



APPROVAL: NPr

GENERAL TOLERANCE

.X = ± 0.2
 .XX = ± 0.15



UNIT: MM

SCALE:

SHEET: 2/3

DRAW: AK

DESCRIPTION: MINI USB 2.0 TYPE B 5 CONTACTS

WERI PART NO: 651 005 136 521

SIZE

A4

A

B

C

D

1

2

3

4

5

Cautions and Warnings:

This electronic component is designed and developed with the intention for use in general electronics equipments.

Before incorporating the components into any equipments in the field such as aerospace, aviation, nuclear control, submarine, transportation, (automotive control, train control, ship control), transportation signal, disaster prevention, medical, public information network etc. where higher safety and reliability are especially required or if there is possibility of direct damage or injury to human body, Würth Elektronik must be asked for a written approval.

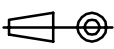

In addition, even electronic component in general electronic equipments, when used in electrical circuits that require high safety, reliability functions or performance, the sufficient reliability evaluation-check for the safety must be performed before by the user before usage.

A

B

C

RoHS Compliant

G				PROJECTION: 	GENERAL TOLERANCE .X = +/- 0.2 .XX = +/- 0.15		
F							
E							
D							
C				APPROVAL: JC	UNIT: MM	DESCRIPTION: DISCLAIMER	SIZE A4
B					SCALE:		
A	10-SEP-14	PDF	QL		SHEET: 3/3	WERI PART NO: DISCLAIMER	
REV	DATE	FILE	BY		DRAW: QL		

D