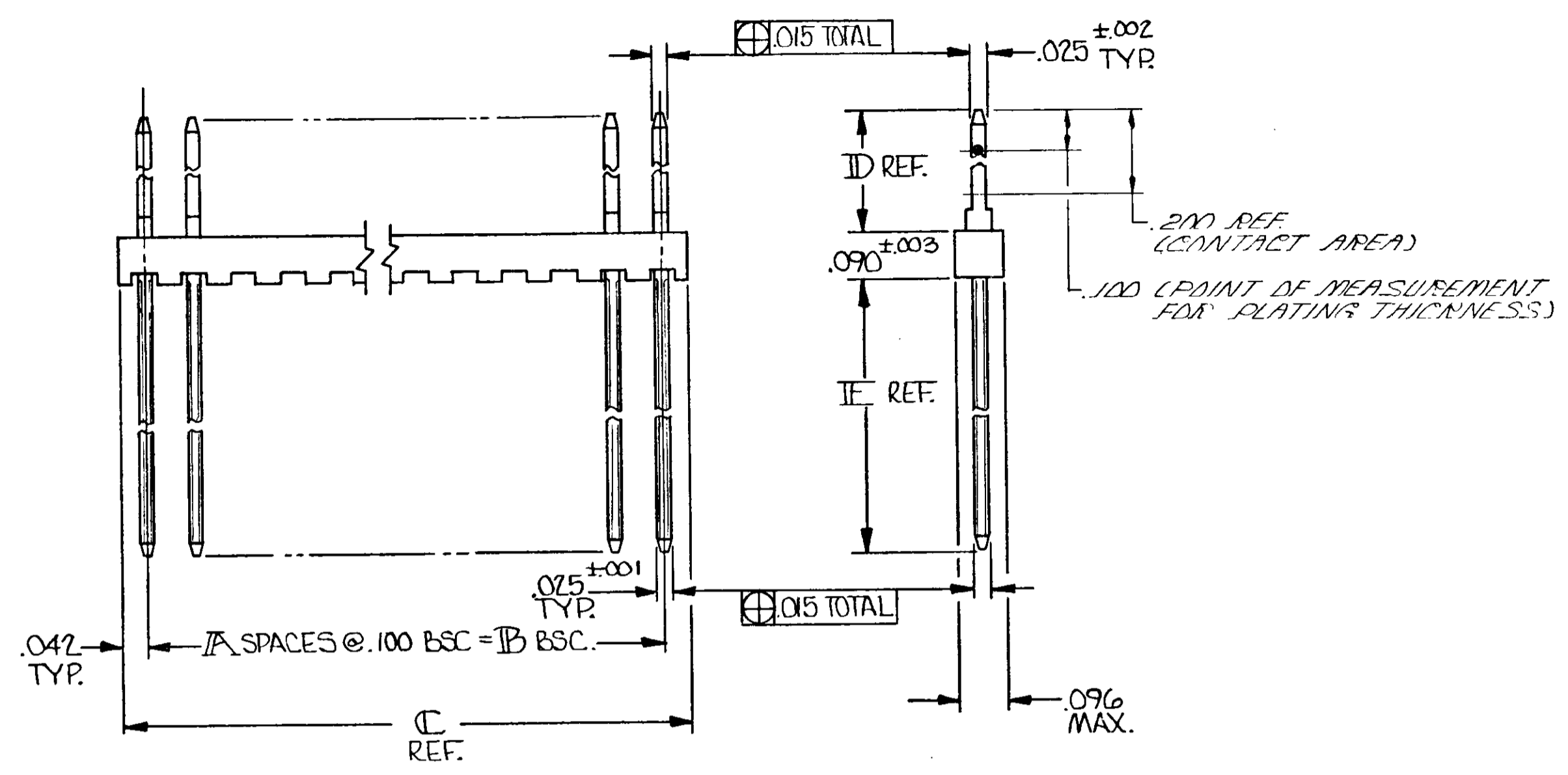
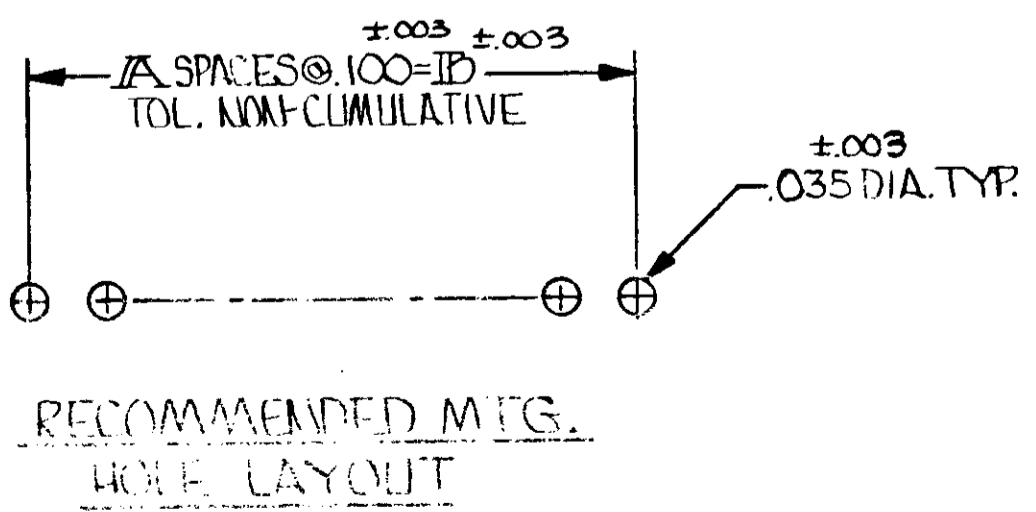


		REVISIONS		DATE	APPROVED
P	F	ZONE	LTR	DESCRIPTION	
			O		
			A	REVISED POSTS TO STANDARD (SEE 1480)	2-20-76
			A1	ADDED NOTE 2	2-23-76
			B	REV. PER ECN 2383	4-11-87
			C	REV LOC & DIST AD-4171	11-29-89
			D	REV PER AD-4846	10-31-90
			E	REV PER AD-5159	7-16-91
			F	REV PER 0010-1352-93	1-30-94
			G	EC. 0010-1359-93	
			G1	REV PER ECO-10-000445	JAN10



- 1. .000030 GOLD ON CONTACT AREA, GOLD FLASH ON SOLDER AREA, ALL OVER .000050 NICKEL.
- 2. TRUE POSITION TOLERANCE OF POST TIPS APPLIES WHEN HEADERS ARE HELD FLAT AGAINST PRINTED CIRCUIT BOARD.
- 3. OBSOLETE PART NUMBER
- 4. OBSOLETE PARTS: OBSOLETE CIS STREAMLINING PER D.RENAUD/D.SINISI

IF	ID	C	IB	A	FINISH	NO. OF POS.	PART NO
.154	.318	3.984	3.900	39	1	40	4-87527-0
		3.884	3.800	38		39	3-3-9
		3.784	3.700	37		38	3-3-8
		3.684	3.600	36		37	3-3-7
		3.584	3.500	35		36	3-3-6
		3.484	3.400	34		35	3-3-5
		3.384	3.300	33		34	3-3-4
		3.284	3.200	32		33	3-3-3
		3.184	3.100	31		32	3-3-2
		3.084	3.000	30		31	3-3-1
		2.984	2.900	29		30	3-3-0
		2.884	2.800	28		29	2-3-9
		2.784	2.700	27		28	2-3-8
		2.684	2.600	26		27	2-3-7
		2.584	2.500	25		26	2-3-6
		2.484	2.400	24		25	2-3-5
		2.384	2.300	23		24	2-3-4
		2.284	2.200	22		23	2-3-3
		2.184	2.100	21		22	2-3-2
		2.084	2.000	20		21	2-3-1
		1.984	1.900	19		20	2-3-0
		1.884	1.800	18		19	1-3-9
		1.784	1.700	17		18	1-3-8
		1.684	1.600	16		17	1-3-7
		1.584	1.500	15		16	1-3-6
		1.484	1.400	14		15	1-3-5
		1.384	1.300	13		14	1-3-4
		1.284	1.200	12		13	1-3-3
		1.184	1.100	11		12	1-3-2
		1.084	1.000	10		11	1-3-1
		.984	.900	9		10	1-3-0
		.884	.800	8		9	1-3-9
		.784	.700	7		8	1-3-8
		.684	.600	6		7	1-3-7
		.584	.500	5		6	1-3-6
		.484	.400	4		5	1-3-5
		.384	.300	3		4	1-3-4
		.284	.200	2		3	1-3-3
		.184	.100	1		2	1-3-2
.154	.318	.084	—	—	1	1	87527-1



UNLESS OTHERWISE SPECIFIED DIMENSIONS ARE IN INCHES. TOLERANCES ON: DECIMALS ±.005 ANGLES ±.005	CONTRACT NO	AMP INCORPORATED Harrisburg, Pa.	
	DR B. Welch 8-6-75	NAME	HEADER ASSY., MOD II, .025 SQ. POSTS, .100 & SINGLE ROW
MATERIAL HOUSING: GLASS FILLED NYLON COLOR: BLACK POST: PHOS BRONZE	CHK D. W. 8-7-75	APPD. [Signature] 8-7-75	APPD. [Signature] 8-7-75
FINISH POSTS: SEE TABLE	DSGN APPD.	OTHER APPD.	SIZE CODE IDENT NO DRAWING NO C 00779 87527
			REV. G1

CUSTOMER DRAWING