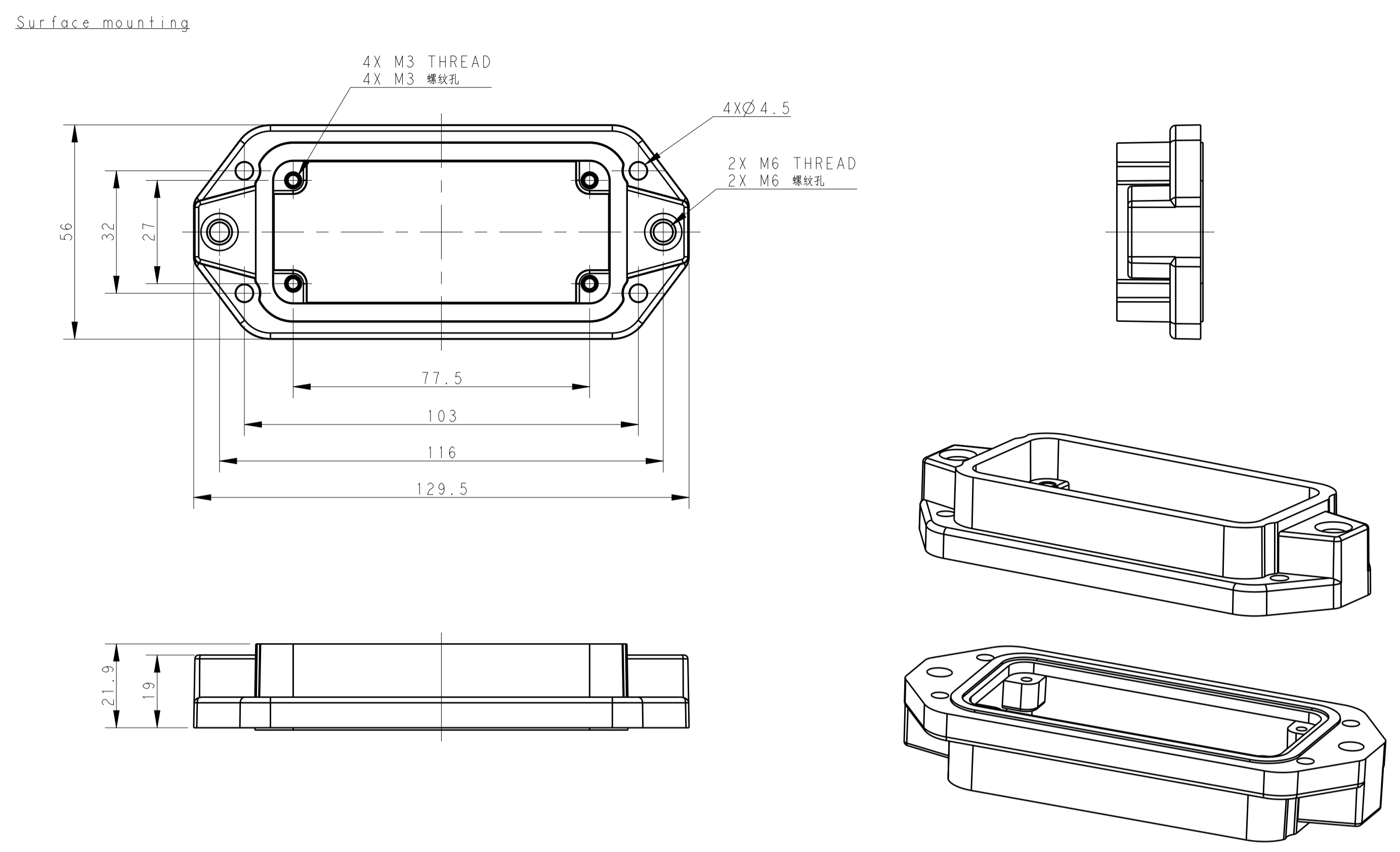
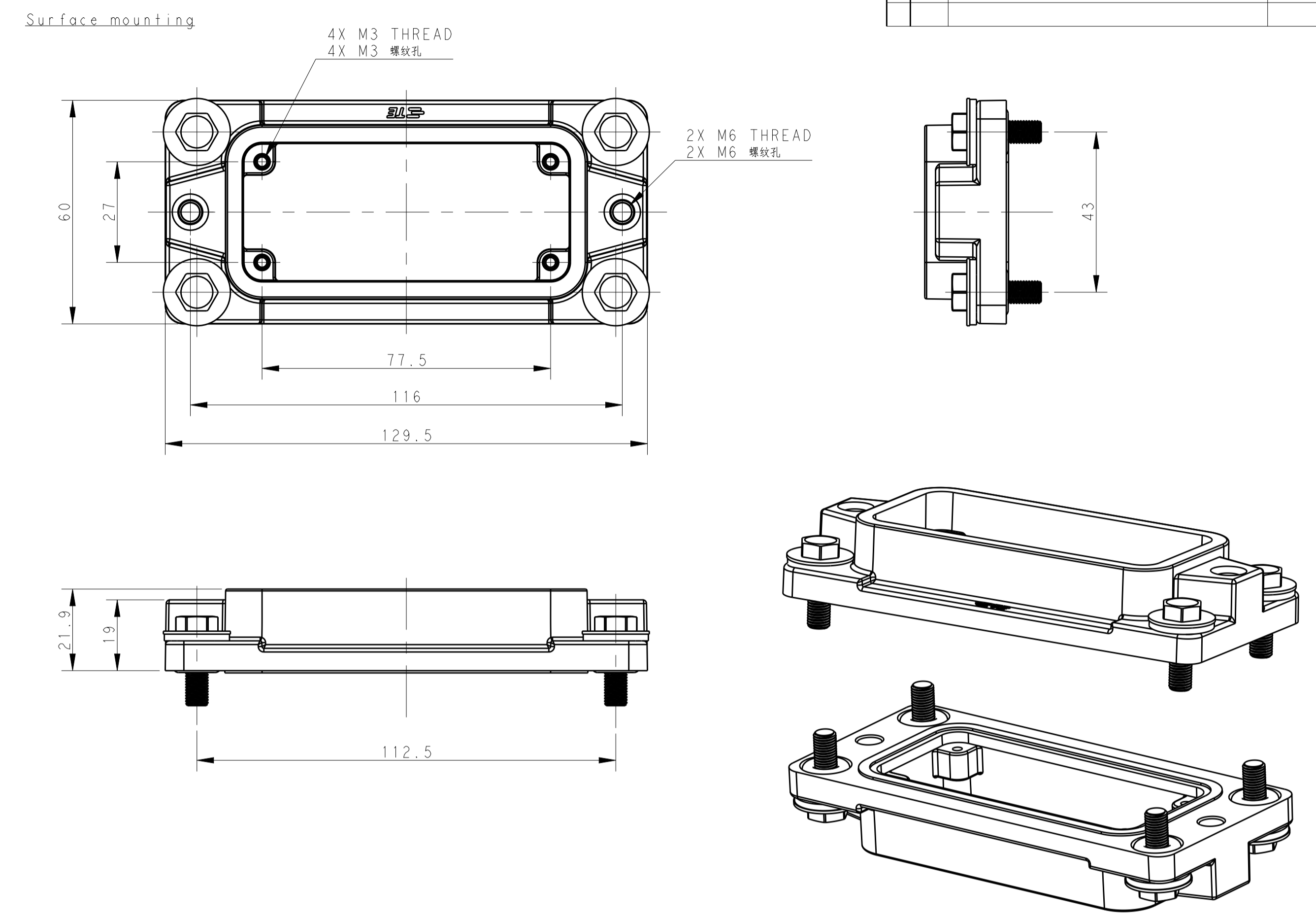


TYPE 1



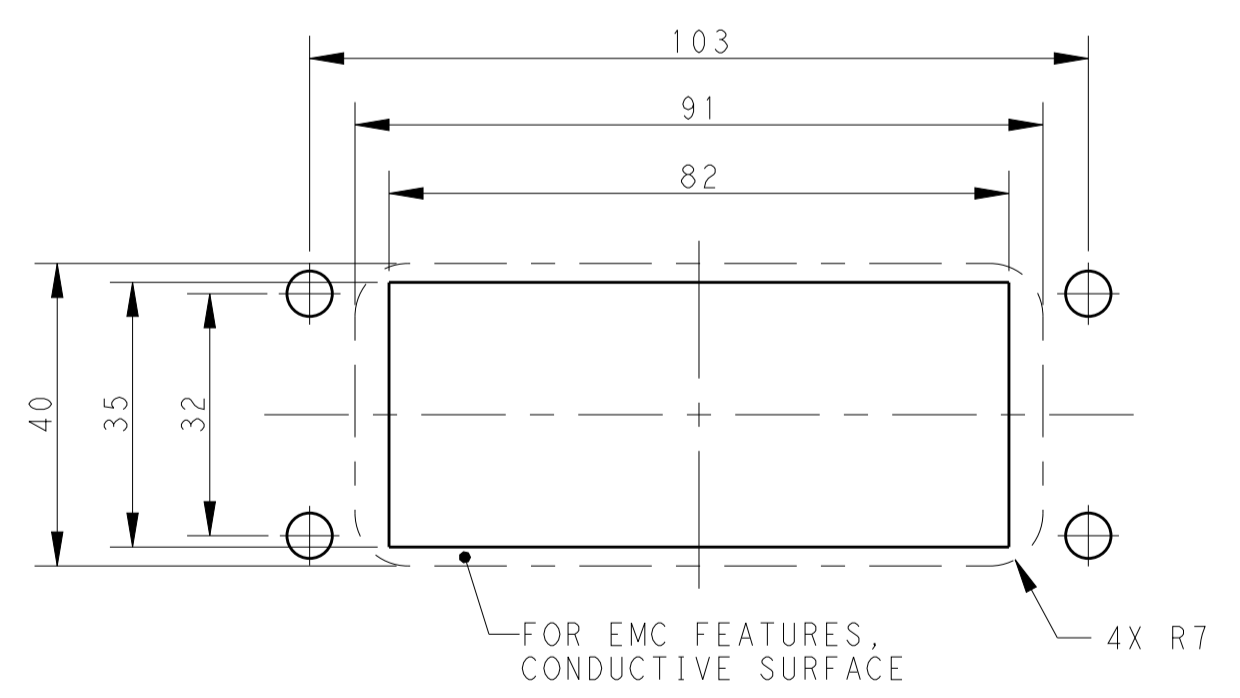
TYPE 2



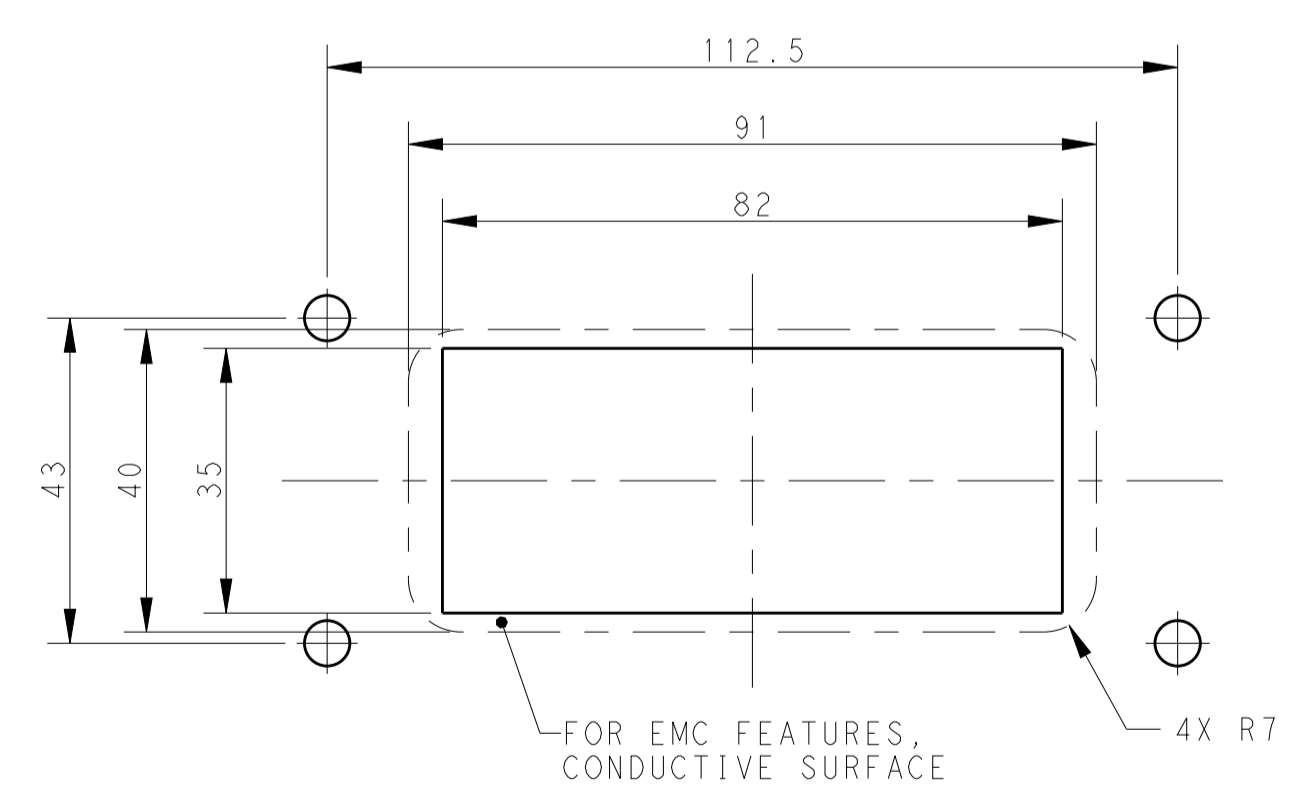
REVISIONS				
P.	LTM	DESCRIPTION	DATE	DWN APVD
A		INITIAL RELEASE	08OCT2016	DW CW

NOTES:
1. TECHNICAL CHARACTERISTICS:
HOUSING MATERIAL: DIE CAST ALUMINIUM ALLOY
SURFACE: SEE TABLE
DEGREE OF PROTECTION: IP68 (MATED)

注释
1. 技术参数:
壳体材料: 铝合金
表面处理: 见表格
防护等级: IP68 (配合)



Panel Cut Out Dimension For TYPE 1, Only for Reference
面板开口尺寸, 仅供参考



Panel Cut Out Dimension For TYPE 2, Only for Reference
面板开口尺寸, 仅供参考

PART NUMBER	DESCRIPTION	TYPE
T1932160001-009	H16BPR-AGCT-EMC-C H16BPR HOUSING, CENTER LOCKING, BULKHEAD FLANGE MOUNTED, POWDER COATED, BLACK H16BPR中部锁定面板型开孔下壳 黑色	TYPE 2 类型2
T1932162000-009	H16BPR-AGC-EMC-C H16BPR HOUSING, CENTER LOCKING, BULKHEAD MOUNTED, POWDER COATED, GREY H16BPR中部锁定开孔下壳 灰色	TYPE 1 类型1
T1932161000-009	H16BPR-AGC-EMC-C H16BPR HOUSING, CENTER LOCKING, BULKHEAD MOUNTED, POWDER COATED, SILVER WHITE H16BPR中部锁定开孔下壳 银白色	
T1932160000-009	H16BPR-AGC-EMC-C H16BPR HOUSING, CENTER LOCKING, BULKHEAD MOUNTED, POWDER COATED, BLACK H16BPR中部锁定开孔下壳 黑色	TYPE 类型

THIS DRAWING IS A CONTROLLED DOCUMENT.

DIMENSIONS: mm

TOLERANCES UNLESS OTHERWISE SPECIFIED:

0 PLC	±
1 PLC	±
2 PLC	±
3 PLC	±
4 PLC	±
ANGLES	±

MATERIAL: -

FINISH: -

DWN: DAVID WANG 08OCT2016

CHK: CHRIS WANG 08OCT2016

APVD: XIANG YU 08OCT2016

NAME: H16BPR-AGC/AGCT-EMC-C

PRODUCT SPEC: 108-137191

APPLICATION SPEC: 114-137191

WEIGHT: -

Customer Drawing

SCALE: 1:1

SHEET: 1 OF 1

REV: A