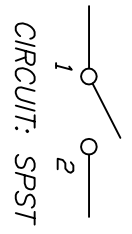
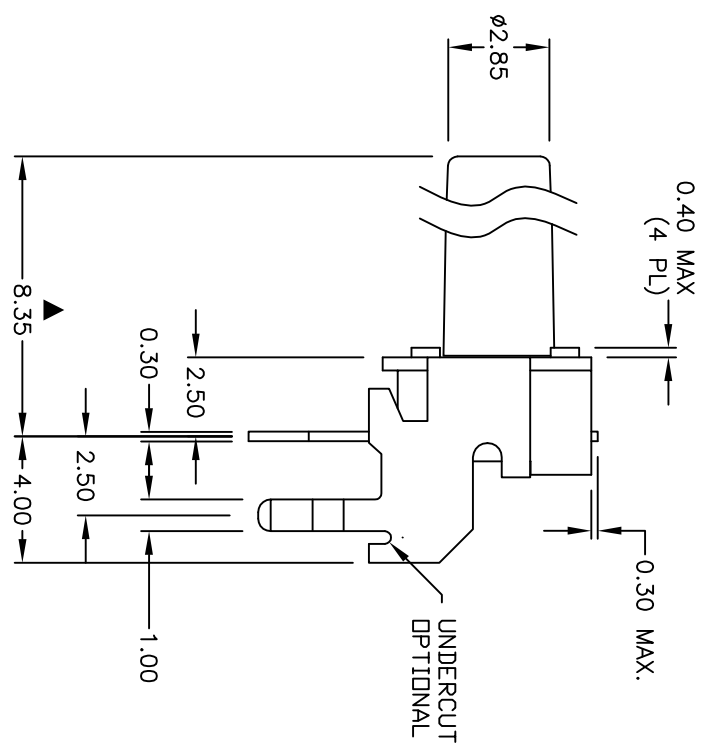
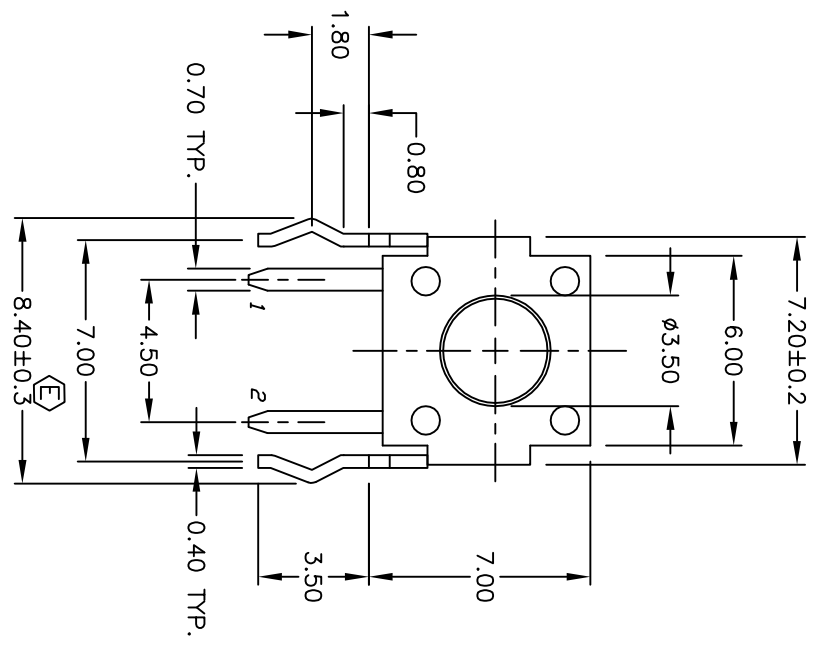


RECOMMENDED P.C.B. LAYOUT



NOTES:

1. ALL DIMENSIONS IN MM
2. GENERAL TOLERANCE: X.X=±0.4
X.XX=±0.25
3. TERM. NOS. FOR REF. ONLY
4. RATING: 50mA, @12V DC
5. TRAVEL: 0.25±0.1mm
6. OPERATING FORCE: 160±50gf
7. CONTACT RESISTANCE: 100 milliohms Max.
8. ELECTRICAL LIFE: 100,000 CYCLES MIN.
9. ▲ DENOTES CRITICAL PARAMETER
10. ACTUATOR COLOR: BLACK
11. HOUSING COLOR: BLACK
12. 2002/95/EC (ROHS) COMPLIANT.



E		18313	LEG TOLERANCE WAS +/- 0.1	11/11/08	BLR	TITLE		TL 1105 S F160 Q		E-SWITCH™	
D		12370	REVISED AND REDRAWN	8/14/02	CJB	SCALE		4:1		DATE	
REV.		ECN NO.	DESCRIPTION	DATE	CHKD	DR		BLR		DWG	
						P010299		REV		E	

THE INFORMATION CONTAINED IN THIS DOCUMENT IS PROPRIETARY TO E-SWITCH AND IS NOT TO BE COPIED OR TRANSFERRED