

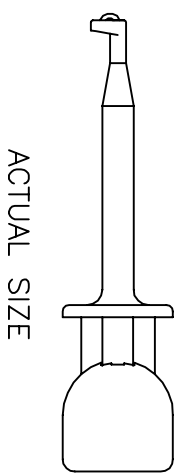
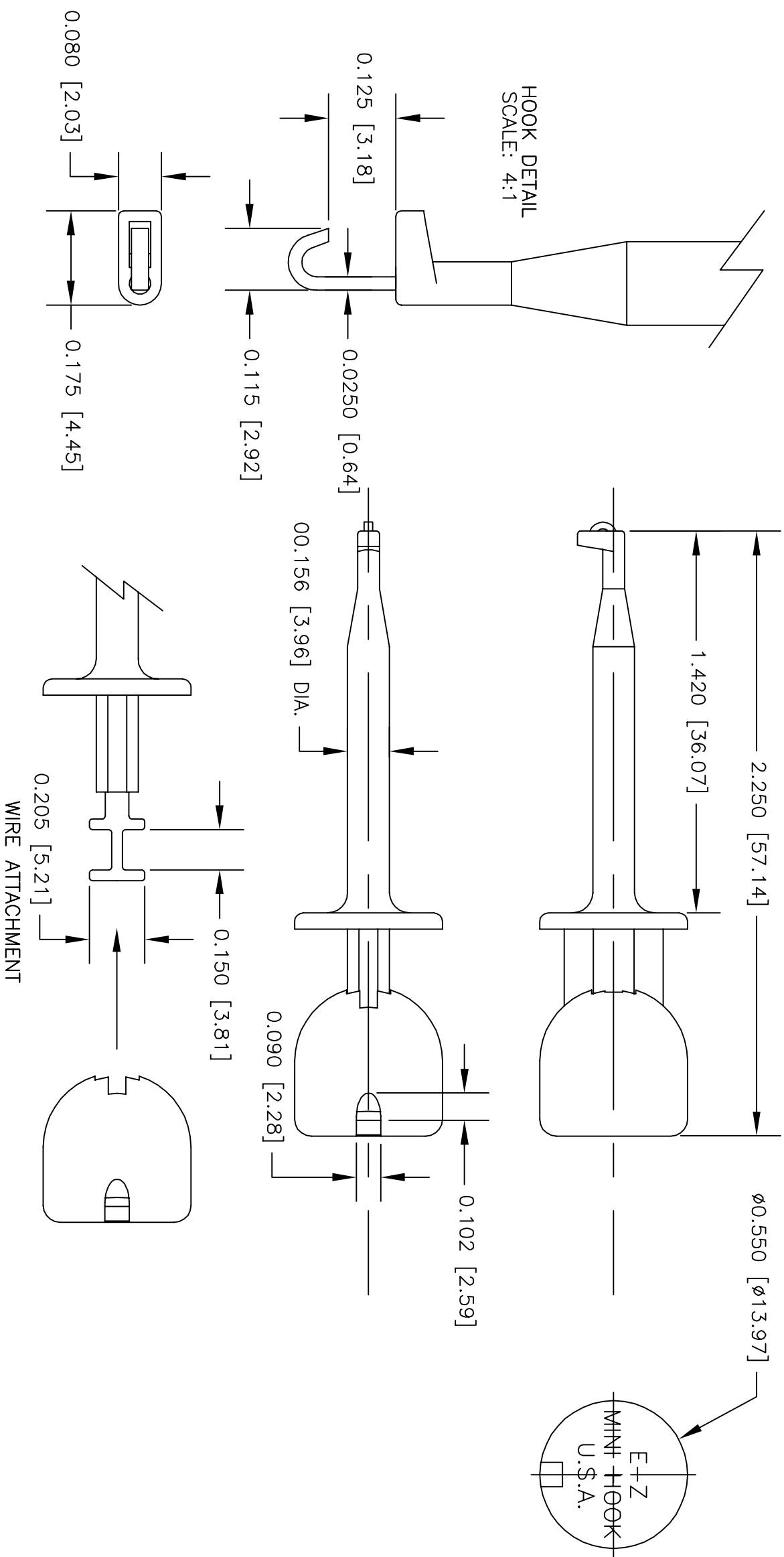
NOTES: UNLESS OTHERWISE SPECIFIED

1. CONSTRUCTION: HOUSING & PLUNGER: MOLDED NYLON TYPE 6,6. AVAILABLE IN TEN COLORS.

CONTACT BLADE: BERYLLIUM COPPER PER QQ-C-533. GOLD PLATED PER MIL-G-45204 B TYPE 1 .00001" THICK MINIMUM
 SPRING: STAINLESS STEEL TYPE 302

2. PERFORMANCE: MAXIMUM CURRENT: 5.9 AMPS WITH A 77° TEMPERATURE RISE.
 MAXIMUM VOLTAGE: 5.4 KV
 MAXIMUM TEMPERATURE: 200°F (93°C)

3. FEATURES: HOOK FITS COMPONENTS UP TO $\phi 0.059$ " [1.50].
 FIELD SERVICEABLE.



		UNLESS OTHERWISE SPECIFIED DIMENSIONS ARE IN INCHES. TOLERANCES ARE: FRACTIONS DECIMALS ANGLES		CONTRACT NO.	
		.XX ± .XXX ±		APPROVALS	
		±		DATE	
		MATERIAL SEE NOTE.		DRAWN R.L.	
		FINISH SEE NOTE.		APPROVED BY	
		DO NOT SCALE DRAWING		DATE 6/09	
NEXT ASSY		USED ON		DESCRIPTION	
APPLICATION				E-Z-MINI-HOOK TEST CONNECTOR	
				SIZE CODE IDENT NO. DRAWING NO.	
				B 08505 XR	
				SCALE 2:1	
				SHEET 1 OF 1	
				REV.	

THE INFORMATION CONTAINED IN THIS DOCUMENT IS PROPRIETARY TO E-Z-HOOK. THE INFORMATION IS NOT TO BE REPRODUCED WITHOUT PRIOR WRITTEN PERMISSION OF E-Z-HOOK, DIV. OF TEKTEST INC. MAXIMUM TESTED RATINGS IN A HANDS-FREE CONTROLLED ENVIRONMENT. MAXIMUM RATINGS ARE NOT TO BE USED CONCURRENTLY.

LTR	REVISIONS	DESCRIPTION	DATE	APPROVED

EZ-HOOK DIVISION OF TEKTEST INC.
 ARCADIA, CA 91006 U.S.A.