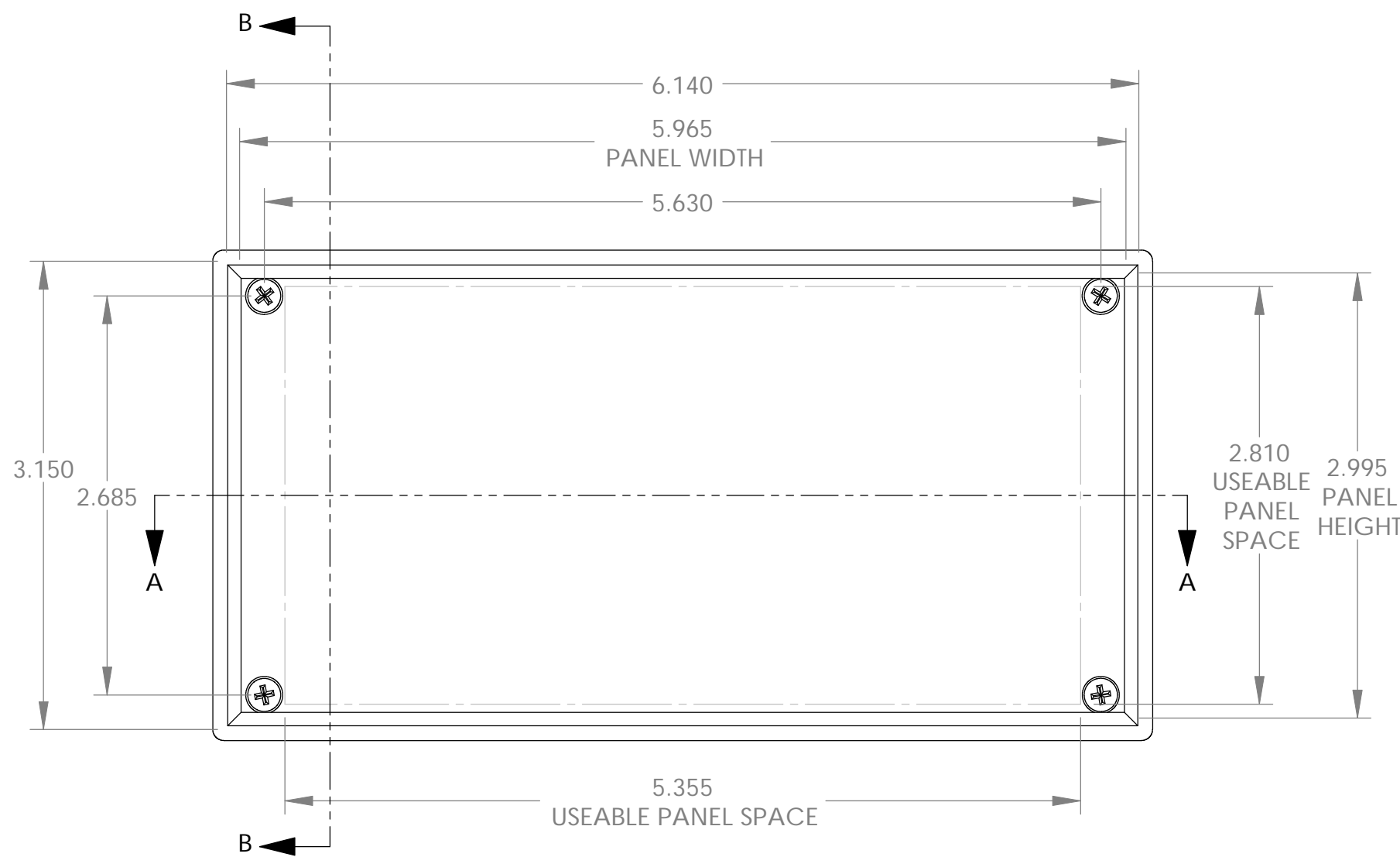
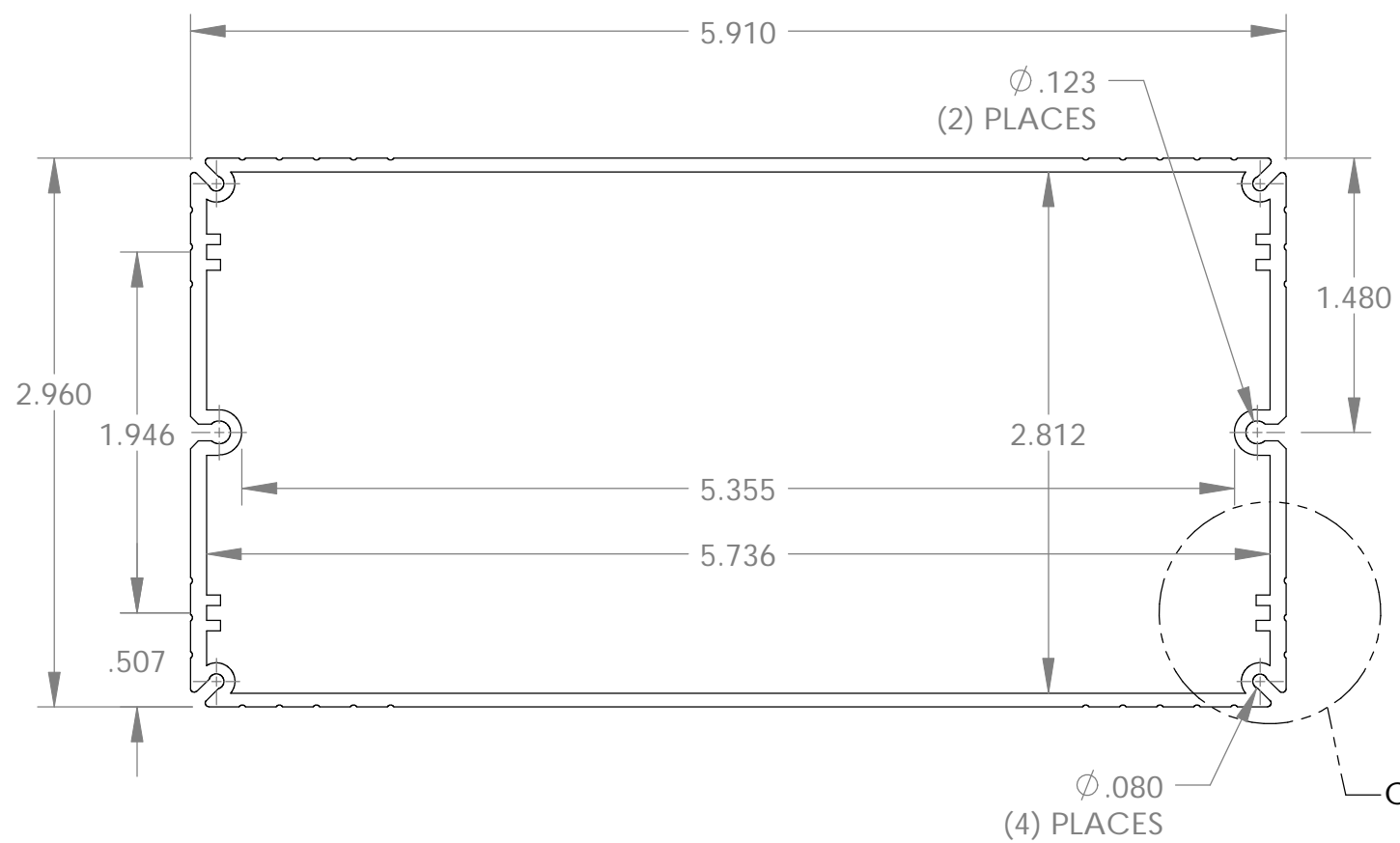
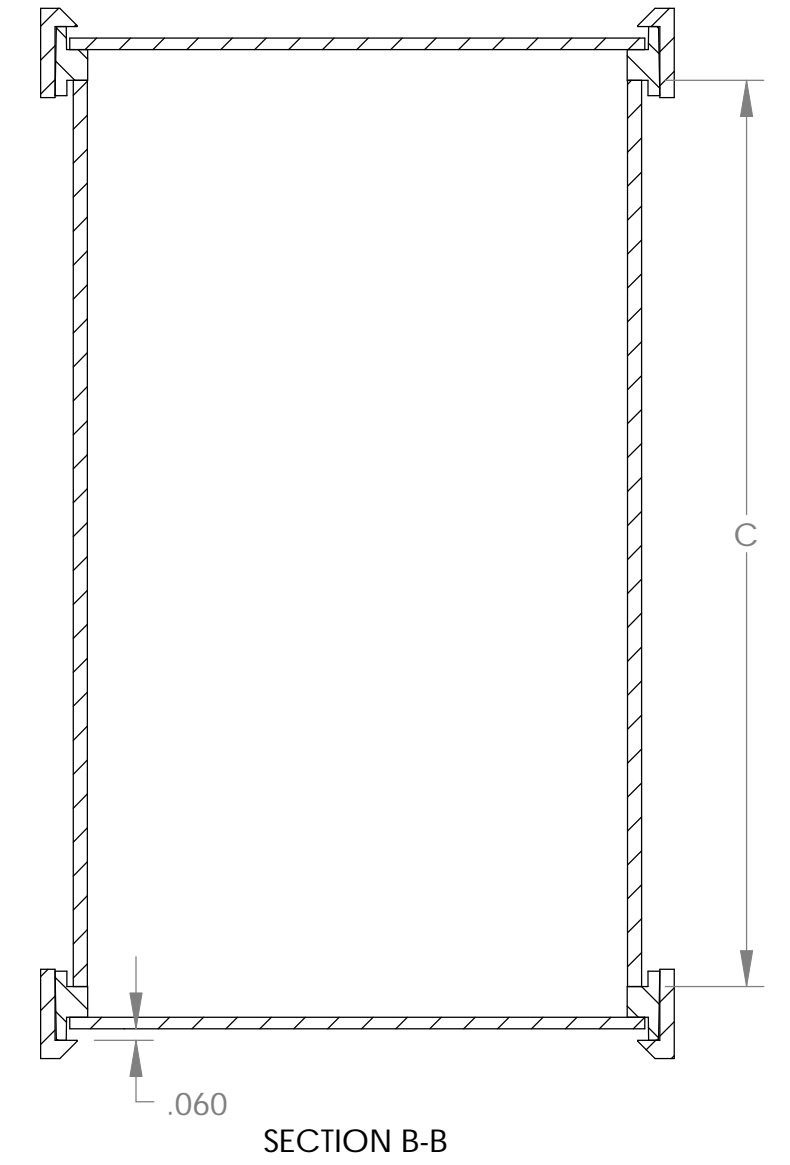
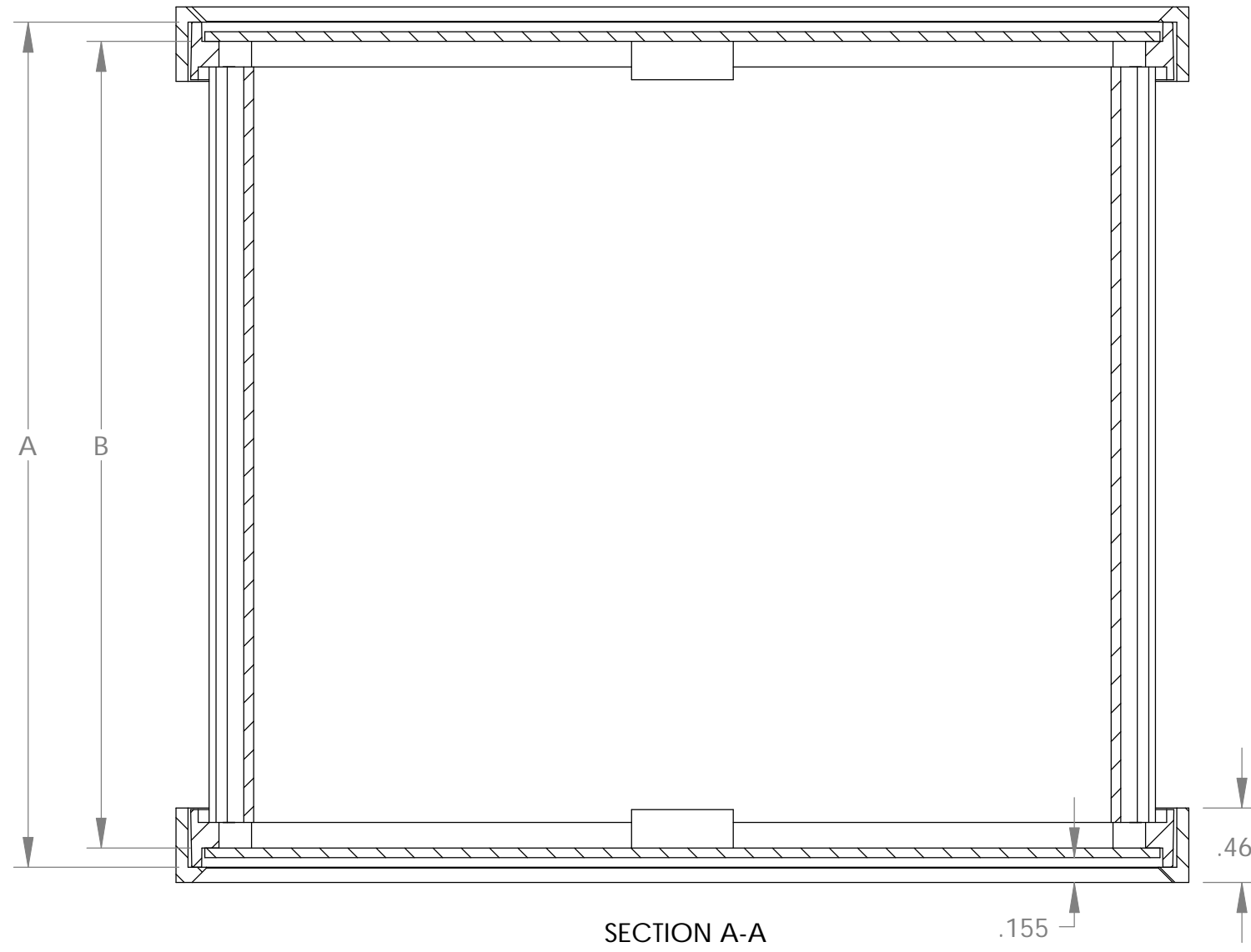
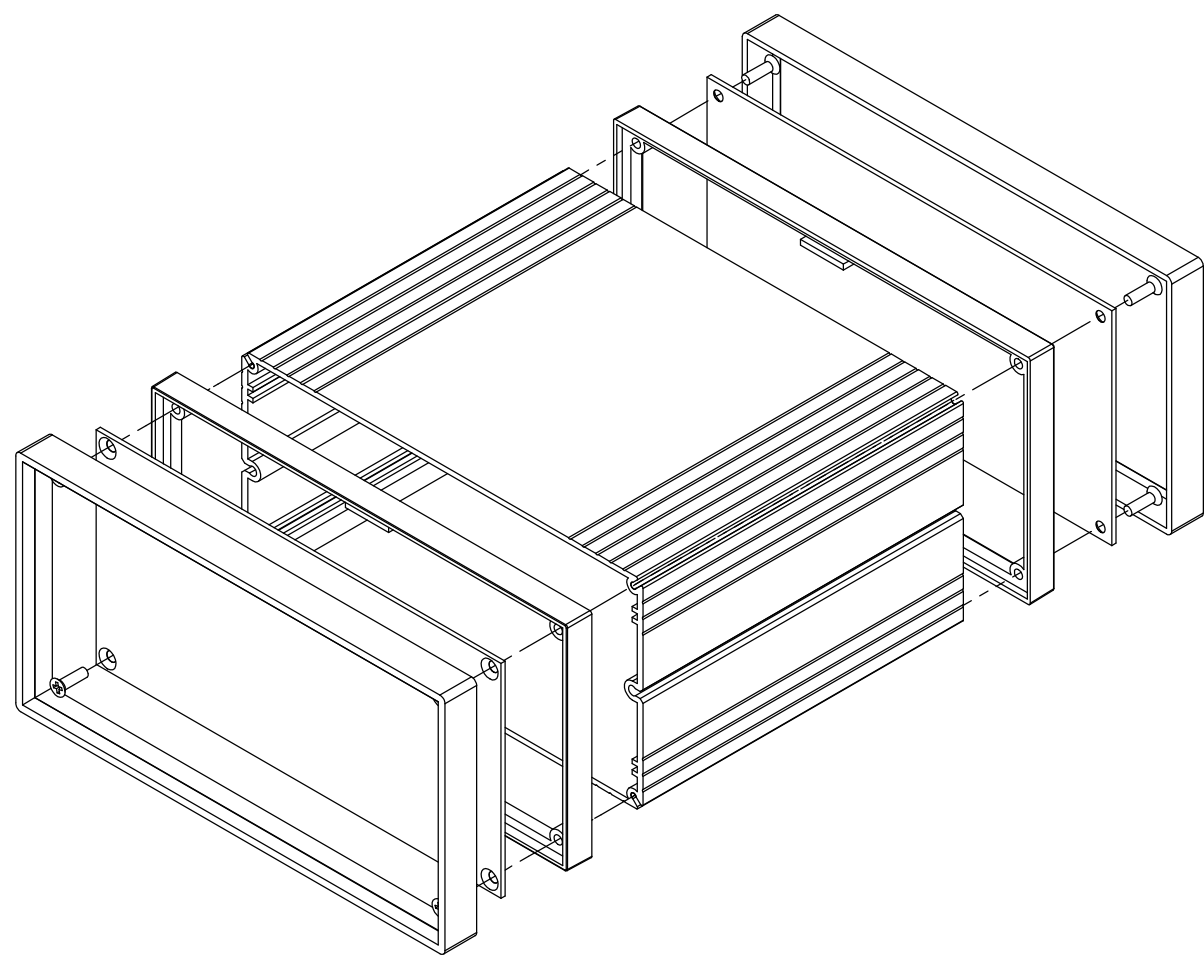


PART NAME

EXTRUDED ALUMINUM BOX

PART No.

EX-4521 & EX-4522 & EX-4523

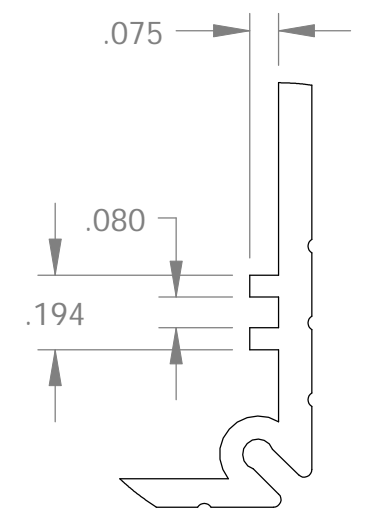


MATERIAL:
 BODY - ALUMINUM
 BEZEL - UL94V-0 ABS
 PANEL - .060 THK. ALUMINUM

FINISH:
 BODY - SILVER COATING
 BEZEL - BLACK
 PANEL - NATURAL

EIGHT (8) M3 x 10mm FLAT HEAD SCREWS SUPPLIED TO ATTACH END PANELS AND BEZELS TO BODY (ALTERNATE SCREW #4 x 5/8 FLAT HEAD THREAD CUTTING SCREWS CAN BE SUBSTITUTED) RECOMMEND INSERTION TORQUE 6-8 in-lbs.

ALL DIMENSIONS HAVE ±.015 TOLERANCE UNLESS OTHERWISE SPECIFIED



DETAIL C

PART No.	EXTERNAL		INTERNAL CLEARANCE	
	A	B	C	
EX-4521	5.38	5.14	4.82	
EX-4522	6.96	6.72	6.40	
EX-4523	9.32	9.08	8.76	