

SECTION A-A




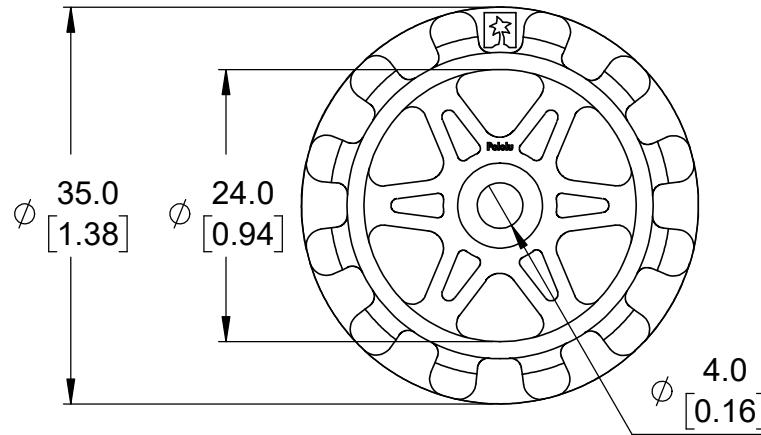
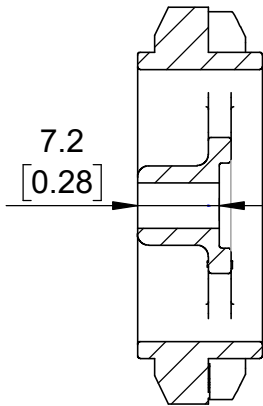
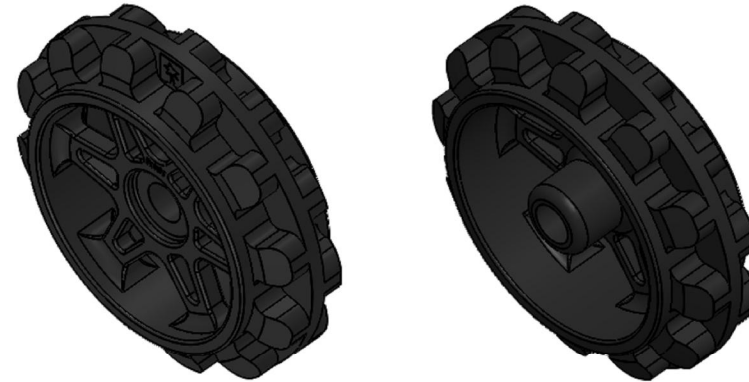
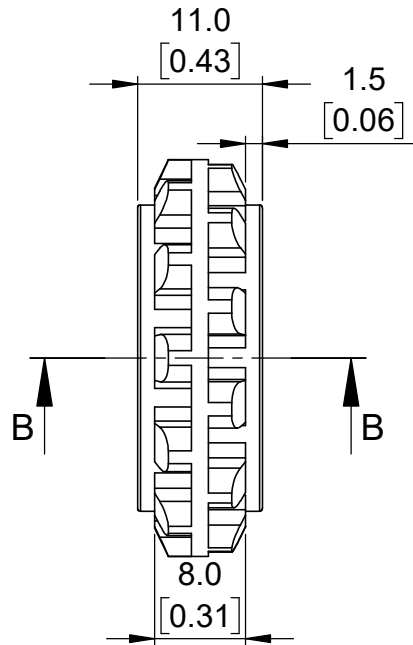
1. Designed to fit Pololu gearmotors with 3mm D-shafts.

2. To get the specified scale, select 100% in print settings.

Scale: 3:2


<https://www.pololu.com/product/3030>

Name: Pololu Track Set Drive Sprocket		Item number: 3030-3035, 3128, 3129
Drawing date: 15 September 2017	Dev code: w3d02b	 <b>Pololu</b> Robotics & Electronics © 2017 Pololu Corporation
Units: mm [in]	Material: ABS plastic	



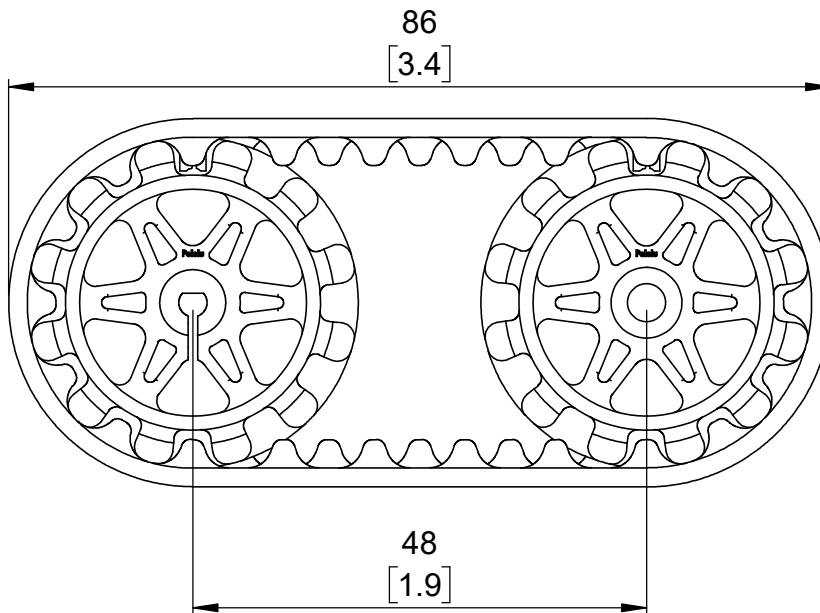
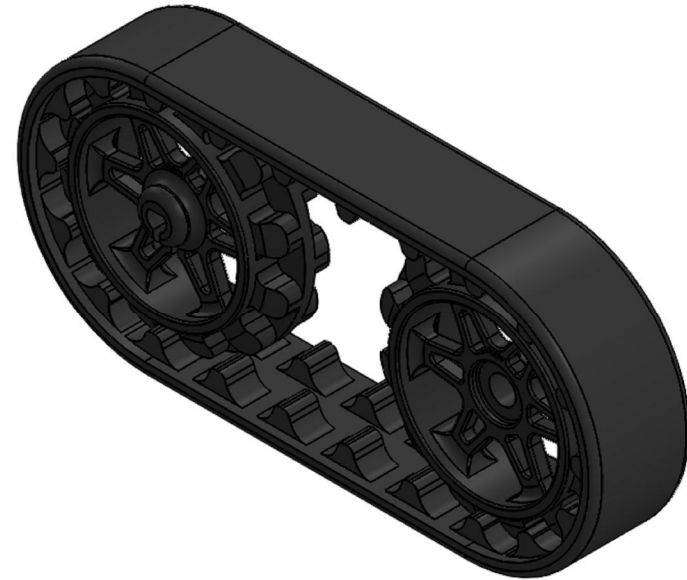
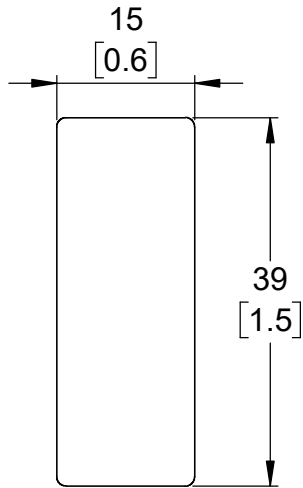
SECTION B-B

<https://www.pololu.com/product/3030>

Name: Pololu Track Set Idler Sprocket		Item number: 3030-3035, 3128, 3129
Drawing date: 15 September 2017	Dev code: w3r01b	 <b>Pololu</b> Robotics & Electronics © 2017 Pololu Corporation
Units: mm [in]	Material: ABS plastic	

1. To get the specified scale, select 100% in print settings.

Scale: 3:2



1. To get the specified scale, select 100% in print settings.

Scale: 5:4

<https://www.pololu.com/product/3030>

Name:  
Pololu 22T Track Set

Item number:  
3030-3032

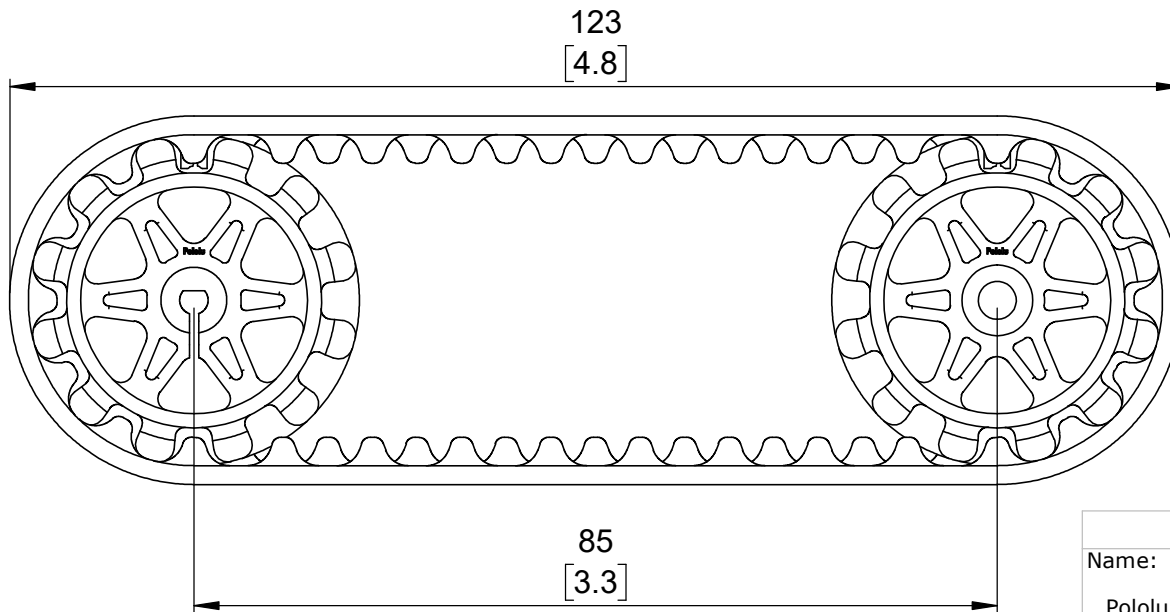
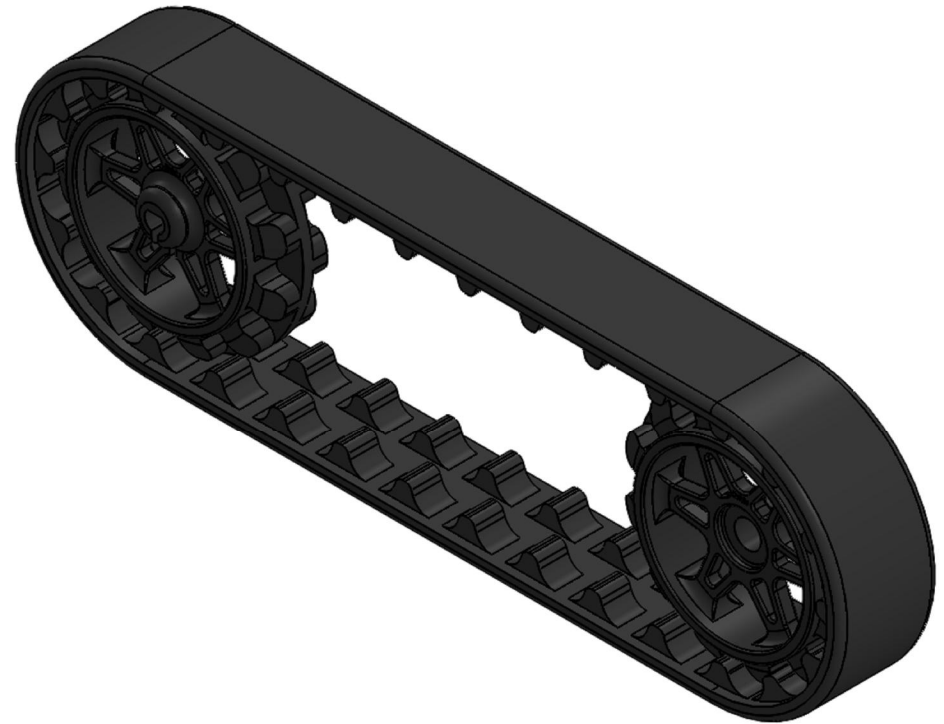
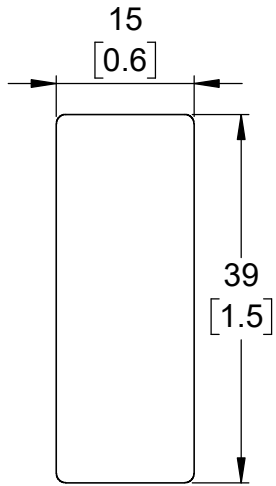
Drawing date:  
15 September 2017

Dev code:  
—

Units: mm  
[in]

Material:  
Mixed

 **Pololu**  
Robotics & Electronics  
© 2017 Pololu Corporation



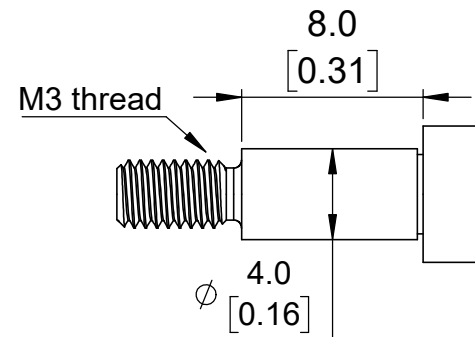
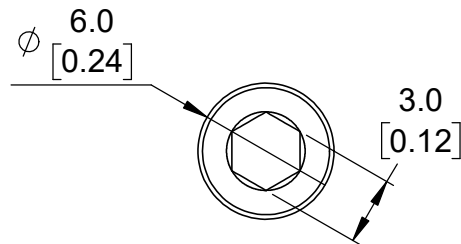
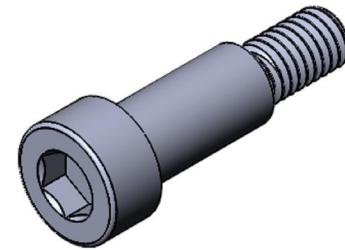
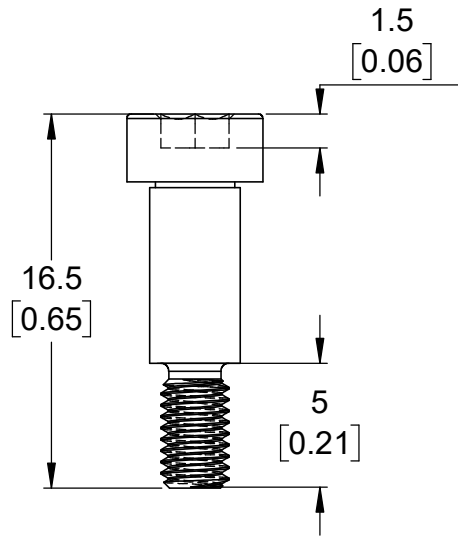
<https://www.pololu.com/product/3033>

Name: Pololu 30T Track Set		Item number: 3033-3035	
Drawing date: 15 September 2017		Dev code: —	
Units: mm [in]	Material: Mixed		



1. To get the specified scale, select 100% in print settings.


Scale: 5:4

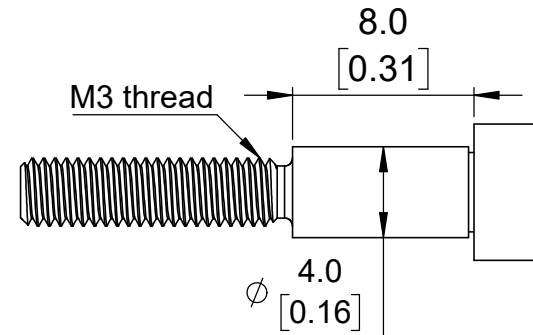
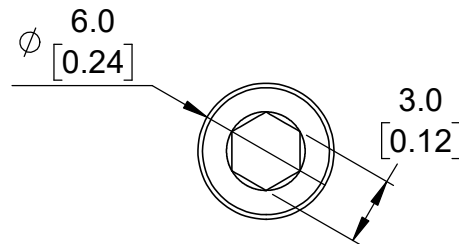
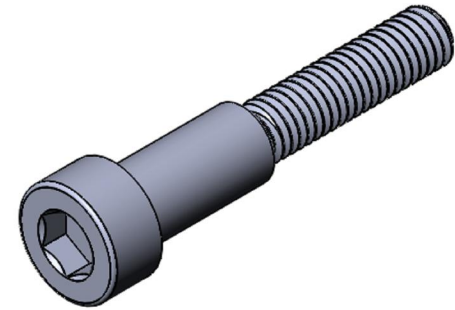
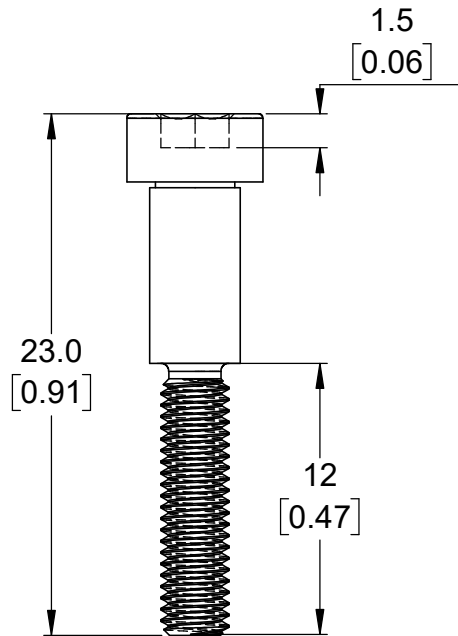


1. To get the specified scale, select 100% in print settings.

Scale: 3:1

<https://www.pololu.com/product/3030>

Name: Pololu Track Set Shoulder Bolt with Short Threads		Item number: 3030-3035
Drawing date: 15 September 2017	Dev code: shb01b	 <b>Pololu</b> Robotics & Electronics © 2017 Pololu Corporation
Units: mm [in]	Material: zinc-plated steel	



1. To get the specified scale, select 100% in print settings.

Scale: 3:1

<https://www.pololu.com/product/3030>

Name:  
Pololu Track Set Shoulder Bolt with  
Long Threads

Item number:  
3030-3035

Drawing date:  
15 September 2017

Dev code:  
shb01d

Units: mm [in]  
Material:  
zinc-plated steel

  
Pololu  
Robotics & Electronics  
© 2017 Pololu Corporation