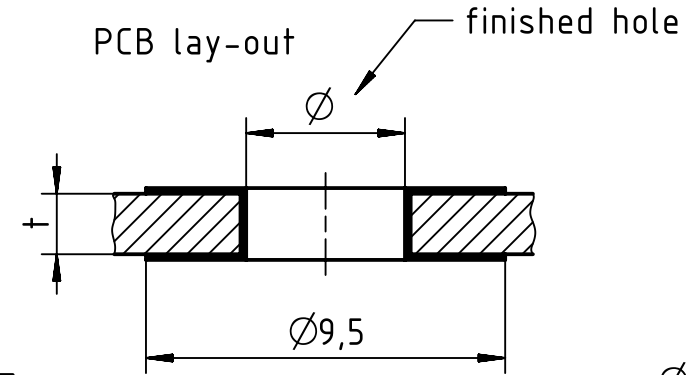
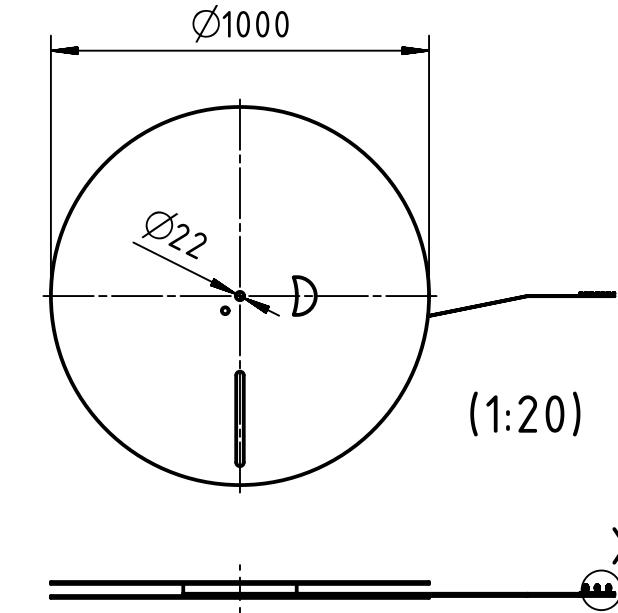


t	∅
1,6-3,2	4,4 <sup>+0,05</sup> <sub>-0,04</sub>

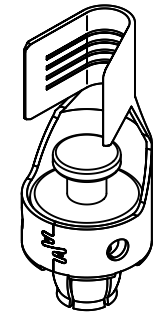
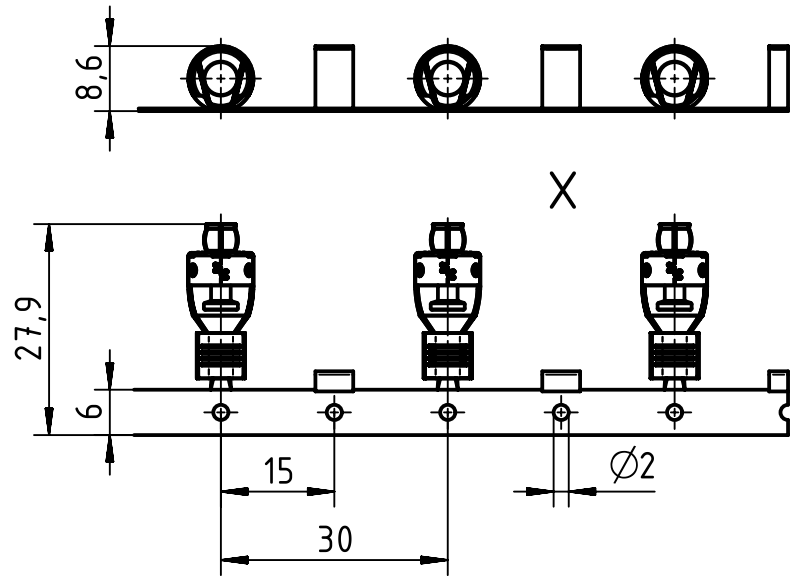
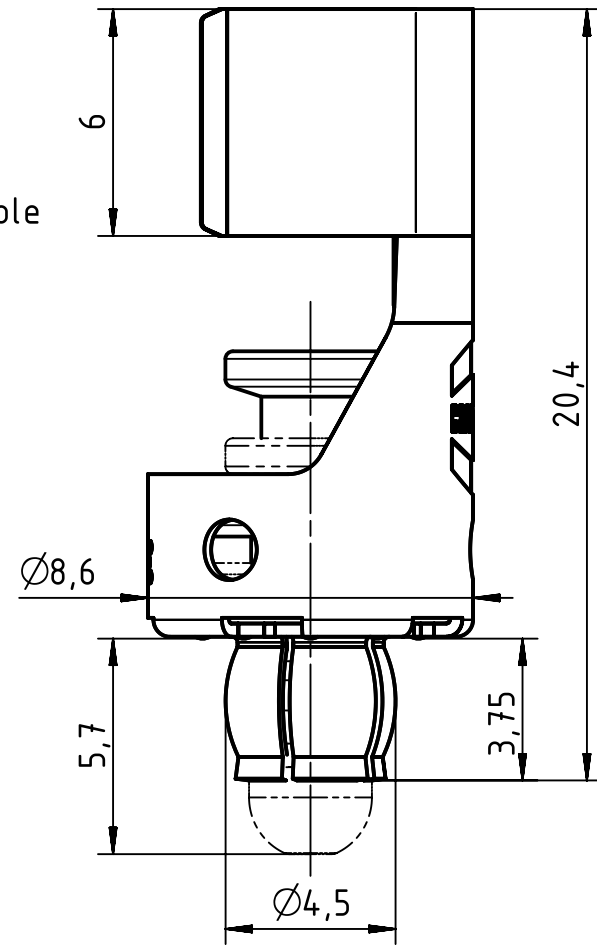
A



B



D



	All rights reserved Department EL PD - DE	All Dimensions in mm Original Size DIN A4		Scale 1:1	Free size tol.	Ref.	
		Created by DEIMEL	Inspected by SCHNIEDER	Standardisation TIEMANNA	Date 2016-03-30	State Final Release	
HARTING Electric GmbH & Co. KG D-32339 Espelkamp		Title Han-Fast Lock 10mm <sup>2</sup> m.Pin Ag Ro 2300St.				Doc-Key / ECM-Nr. 100230954/UGD/004/D 500000102451	
		Type TB	Number 09 08 000 6124			Rev. D	Page 1/1