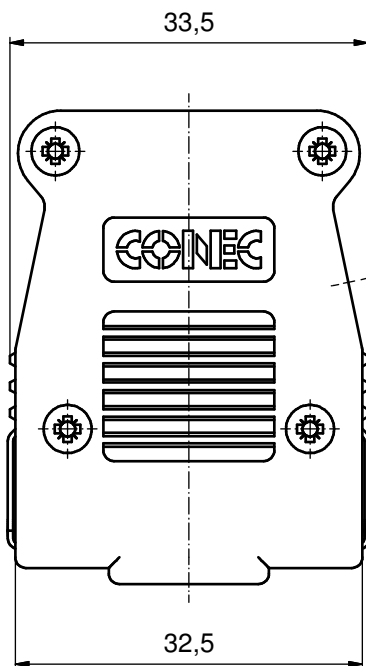
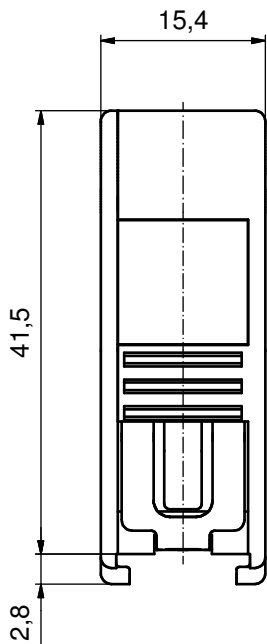
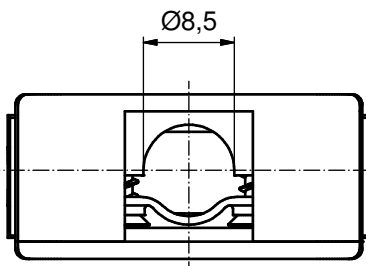
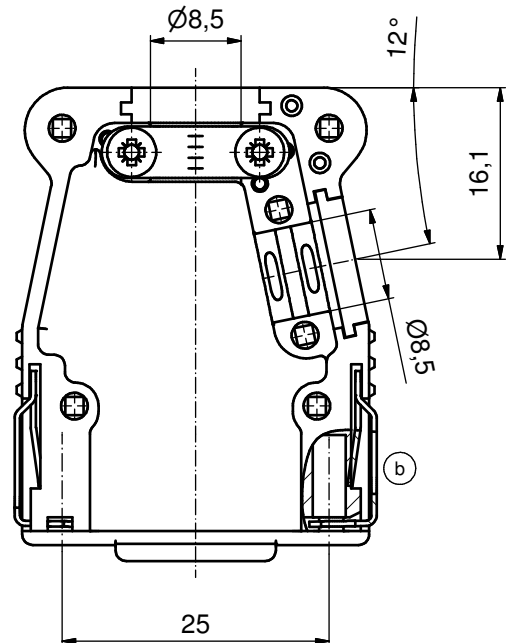


6 5 4 3 2 1



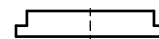
view without cover
(2:1)



COUNTERSUNK HEAD SCREWS
(6x)



CABLE STRAIN RELIEF



BLANKING PLUG



Part-No. Bulk package	Part-No. Single package
16-001810	16-001810E

HOOD ASSEMBLY CONSISTS OF:

- 1. HOOD + COVER: ABS UL 94 V-0; BLACK
- 2. BLANKING PLUGS: ABS UL 94 V-0; BLACK
- 3. CABLE STRAIN RELIEF: STEEL; NICKEL PLATED
- 4. CLIP: STAINLESS STEEL
- 5. COUNTERSUNK HEAD SCREWS: STEEL; NICKEL PLATED

A

THIS DRAWING MAY NOT BE COPIED OR REPRODUCED IN ANY WAY, AND MAY NOT BE PASSED ON TO A THIRD PARTY WITHOUT WRITTEN PERMISSION. OWNERSHIP AND COPYRIGHT OF CONEC GmbH DO NOT ALTER CAD DRAWING BY HAND	tolerance		dim. in mm		scale: 2:1	
					material: see drawing	
			date		name	
			drawn 12.11.12		Strakerjahn	
			appd. 26.03.14		Koch	
		norm				
2 x c	Ä5619	22.04.2015	K.H.	d-old	SK0823Y1	
3 x b	Ä5357	24.09.2014	K.H.			
a	Original					
rev.	description	date	name			
title:					Plastic Hood 9pos with Snap Lock / top and side cable exit	
dwg no:					16K1A3133	
part no:					(c) (b) SEE TABLE	
					DIN-A3 sh: 1	

RoHS compliant

6 5 4 3 2 1