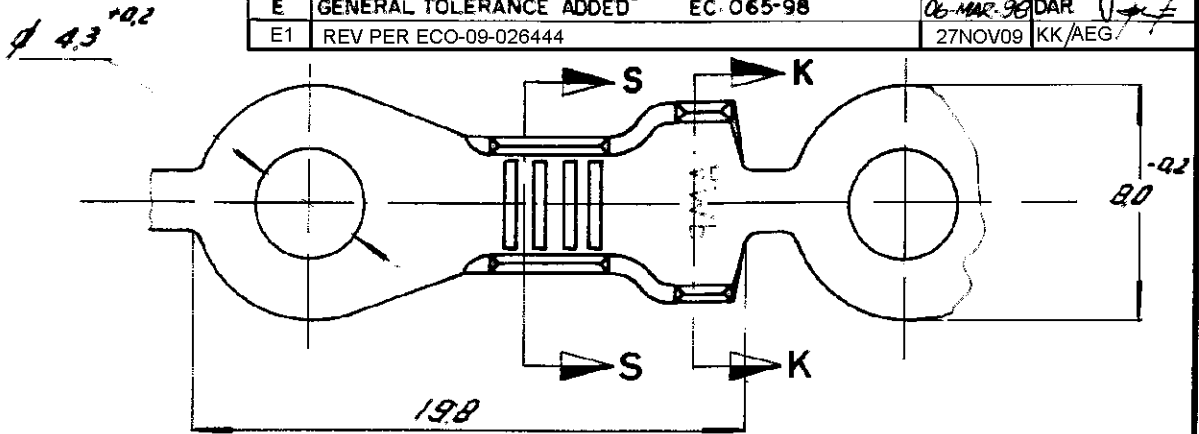


© Copyright 1975 by AMP DO BRASIL S. P. All International Rights Reserved. AMP Incorporated products covered by U. S. and Foreign patents and/or patents pending.

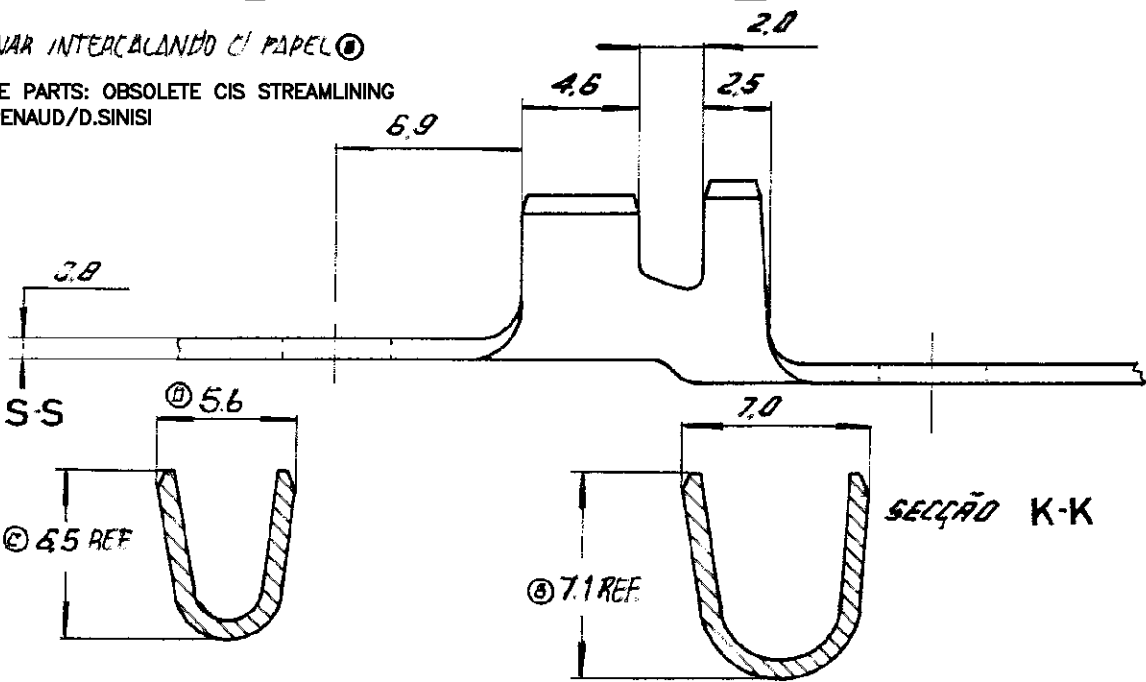
REVISIONS			
LTR	DESCRIPTION	DATE	APPROVED
A	REDESINHADO	10/07/75	
B	DIMENSÃO 7.1 REF ERA 7.4 ± 0.3	14-03-89	PF
C	DIMENSÃO 6.5 REF ERA 6.2	14-03-89	PF
D	DIM. 5.6 ± 0.3 ERA 5.3 ± 0.3 - ADICIONADO - 3 E NOTA Δ	14-03-89	PF
E	GENERAL TOLERANCE ADDED EC-065-98	06-MAR-98	DAR
E1	REV PER ECO-09-026444	27NOV09	KK/AEG



NOTAS:

1 REBOBINAR INTERCALANDO O PAPEL ①

2 OBSOLETE PARTS: OBSOLETE CIS STREAMLINING PER D.RENAUD/D.SINISI



PART NO

UNLESS OTHERWISE SPECIFIED DIMENSIONS ARE IN INCHES. TOLERANCES ON DECIMALS: ± 0.3 ANGLES: 1	CONTACT NO	TOLERANCE		AMP DO BRASIL São Paulo Brasil
	DR	AMP		
MATERIAL LATÃO	CHK	NAME RING TONGUE		
	APPD	SIZE	LOC	DRAWING NO
FINISH -1 -2 ESTANHADO -3 ESTANHADO Δ ① ②	APPD	A	AP.	626035
	WIRE RANGE 4.6 mm ²	SCALE	4:1	SHEET 1 DE 1 REV E1
INSULATION RANGE 32-5.3 mm				