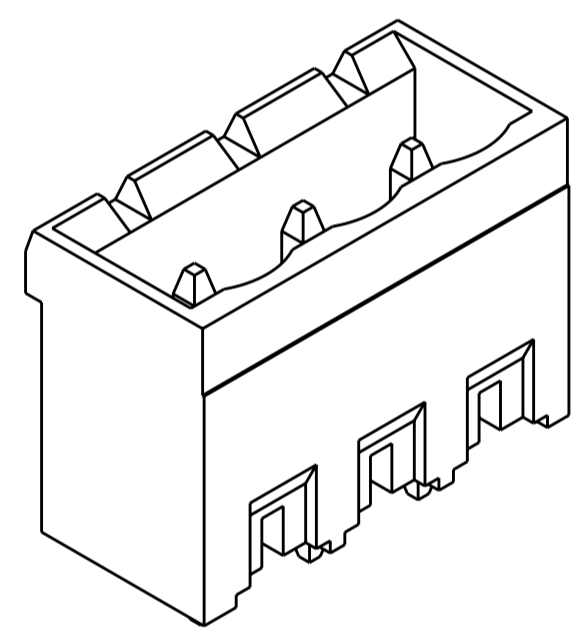
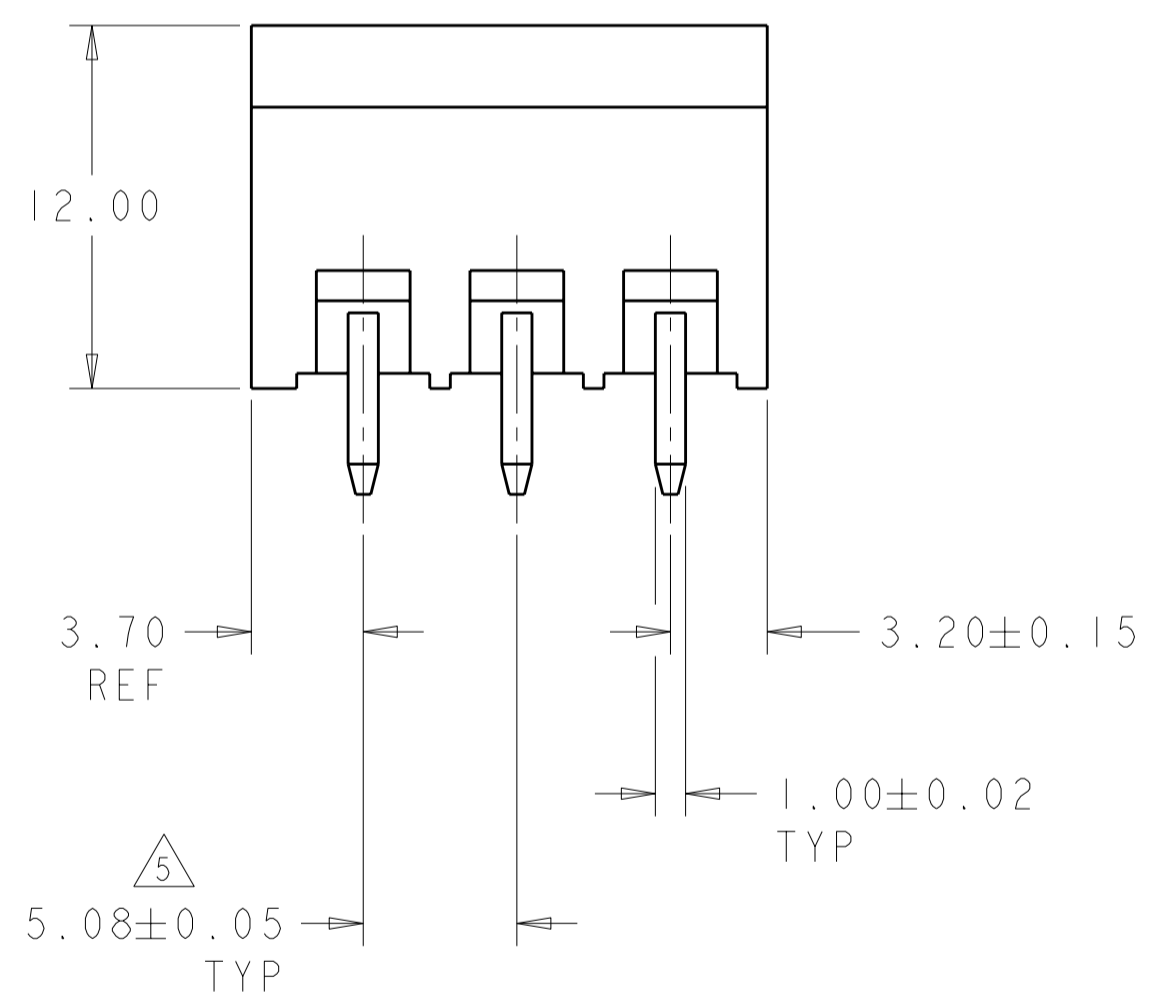
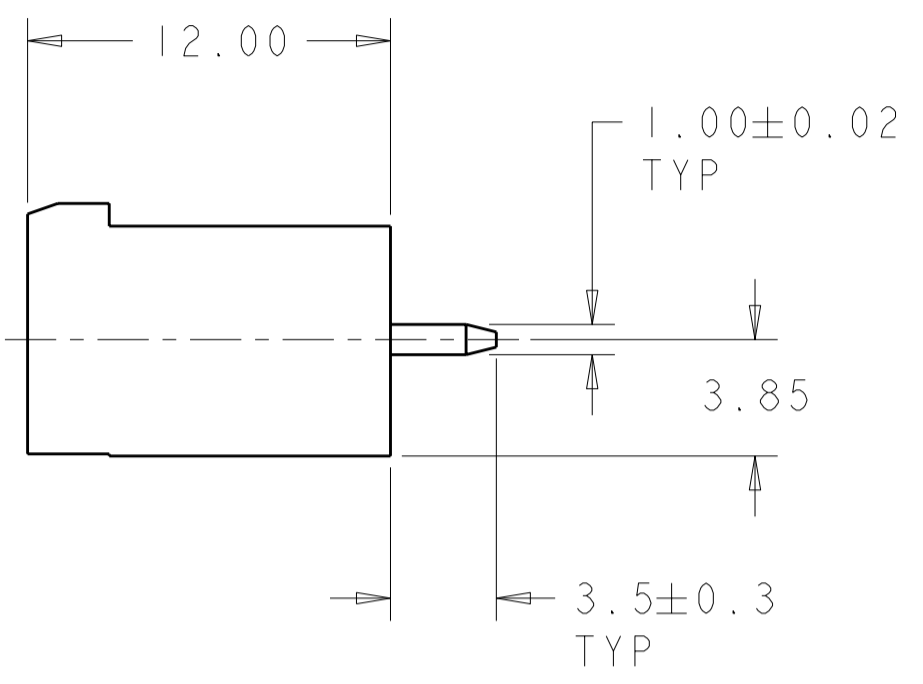
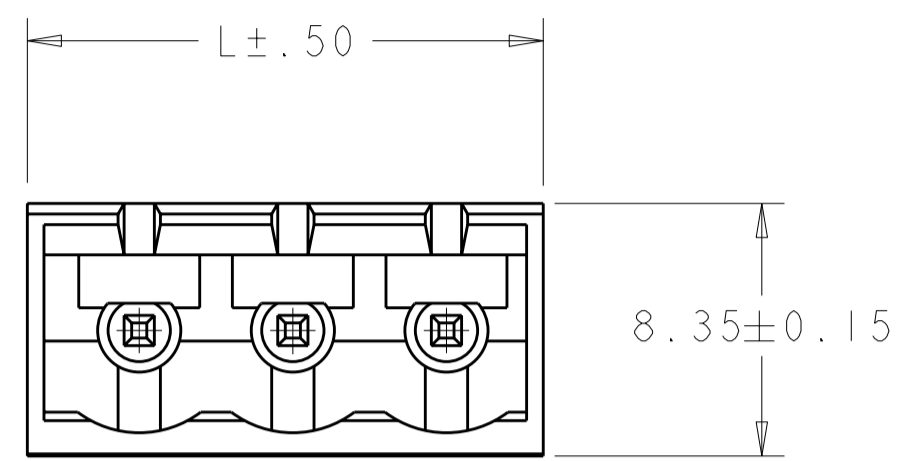


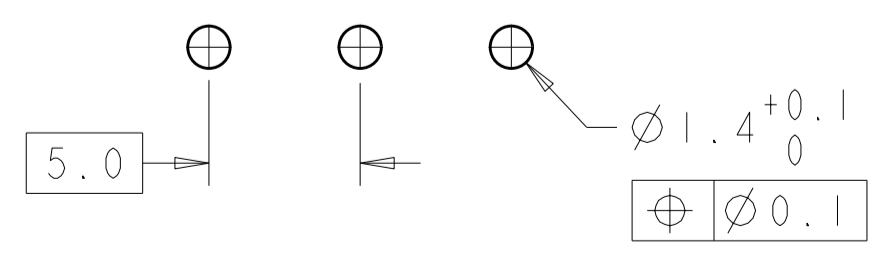
THIS DRAWING IS UNPUBLISHED. RELEASED FOR PUBLICATION 20  
 © COPYRIGHT 20 Tyco Electronics AMP GmbH ALL RIGHTS RESERVED.

LOC	DIST	REVISIONS			
P	LTR	DESCRIPTION	DATE	DWN	APVD
FT	0	AI	REVISED PER ECO-12-007964	02MAY2012	KH MS



1546882-3 AS SHOWN

- 1. MATERIALS AND FINISH:  
 HOUSING: PA 6-6, UL 94-V0, COLOR: ORANGE.  
 TERMINAL: COPPER ALLOY, TIN PLATED.
- 2. SUITABLE FOR 1,6-2, 4mm PC BOARD THICKNESS.
- 3. RECOGNIZED UNDER THE COMPONENT PROGRAM OF UNDERWRITERS LABORATORIES INC. FILE N° E60677.
- 4. IMQ CERTIFICATE WITH SURVEILLANCE IN CONFORMITY WITH IEC 998-1/998-2-1.)
- 5. NOT CUMULATIVE TOLERANCE



RECOMMENDED PC BOARD LAYOUT

	DIM L	NO OF POSN	PART NUMBER
	72.94	14	1-1546882-4
PRELIMINARY	37.38	7	1546882-7
PRELIMINARY	32.30	6	1546882-6
	27.22	5	1546882-5
	22.14	4	1546882-4
	17.06	3	1546882-3
PRELIMINARY	11.98	2	1546882-2

THIS DRAWING IS A CONTROLLED DOCUMENT.		DWN S. WELDON 09FEB2004	TE Connectivity	
DIMENSIONS: mm		CHK C. RICHARD 09FEB2004		
TOLERANCES UNLESS OTHERWISE SPECIFIED:		APVD C. RICHARD 09FEB2004	NAME: TERMINAL BLOCK HEADER ASSEMBLY, 180 DEGREE, CLOSED ENDS, 5.08mm PITCH	
0 PLC ±-		PRODUCT SPEC	SIZE: A2	
1 PLC ±0.3		APPLICATION SPEC	CAGE CODE: 00779	
2 PLC ±0.25		WEIGHT	DRAWING NO: 1546882	
3 PLC ±-		RESTRICTED TO	SCALE: 4:1	
4 PLC ±-			SHEET 1 OF 1	
ANGLES ±-			REV AI	
FINISH				