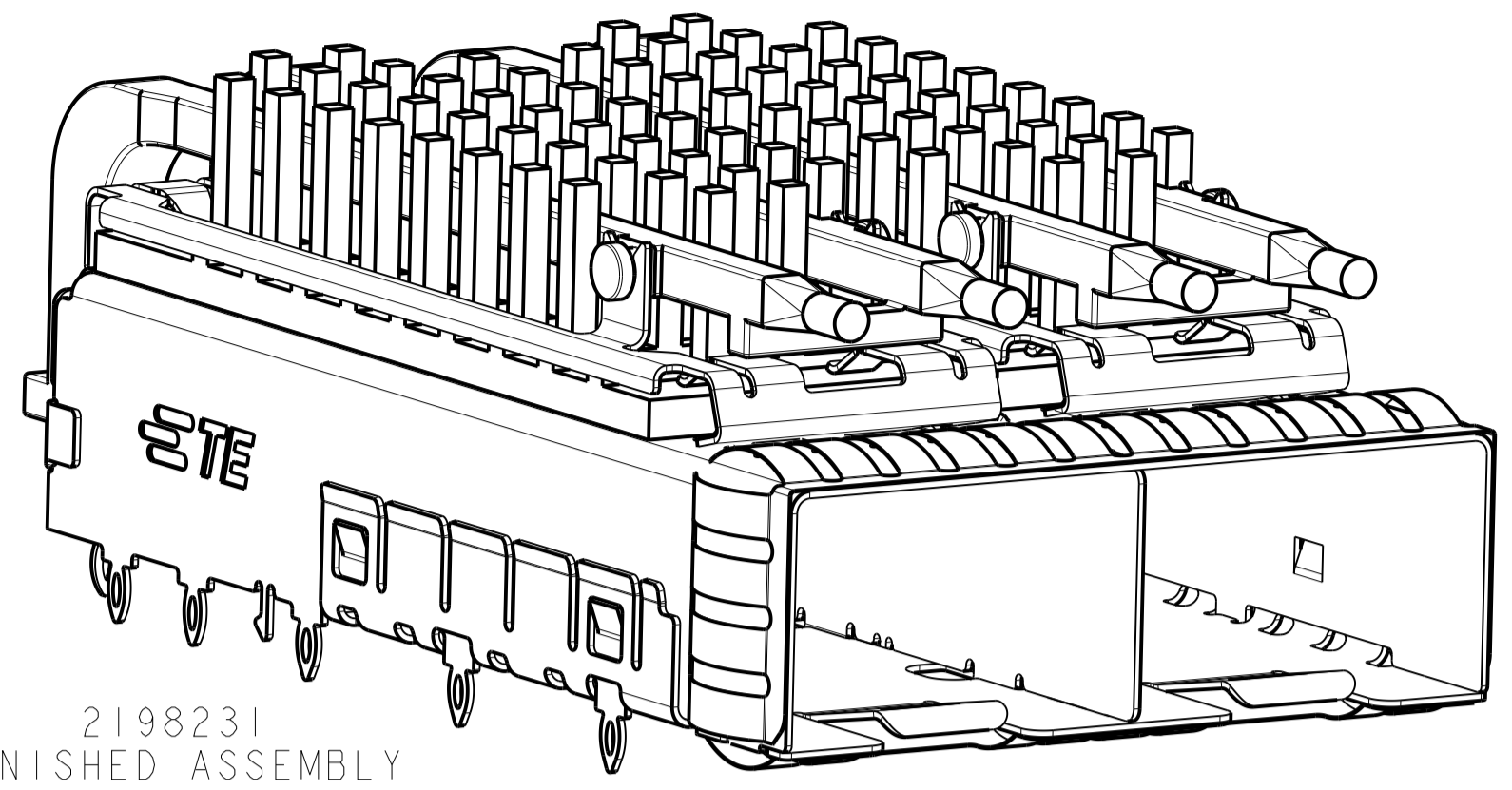


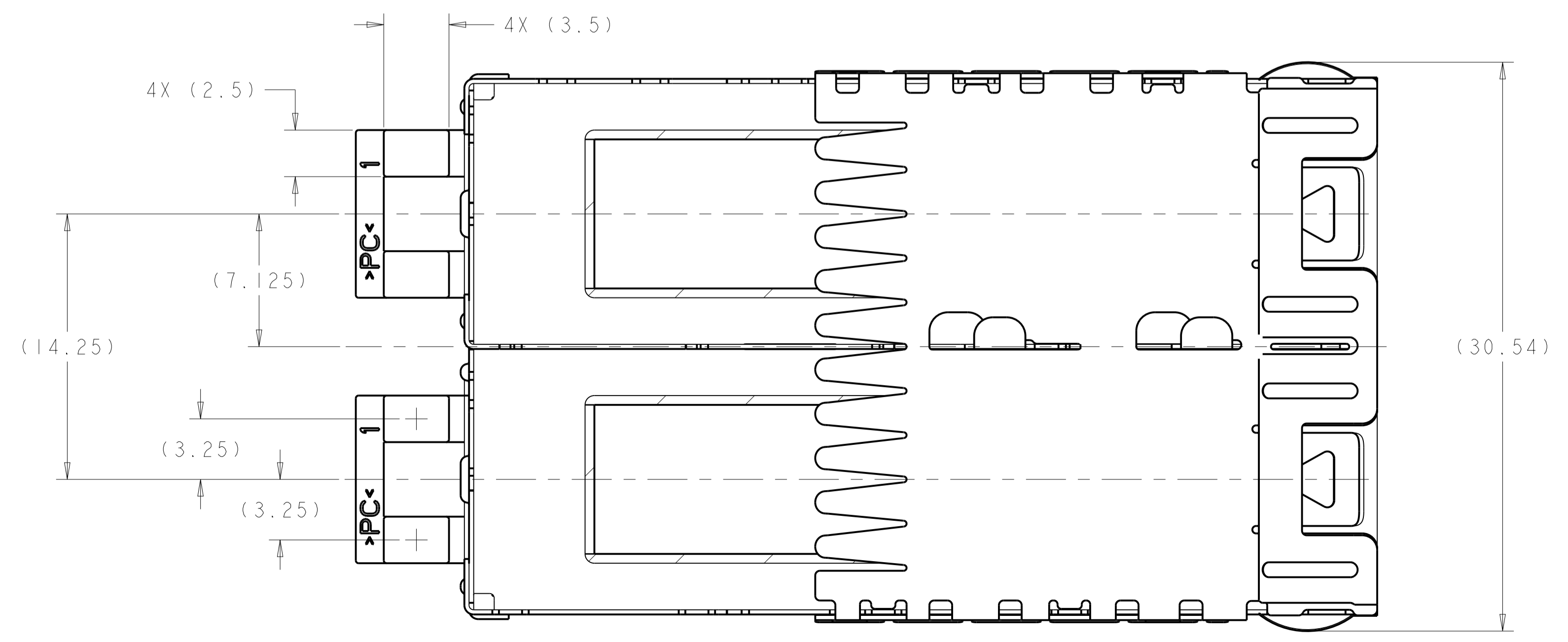
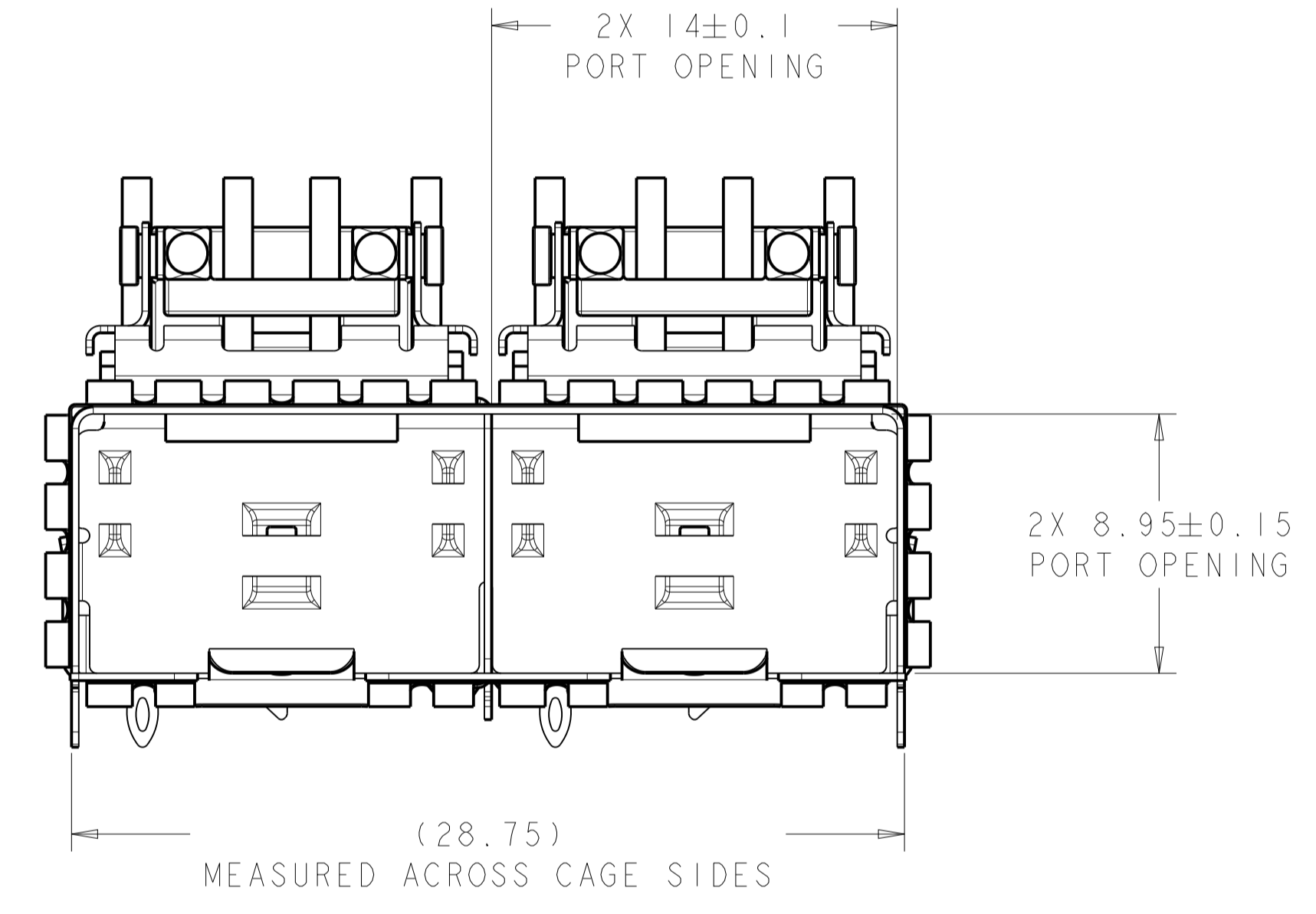
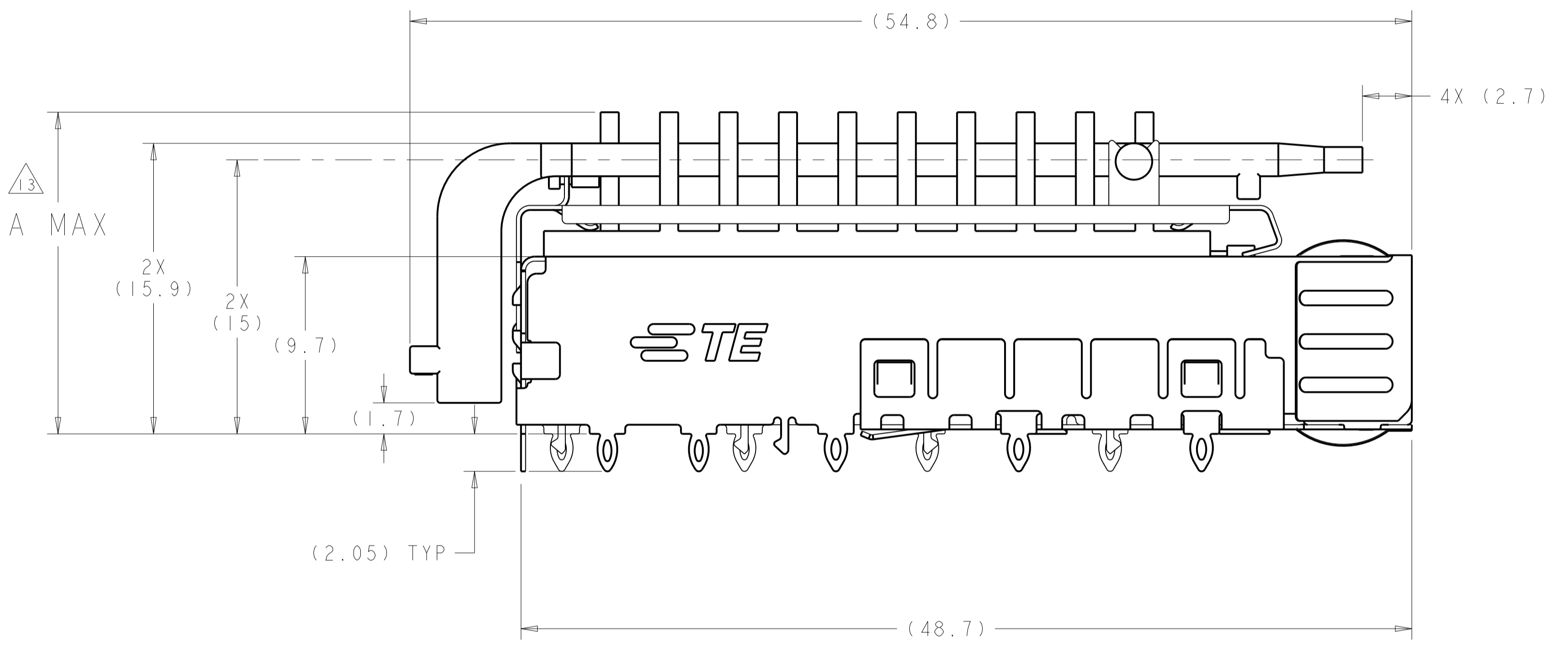
LOC	DIST	REVISIONS					
GP	00	P	LTN	DESCRIPTION	DATE	DWN	APVD
		A		RELEASED PER ECO-12-013192	18OCT2012	BMM	MRS
		A1		RELEASED PER ECO-14-008488	06JUNE2014	PP	SH



2198231  
FINISHED ASSEMBLY  
SCALE 4:1

- 1 MATERIAL:  
CAGE ASSEMBLY: 0.25mm THICK NICKEL SILVER ALLOY  
EMI SPRINGS: COPPER ALLOY  
HEAT SINK: ALUMINUM  
HEAT SINK/LIGHTPIPE CLIP: STAINLESS STEEL.  
LIGHTPIPE: POLYCARBONATE, CLEAR
- 2 FINISH:  
SPRINGS: MINIMUM OF 0.8um TIN PLATE OVER MINIMUM OF 0.8um NICKEL UNDERPLATE. NON-PLATED EDGES PERMISSIBLE.  
HEAT SINK: ELECTROLESS NICKEL  
HEAT SINK CLIP: PASSIVATE.
- 3 DATUM AND BASIC DIMENSIONS ESTABLISHED BY CUSTOMER.
- 4 PADS AND VIAS CHASSIS GROUND.
- 5 MATES WITH SFP MSA COMPLIANT RECEIVERS.
- 6 INTERPRETATION OF DATUM REFERENCE FRAME IN ACCORDANCE WITH SECT 4.4.1.1 OR ASME Y14.5M-1994.
- 7 MINIMUM PC BOARD THICKNESS:  
SINGLE SIDED: 1.5mm  
DOUBLE SIDED: 2.25mm
- 8 HOLE PATTERN REPEATS FOR EACH PORT, SPACING BETWEEN PORTS IS 14.25mm.
- 9 REFERENCE APPLICATION SPEC. 114-13120, HOLE A, FOR RECOMMENDED DRILL HOLE DIAMETER AND PLATING THICKNESS.

- 10 REFERENCE APPLICATION SPEC. 114-13120, HOLE B, FOR RECOMMENDED DRILL HOLE DIAMETER AND PLATING THICKNESS.
- 11 CERTAIN MATING TRANCEIVERS MAY REQUIRE ADDITIONAL PCB THICKNESS THAT WOULD NEED TO BE DETERMINED BY THE CUSTOMER.
- 12 PRODUCT COMPLIES WITH SPECIFICATION SFF-8433 IMPROVED PLUGGABLE FORM FACTOR FOR SFP+ GANGED CAGES.
- 13 DIMENSION APPLIES PRIOR TO INSERTION OF SFP MODULE.
- 14 HEATSINK, HEATSINK CLIP, AND LIGHTPIPE SHIPPED UNASSEMBLED TO CAGE ASSEMBLY. CAGE ASSEMBLY TO BE PRESSED INTO PCB PRIOR TO ATTACHING HEATSINK, HEATSINK CLIP, AND LIGHTPIPE TO THE CAGE ASSEMBLY.
- 15 PACKAGED AS A COMPLETE ASSEMBLY.

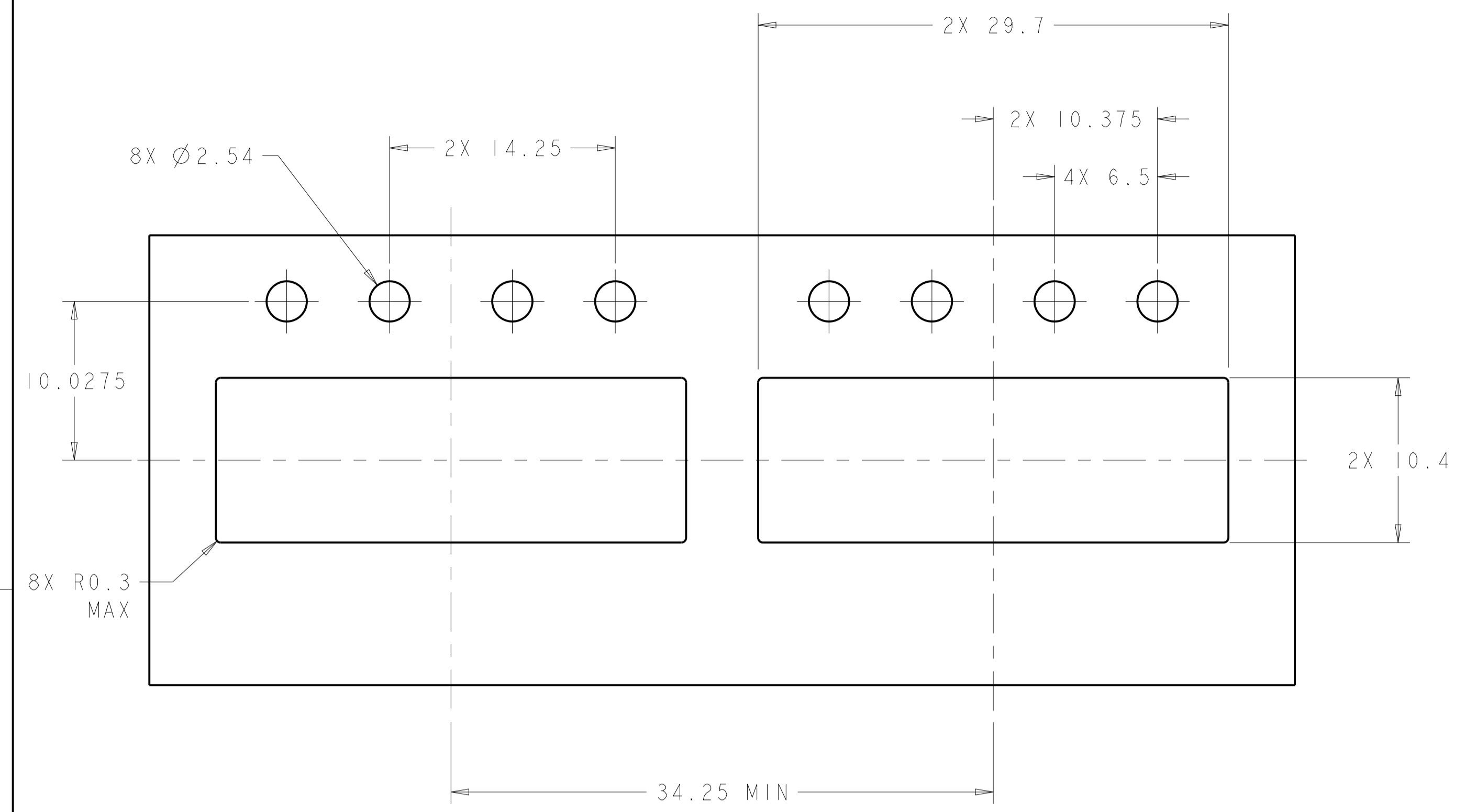


22.5	NETWORKING, TALL	2198231-4
18.1	NETWORKING, SHORT	2198231-3
15.5	SAN	2198231-2
13.2	PCI	2198231-1
A MAX	DESCRIPTION	PART NUMBER

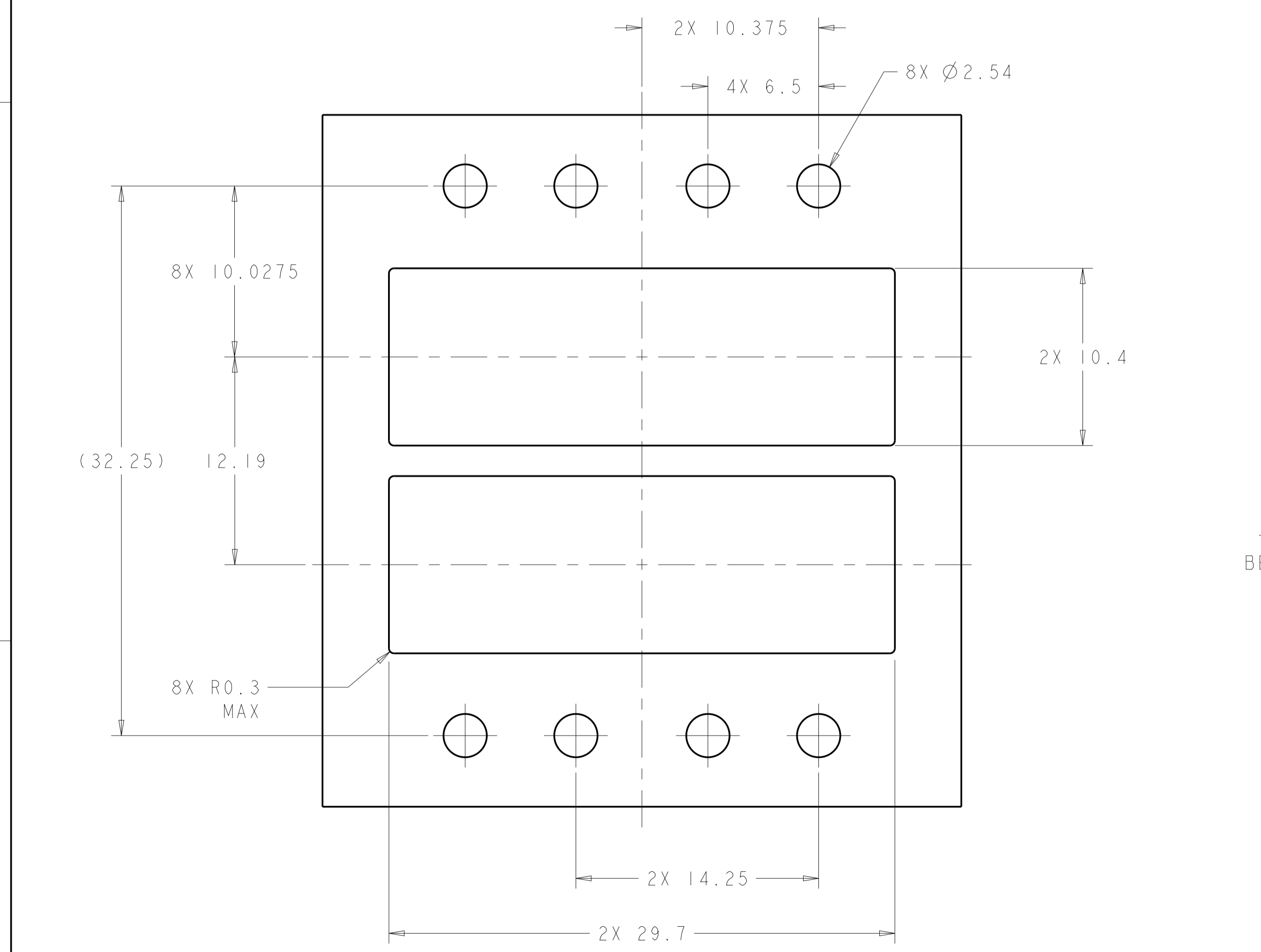
THIS DRAWING IS A CONTROLLED DOCUMENT.		DWN: B. MATTHEWS 15NOV2011	TE Connectivity
DIMENSIONS: mm		CHK: M. SCHMITT 15NOV2011	
TOLERANCES UNLESS OTHERWISE SPECIFIED:		APVD: M. SCHMITT 15NOV2011	NAME: SFP+ ENHANCED 1X2 CAGE ASSEMBLY, PRESS-FIT, EXTERNAL EMI SPRINGS WITH HEATSINK AND LIGHTPIPE PRODUCT SPEC: 108-2364 APPLICATION SPEC: 114-13120 SIZE: CAGE CODE DRAWING NO WEIGHT: - RESTRICTED TO: A100779C=2198231
0 PLC ±0.13		Customer Drawing	
1 PLC ±0.1		SCALE: 5:1	
2 PLC ±0.08		SHEET 1 OF 4	
3 PLC ±0.05		REV: A1	
4 PLC ±0.05			
ANGLES			

LOC	DIST	REV	DATE	BY	APPV
GP	00				

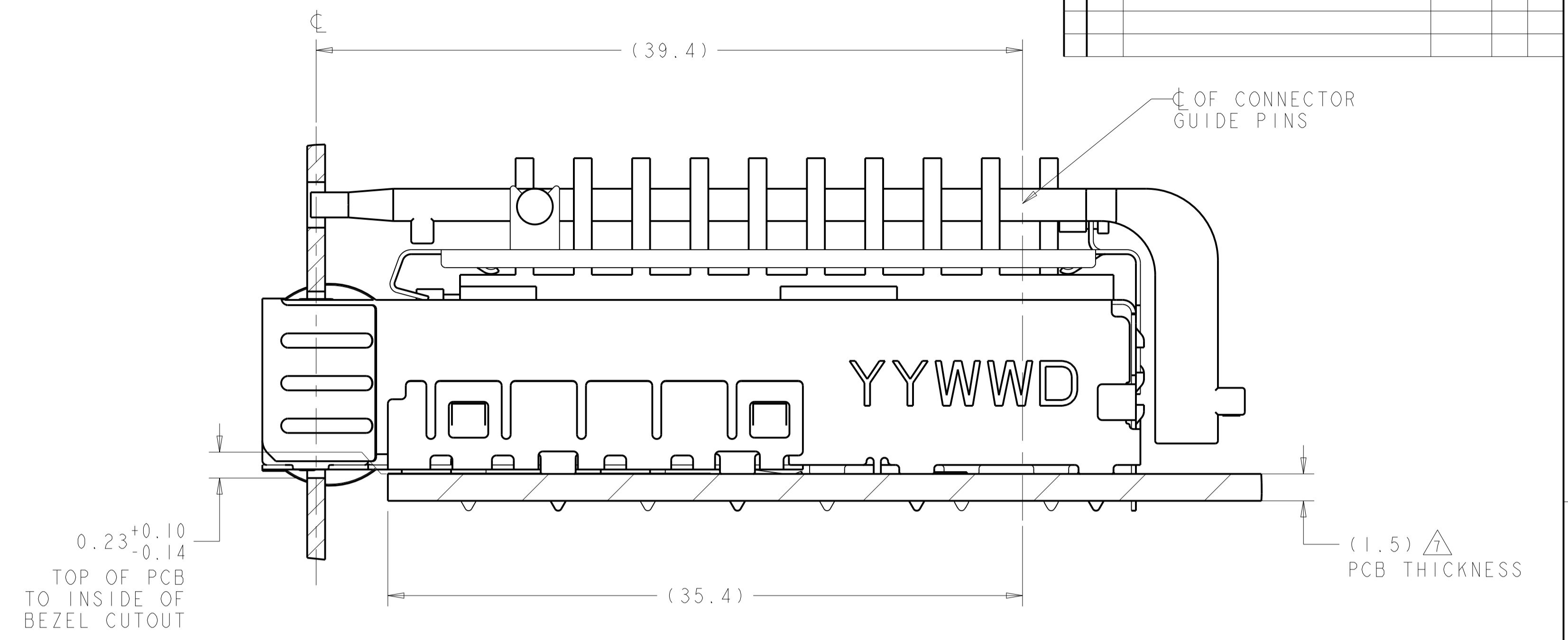
REVISIONS			
NO.	DESCRIPTION	DATE	BY
1	SEE SHEET 1		



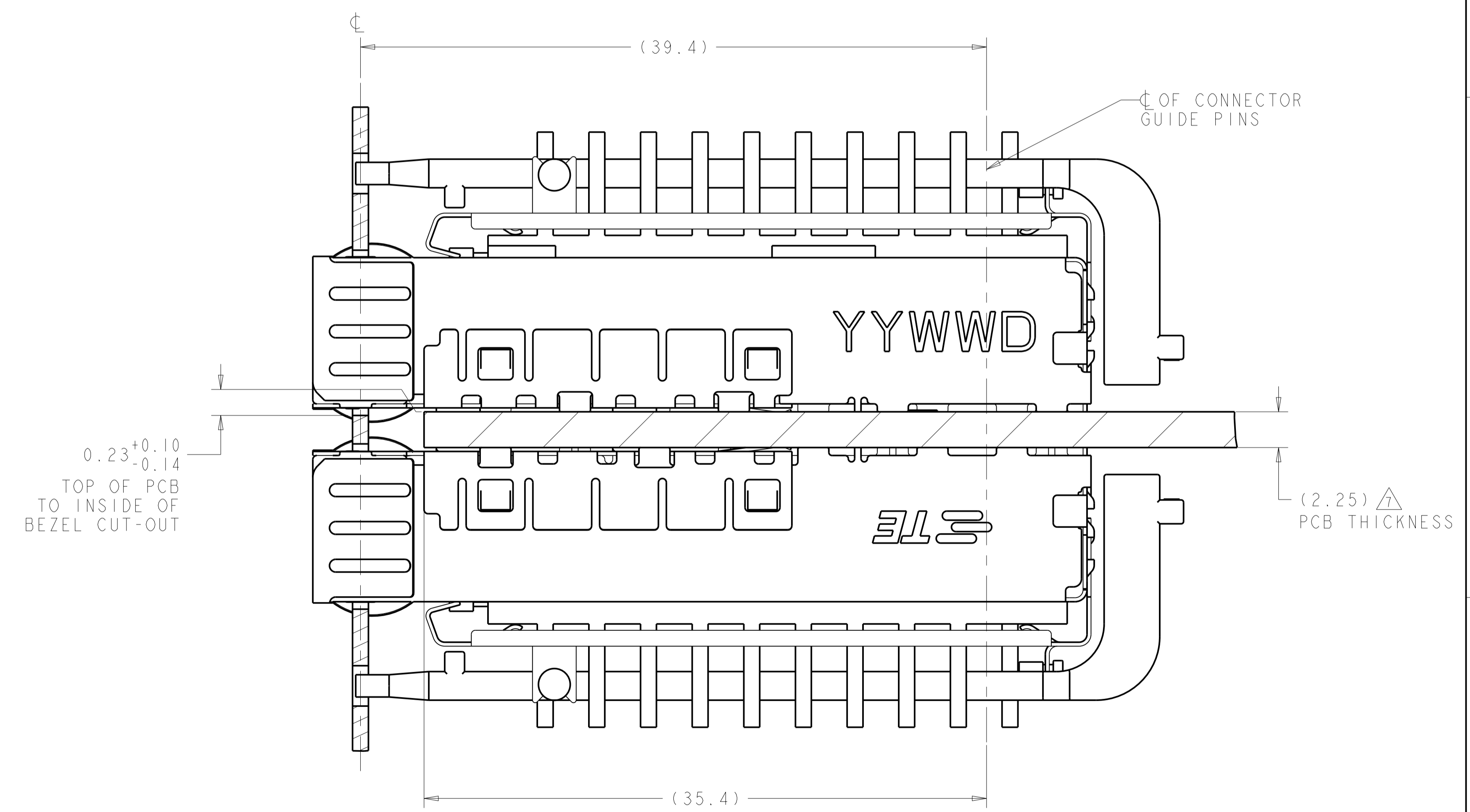
RECOMMENDED BEZEL CUT-OUT  
SINGLE SIDED APPLICATIONS  
SCALE 4:1



RECOMMENDED BEZEL CUT-OUT  
BELLY TO BELLY APPLICATIONS



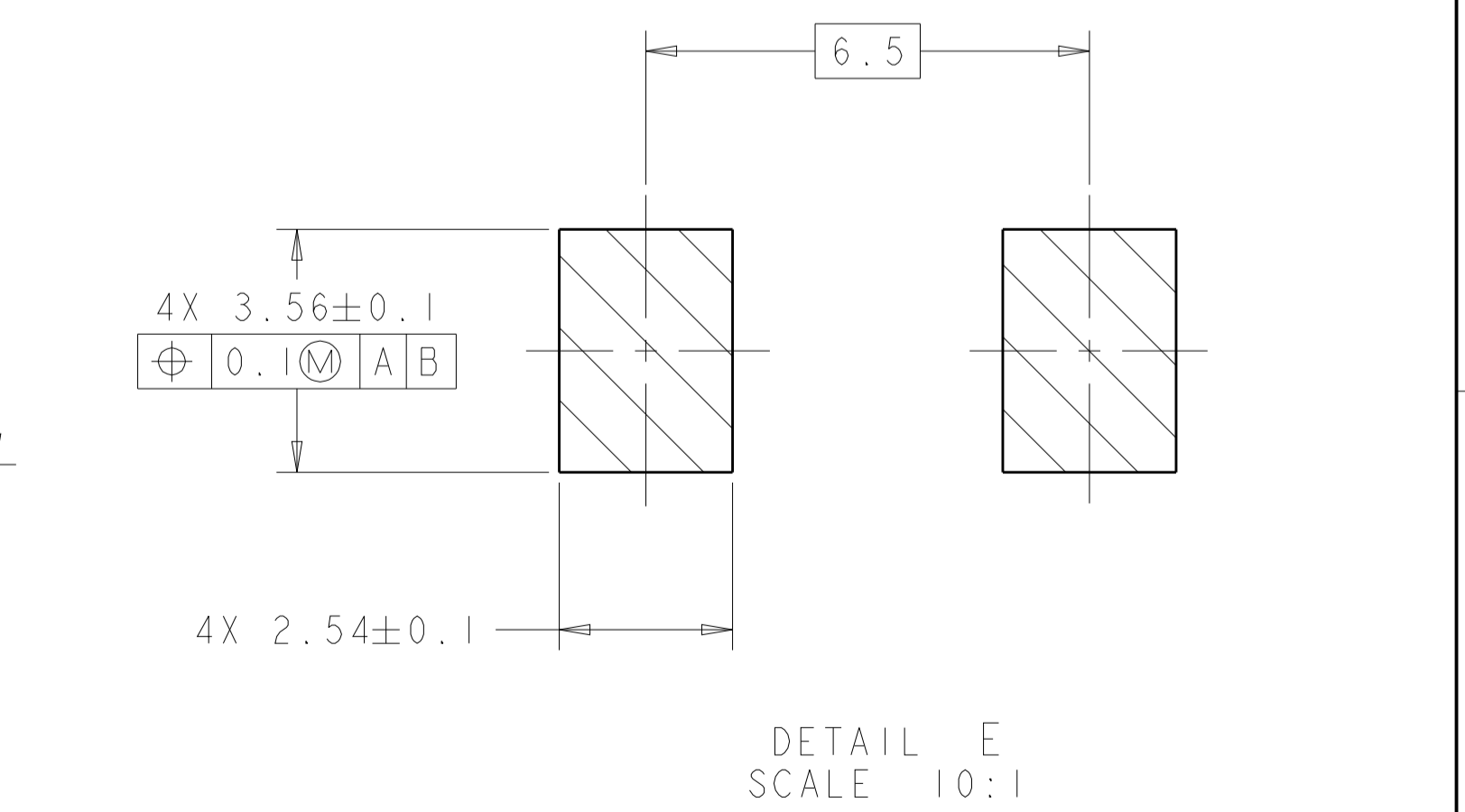
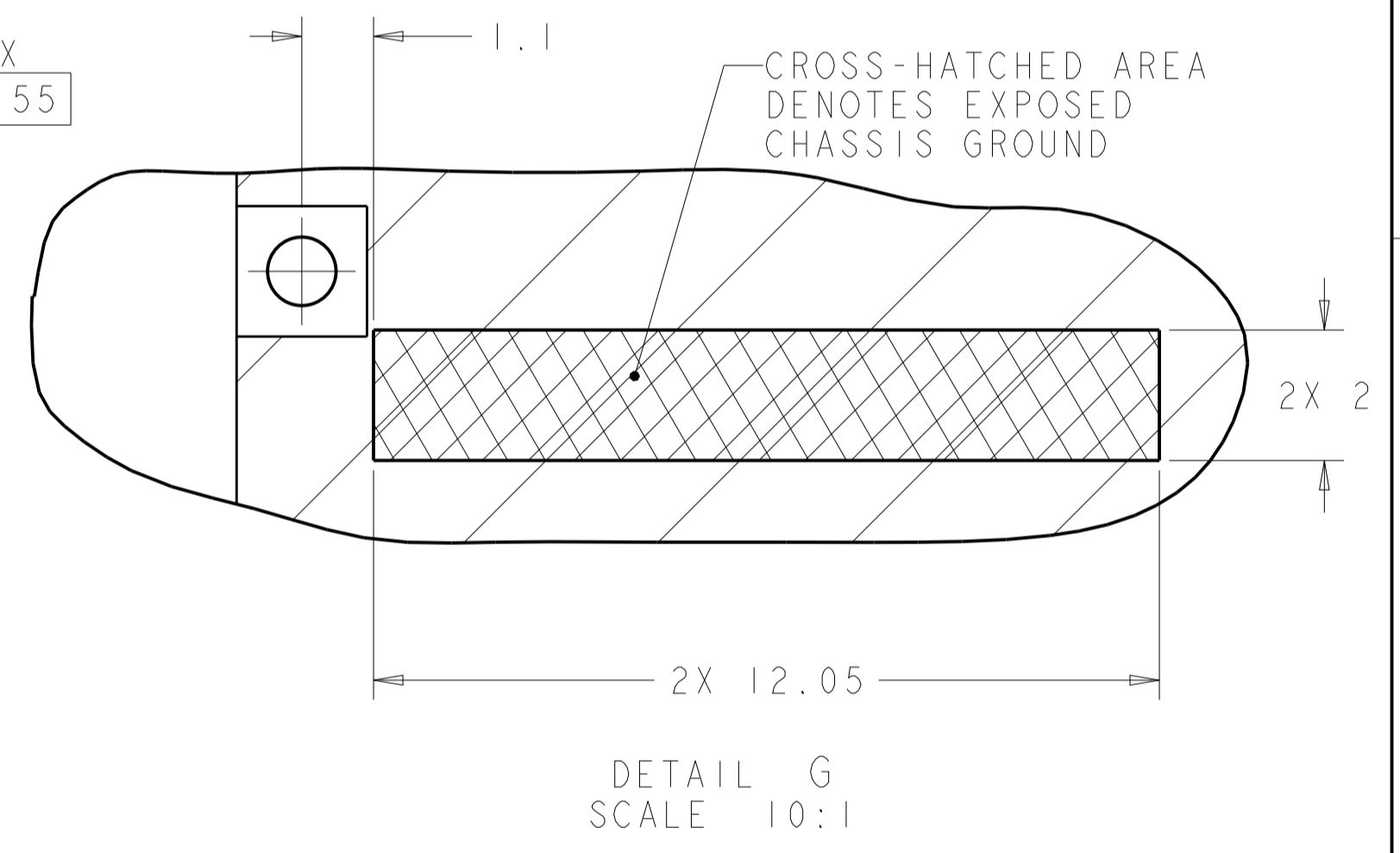
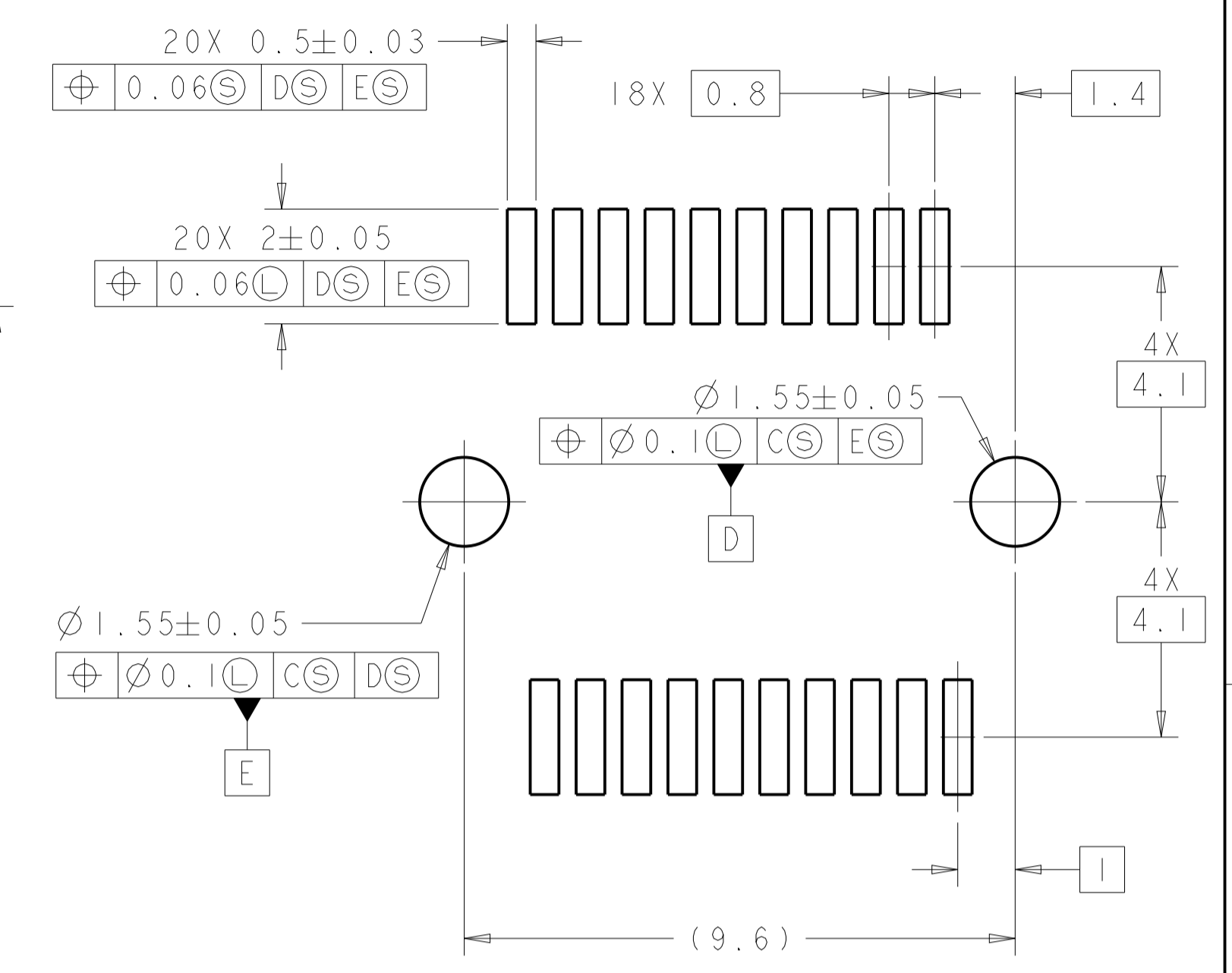
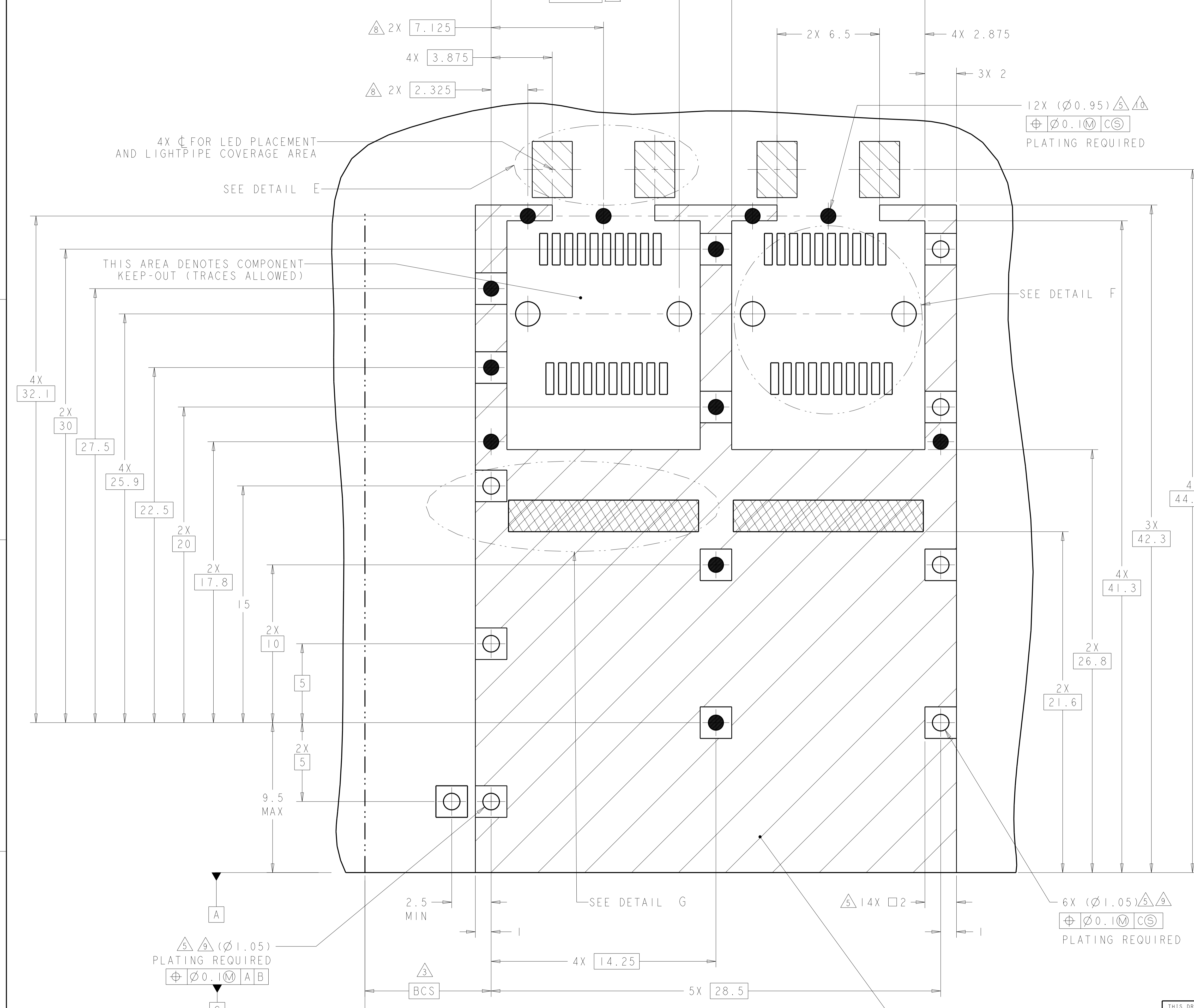
2198231  
MOUNTED ON PC BOARD  
SHOWN THRU RECOMMENDED BEZEL



2198231  
MOUNTED BELLY TO BELLY ON PC BOARD  
SHOWN THRU RECOMMENDED BEZEL

THIS DRAWING IS A CONTROLLED DOCUMENT.		OWN: B. MATTHEWS 15NOV2011	TE Connectivity
DIMENSIONS: mm		CHK: M. SCHMITT 15NOV2011	
TOLERANCES UNLESS OTHERWISE SPECIFIED:		APVD: M. SCHMITT 15NOV2011	NAME: SFP+ ENHANCED 1X2 CAGE ASSEMBLY, PRESS-FIT, EXTERNAL EMI SPRINGS WITH HEATSINK AND LIGHTPIPE PRODUCT SPEC: 108-2364 APPLICATION SPEC: 114-13120 SIZE: A1 CAGE CODE: 100779 DRAWING NO: 2198231 RESTRICTED TO: A1
0 PLC ±0.13		PRODUCT SPEC: 108-2364	
1 PLC ±0.1		APPLICATION SPEC: 114-13120	
2 PLC ±0.08		WEIGHT: -	
3 PLC ±0.05		Customer Drawing	SCALE: 5:1
4 PLC ±0.05			SHEET: 2 OF 4
ANGLES: ±0.5			REV: A1
FINISH: -			

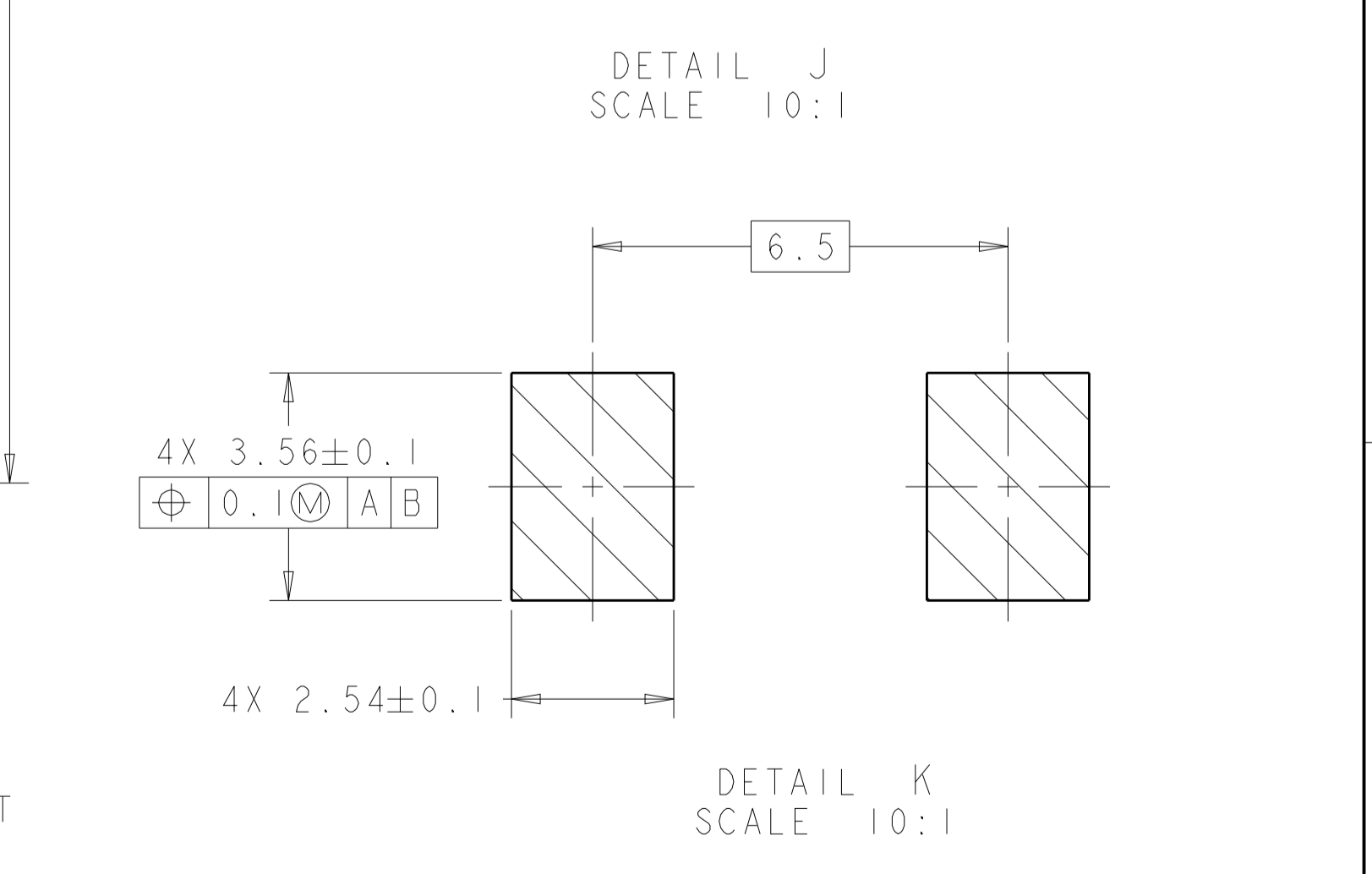
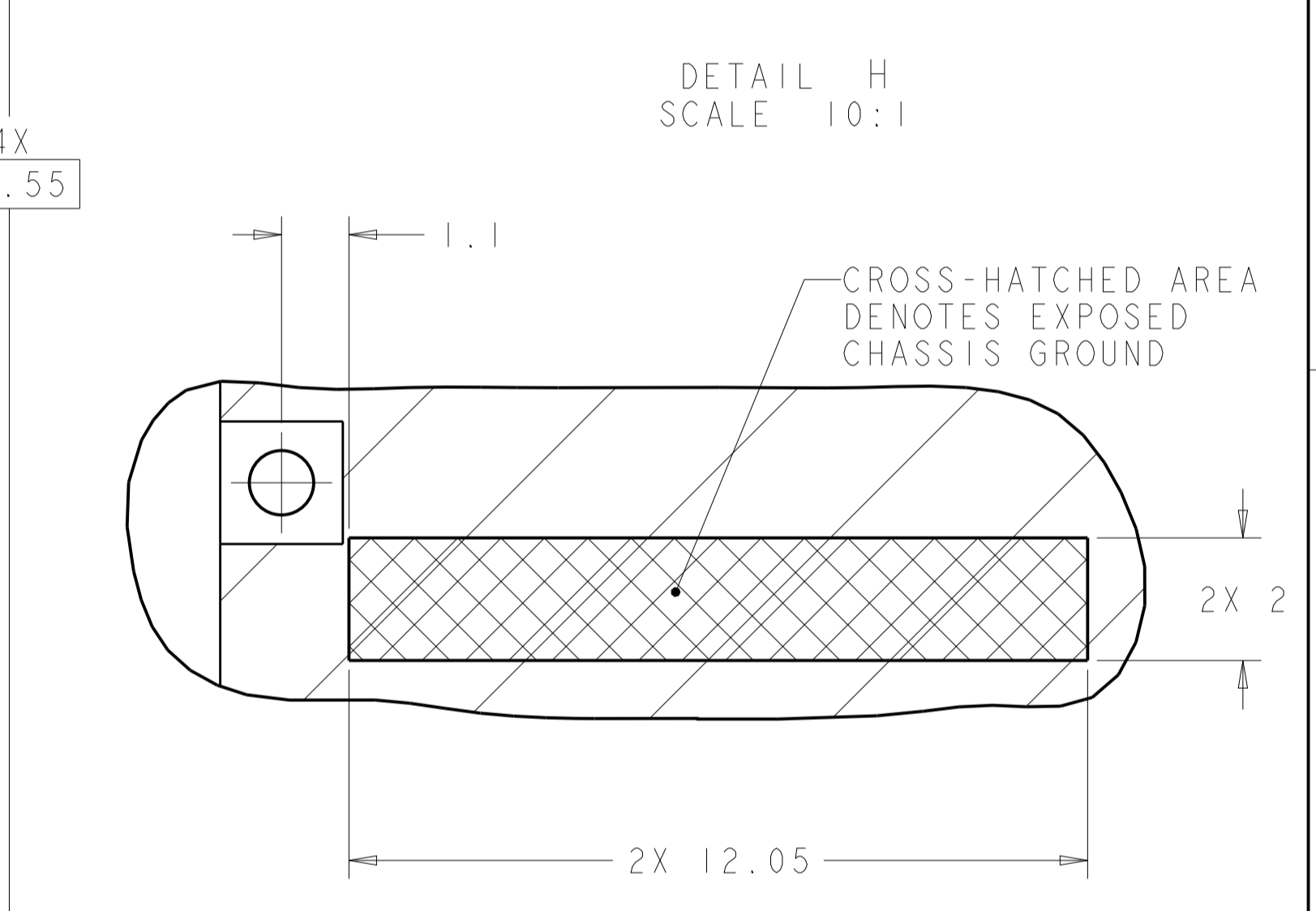
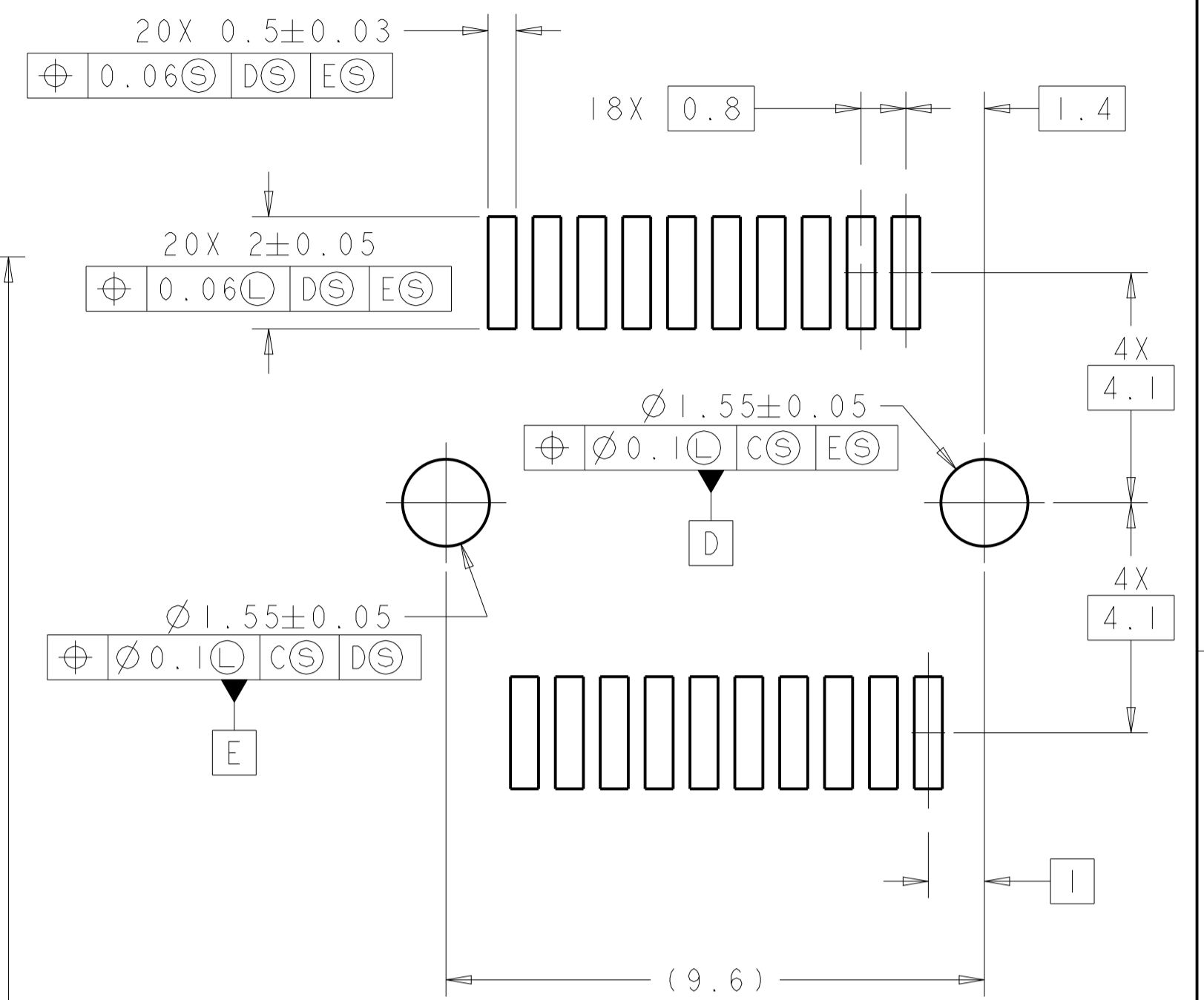
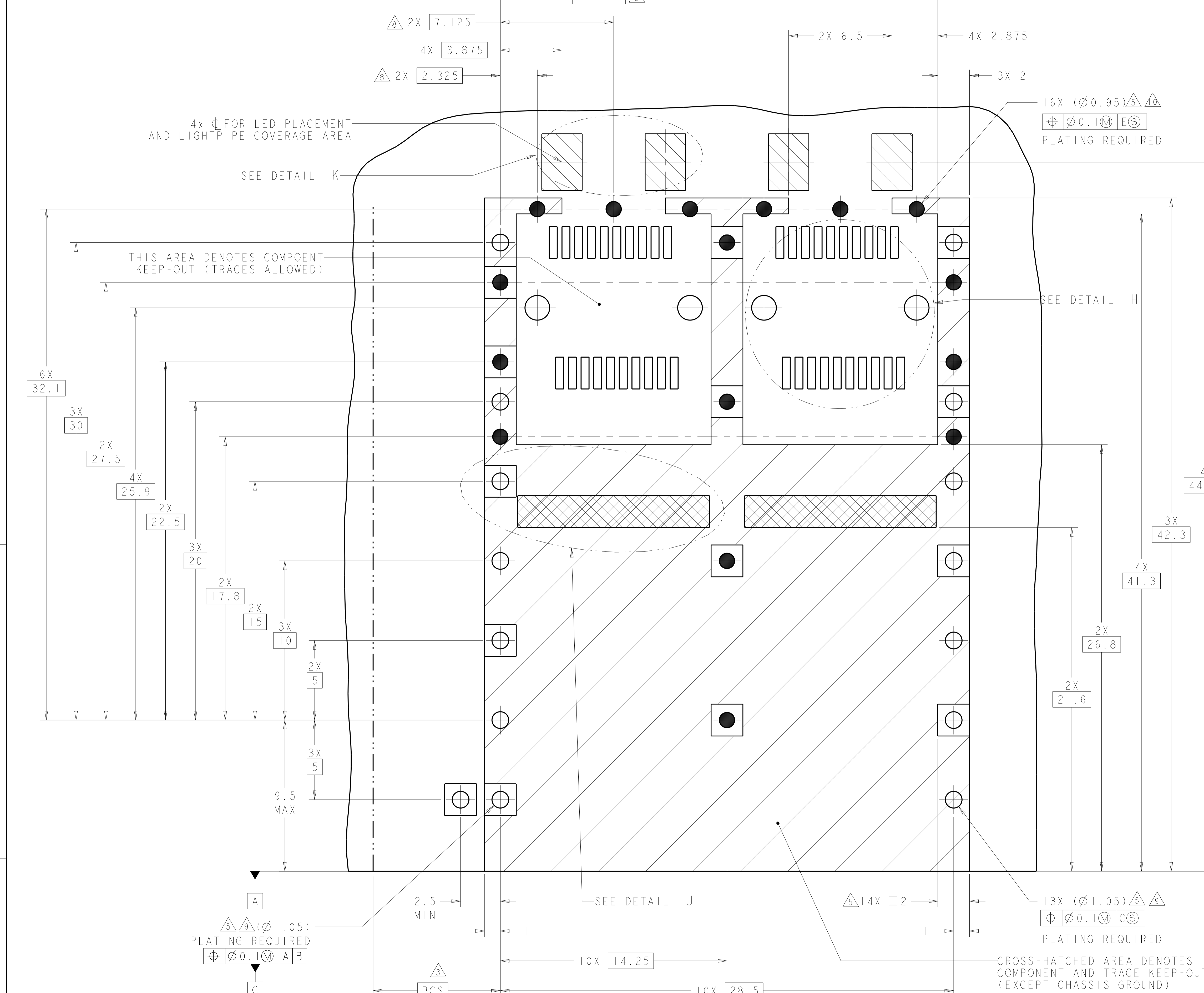
LOC	DIST	REV	DATE	APPV
GP	00			



RECOMMENDED PCB CONFIGURATION WITH KEEP-OUT AREAS SINGLE SIDED APPLICATIONS SCALE 8:1

THIS DRAWING IS A CONTROLLED DOCUMENT.		OWN: B. MATTHEWS 15NOV2011	TE Connectivity NAME: SFP+ ENHANCED 1X2 CAGE ASSEMBLY, PRESS-FIT, EXTERNAL EMI SPRINGS WITH HEATSINK AND LIGHTPIPE PRODUCT SPEC: 108-2364 APPLICATION SPEC: 114-13120 WEIGHT: - MATERIAL: - FINISH: -
DIMENSIONS: mm	TOLERANCES UNLESS OTHERWISE SPECIFIED:	CHK: M. SCHMITT 15NOV2011	
0 PLC ±0.13	1 PLC ±0.1	APV: M. SCHMITT 15NOV2011	SIZE: A1
2 PLC ±0.08	3 PLC ±0.05		CAGE CODE: 2198231
4 PLC ±0.05	5 PLC ±0.05		RESTRICTED TO: -
ANGLES: ALL			SCALE: 5:1 SHEET: 3 OF 4 REV: A1

LOC	DIST	REV	DATE	APPV
GP	00			



4x  $\phi$  FOR LED PLACEMENT AND LIGHTPIPE COVERAGE AREA  
 SEE DETAIL K  
 THIS AREA DENOTES COMPONENT KEEP-OUT (TRACES ALLOWED)  
 SEE DETAIL H  
 CROSS-HATCHED AREA DENOTES EXPOSED CHASSIS GROUND  
 CROSS-HATCHED AREA DENOTES COMPONENT AND TRACE KEEP-OUT (EXCEPT CHASSIS GROUND)  
 PLATING REQUIRED  
 PLATING REQUIRED  
 PLATING REQUIRED  
 PLATING REQUIRED  
 RECOMMENDED PCB CONFIGURATION WITH KEEP-OUT AREAS BELLY TO BELLY APPLICATIONS SCALE 8:1

THIS DRAWING IS A CONTROLLED DOCUMENT.		OWN: B. MATTHEWS 15NOV2011	TE Connectivity
DIMENSIONS: mm		CHK: M. SCHMITT 15NOV2011	
TOLERANCES UNLESS OTHERWISE SPECIFIED:		APPV: M. SCHMITT 15NOV2011	NAME: SFP+ ENHANCED 1X2 CAGE ASSEMBLY, PRESS-FIT, EXTERNAL EMI SPRINGS WITH HEATSINK AND LIGHTPIPE PRODUCT SPEC: 108-2364 APPLICATION SPEC: 114-13120
0 PLC ±0.13 1 PLC ±0.1 2 PLC ±0.08 3 PLC ±0.05 4 PLC ±0.05 ANGLES ±0.5		SIZE: 114-13120 WEIGHT: - Customer Drawing	
MATERIAL: FINISH: ALL		SCALE: 5:1	RESTRICTED TO: REV: A1