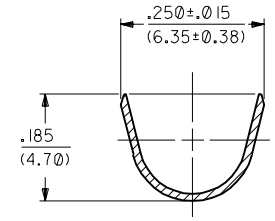
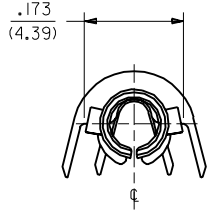
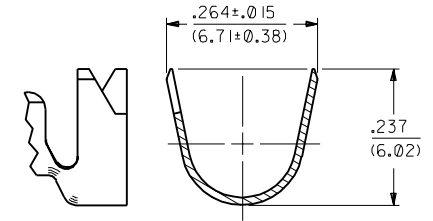


PART NO.	ENG. NO.	
02-09-1153	41483-(P90)I	OBsolete
02-09-1154	41483-(P90)IL	
02-09-1155	41483-(P90)I	
02-09-1156	41483-(P90)IL	



SECT. "A-A"
FOR CRIMP STYLE "A"



SECT. "A-A"
FOR CRIMP STYLE "B"

ENG. NO. LEGEND

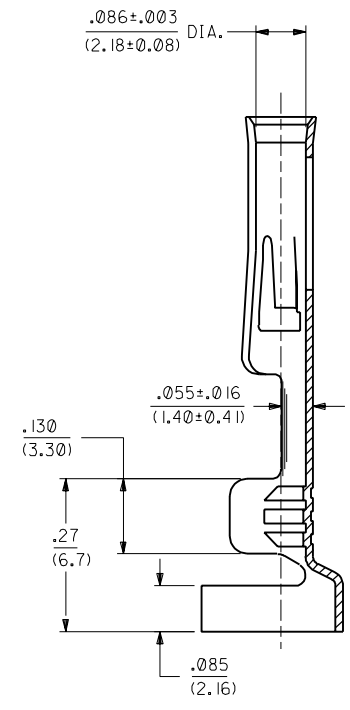
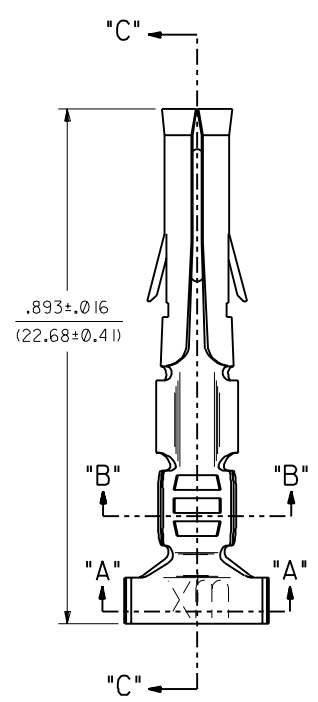
41483-*(****)*

CRIMP STYLE
BLANK=STYLE "A"
I=STYLE "B"

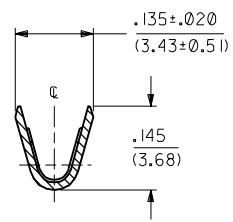
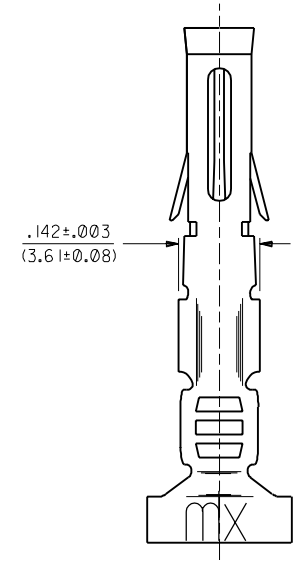
FORM
BLANK=CHAIN
L=LOOSE

P=PREPLATED FINISH
BLANK=POSTPLATED FINISH

FINISH CODE
(SEE NOTE 2)



SECT. "C-C"



SECT. "B-B"



- NOTES:**
- MATERIAL: CARTRIDGE BRASS, #C26000 PER ES-124-D209, TEMPER H08 (SPRING HARD)
 - FINISH: SEE LEGEND
901 HOT TIN DIP .000020/(0.0005) MIN.
 - PRODUCT SPECIFICATION: NONE
 - TERMINAL FOR USE WITH .093/(2.36) SERIES HOUSINGS AND WILL ACCEPT 14 THRU 18 AWG WIRE. CRIMP STYLE "A" ACCEPTS .180/(4.57) MAX. INSULATION DIA. OR 18 AWG SPT-3 CORD WHEN INSULATION IS CUT OR MANUFACTURED WITHIN THIS DIAMETER. FOR SPT-3 WIRE, IT IS RECOMMENDED THE WIRE BE ORIENTED SO THAT THE INSULATION RADIUS IS FACING THE TOP OF THE CRIMP AFTER CRIMPING. CRIMP STYLE "B" INTENDED FOR DOUBLE CRIMPING OF TWO 18 AWG WIRES; ONE HAVING A MAXIMUM INSULATION DIA. OF .170/(4.32) & ONE HAVING A MAX. INSULATION DIA. OF .110/(2.79).
 - THIS PART CONFORMS TO PROD. SPEC. PSX-41483.

J	OBsolete P/N UCR2002-0270 COMERCI 01/10/9
I	ADD COIN TO FLARE UCR2000-0842 6-13-00 RW
HI	REVISE PER UCR2000-0784 DDS 05/24/00
H	REVISE PER EGR U3 0507 CXC 4/1/93 RW
G	REVISE PER EGR U3 0159 CXC 2/2/93 RW
F	REVISE PER EGR U2 0081 CXC 2/24/92 RW
E	REV. & REDRAWN ON CAD. EGR U10 0975 CXC 12/5/90 RW

DIMENSIONS SHOWN (METRIC) INCH UNLESS OTHERWISE SPECIFIED TOLERANCES ANGULAR ± 1/2°		▽ = 0 ▽ = 0		MFG. SH. REV. LTR. REVISE ONLY ON CAD SYSTEM	
INCH METRIC		TITLE CRIMP TERM., FEMALE .093/(2.36) DIA. FOR 14 THRU 18 AWG. WIRE			
3 PLACE ± .010 ---	---	MOLEX INCORPORATED U.S.A.		SHEET NO. 1 of 1	DATE 12/5/90
2 PLACE ± .014 ± 0.25	± 0.36	PART NO. SD-41483X1			
1 PLACE --- ± 0.36	---	DRAWG. NO. SD-41483-*			
DRAFT WHERE APPLICABLE MUST REMAIN WITHIN DIMENSIONS		SEE CHART			
DRW. BY CXC	CHK'D. BY RW	FILE NAME SD-41483X1		DIV. CP	SIZE
APP'D. BY GWF	SCALE 6 : 1	THIS DRAWING CONTAINS INFORMATION THAT IS PROPRIETARY TO MOLEX INC. AND SHOULD NOT BE USED WITHOUT WRITTEN PERMISSION.			

41483