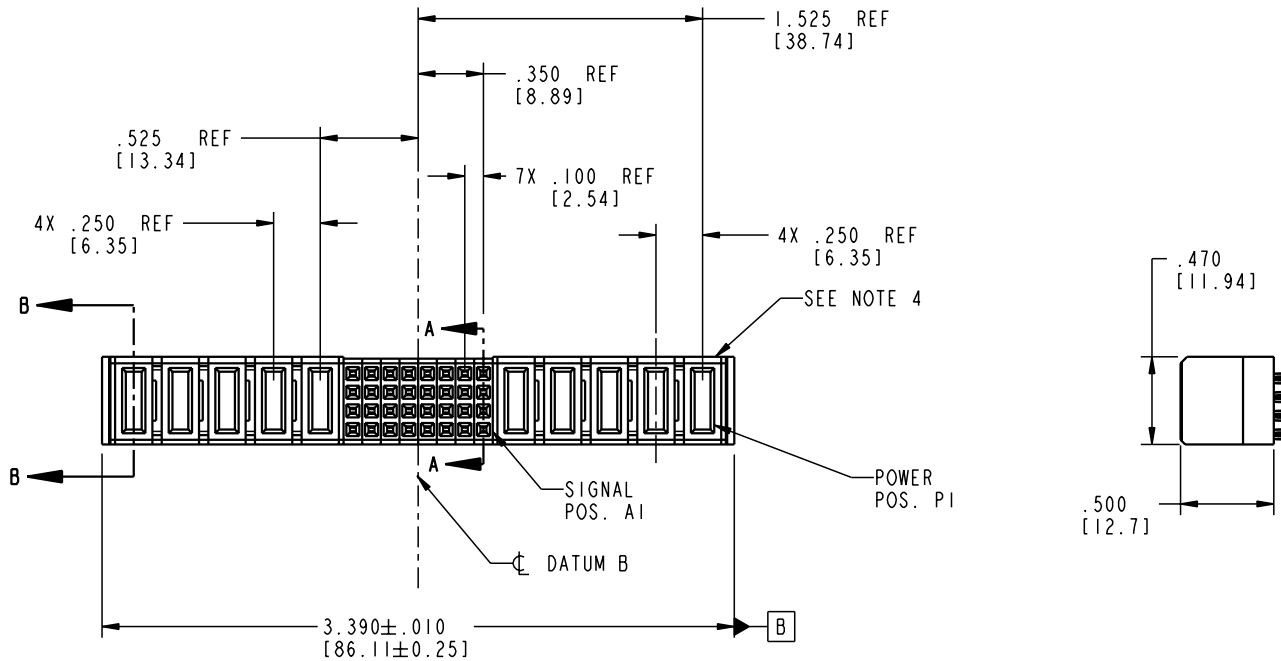


Tous droits strictement réservés. Reproduction ou communication à des tiers interdite sous quelque forme que ce soit sans autorisation écrite du propriétaire. Propriété de c FCI. Droits de reproduction FCI.

FCI

All rights strictly reserved. Reproduction or issue to third parties in any form whatever is not permitted without written authority from the proprietor. Property of FCI. Copyright FCI.

PRODUCT NO.	ROWS	POWER					SIGNAL					POWER							
		P10	P9	P8	P7	P6	8	7	6	5	4	3	2	1	P5	P4	P3	P2	P1
51754-006	D C B A	PF	PC	PF	PC	PF	FFFFFFFFFF	FFFFFFFFFF	FFFFFFFFFF	FFFFFFFFFF	FFFFFFFFFF	FFFFFFFFFF	FFFFFFFFFF	FFFFFFFFFF	PC	PF	PC	PF	PC



CODE	DIM "M" MATING LENGTH	CONTACT TYPE
PF	.092 [2.34]	POWER
PC	.042 [1.07]	POWER
F	N/A [N/A]	SIGNAL

mat'l code		SEE NOTE 2		tolerances unless otherwise specified		CUSTOMER		FCI www.fciconnect.com	
ltr	ecr no.	dr	date	linear	.XX±.01/0.X±0.3	COPY		title	
A	V03-0693	MEM	6/23/03	angles	.XXX±.005/0.XX±0.13 .XXX±.002/0.XXX±0.051 0°±?	projection		5P + 32S + 5P	
				dr	M. MOSTOLLER 6/23/03	INCH/MM		product family	
				enr	M. MOSTOLLER 6/23/03	scale		PwrBlade	
				chr	H. BREWBAKER 6/23/03	1:1		code	
				appd	M. MOSTOLLER 6/23/03			size	
				sheet index	A A A A			A 51754-006	
				revision sheet	1 2 3 4			213	
								sheet	
								1 of 4	
								cage code	
								22526	

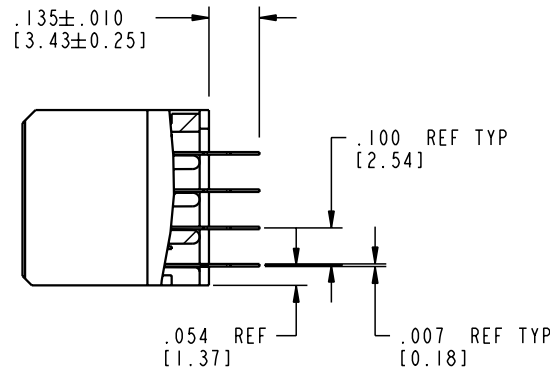
Pro/E

cage code 22526

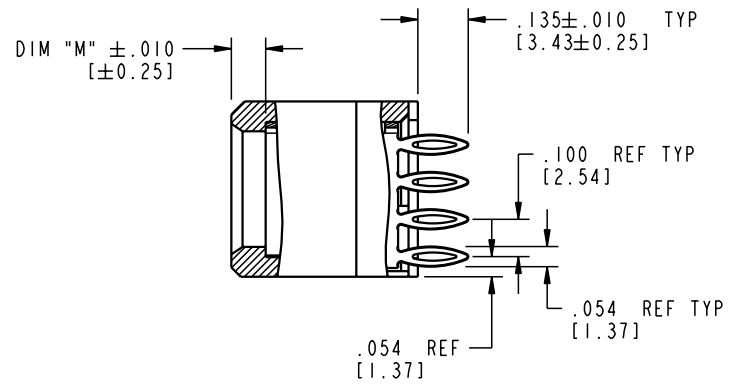
Tous droits strictement reserves. Reproduction ou communication a des tiers interdite sous quelque forme que ce soit sans autorisation ecrite du proprietaire. Propriete de c FCI. Droits de reproduction FCI.

All rights strictly reserved. Reproduction or issue to third parties in any form whatever is not permitted without written authority from the proprietor. Property of FCI. Copyright FCI.

PRODUCT NUMBER
51754-006



SECTION A-A
SCALE 2:1



SECTION B-B
SCALE 2:1

A
FCI

A

B

B

mat'l code				SEE NOTE 2		tolerances unless otherwise specified		CUSTOMER		 www.fciconnect.com	
lfr	ecn no.	dr	date	linear	.XX±.01/0.XX±0.3	projection		COPY		title	
A				angles	.XXX±.005/0.XX±0.13					5P + 32S + 5P	
				dr	.XXX±.0020/0.XXX±0.051			INCH/MM		product family	
				enr	0°±7°	scale		1:1		PwrBlade	
				chr	M. MOSTOLLER 6/23/03			A		code	
				appd	M. MOSTOLLER 6/23/03					213	
sheet index		revision sheet								sheet	
										2 of 4	

code code 22526

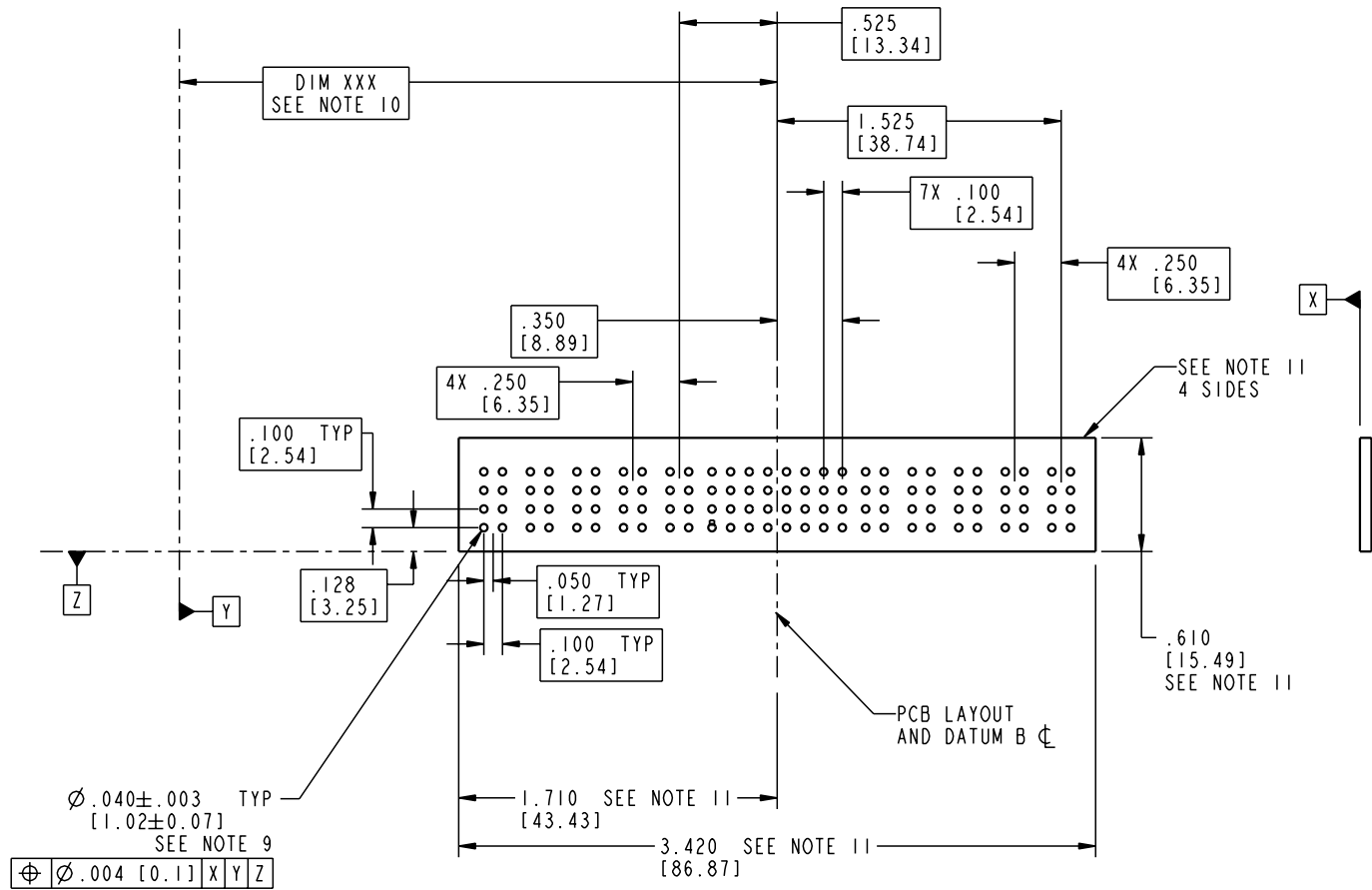
Pro/E

Tous droits strictement reserves. Reproduction ou communication a des tiers interdite sous quelque forme que ce soit sans autorisation ecrite du proprietaire. Propriete de c FCI. Droits de reproduction FCI.

FCI

All rights strictly reserved. Reproduction or issue to third parties in any form whatever is not permitted without written authority from the proprietor. Property of FCI. Copyright FCI.

PRODUCT NUMBER
51754-006



mat'l code		SEE NOTE 2		tolerances unless otherwise specified		CUSTOMER		 www.fciconnect.com	
lfr	ecr no.	dr	date	linear	.XX±.01/0.X±0.3	projection	title		
A				angles	.XXX±.005/0.XX±0.13		5P + 32S + 5P		
				dr	.XXX±.0020/0.XXX±0.051	INCH/MM	product family		code
				enr	0°±7°	scale	PwrBlade		213
				chr	M. MOSTOLLER 6/23/03	1:1	size dwg no		sheet
				appd	M. MOSTOLLER 6/23/03		A 51754-006		3 of 4
sheet index	revision sheet								

cage code 22526

Pro/E

Tous droits strictement reserves. Reproduction ou communication a des tiers interdite sous quelque forme que ce soit sans autorisation écrite du propriétaire. Propriete de c FCI. Droits de reproduction FCI.

All rights strictly reserved. Reproduction or issue to third parties in any form whatever is not permitted without written authority from the proprietor. Property of FCI. Copyright FCI.

1 | 2

3 |

4

PRODUCT NUMBER
51754-006

NOTES:

1. DIMENSIONS AND TOLERANCES ARE IN ACCORDANCE WITH ASME Y14.5M, 1994 UNLESS OTHERWISE SPECIFIED.


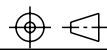
CONNECTOR NOTES:

- 2 HOUSING MATERIAL: UL 94 V-0 GLASS FILLED
HIGH-TEMP THERMOPLASTIC
POWER CONTACT MATERIAL: COPPER ALLOY
SIGNAL PIN MATERIAL: COPPER ALLOY
- 3. PLATING:
SIGNAL PINS: 30u"/0.76um Au OVER 50u"/1.27um Ni
POWER CONTACTS: 50u"/1.27um Ni UNDER ALL WITH 30u"/0.76um Au ON CONTACT AREA AND SnPb ON PCB INTERFACE
- 4 MANUFACTURER'S NAME, P/N, AND DATE CODE TO APPEAR ON THIS SURFACE.
- 5. PRODUCT SPECIFICATION GS-12-149.
APPLICATION SPECIFICATION BUS-20-067.
- 6. PACKAGED IN TRAYS.
- PCB NOTES:
- 7. ALL HOLE DIAMETERS ARE FINISHED HOLE SIZE.
- 8 MOUNTING HOLES, WHERE APPLICABLE, ARE UNPLATED.
- 9 $\varnothing .0453 \pm .0010$ [1.151 \pm 0.025] DRILLED HOLES PLATED WITH .0003 [0.008] MIN SnPb OVER .001 [0.03] TO .003 [0.08] Cu PLATING TO ACHIEVE $\varnothing .040 \pm .003$ [1.02 \pm .07] HOLE.
- 10 "DIM XXX" TO BE DETERMINED BY THE CUSTOMER.
- 11 CONNECTOR KEEP-OUT ZONE.

A

A

A
FCI

mat'l code				SEE NOTE 2		tolerances unless otherwise specified		CUSTOMER		 www.fciconnect.com	
l/r	ecn no.	dr	date	linear	.XX±.01/0.X±0.3	projection	COPY		title		
A					.XXX±.005/0.XX±0.13		A		5P + 32S + 5P		
				angles	.XXX±.0020/0.XXX±0.051		INCH/MM		VERTICAL PRESS FIT RECEPT		
					0°±7°		scale		product family		code
				dr	M. MOSTOLLER 6/23/03		1:1		PwrBlade		213
				enr	M. MOSTOLLER 6/23/03		A		size dwg no		sheet
				chr	H. BREWBAKER 6/23/03		A		51754-006		4 of 4
				appd	M. MOSTOLLER 6/23/03						
sheet index		revision sheet									

B

B

1 | 2

Pro/E

3 |

code code 22526

4