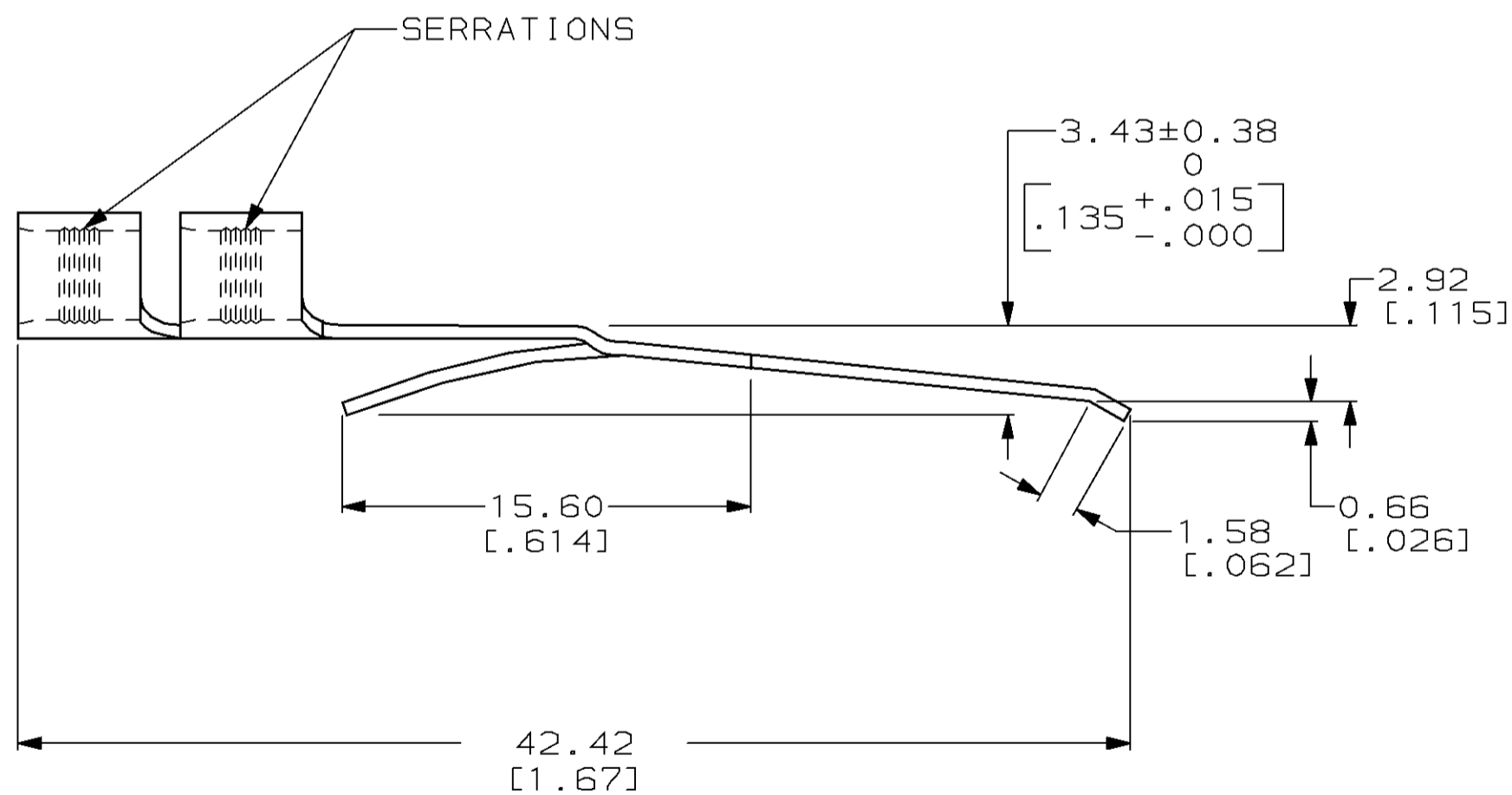
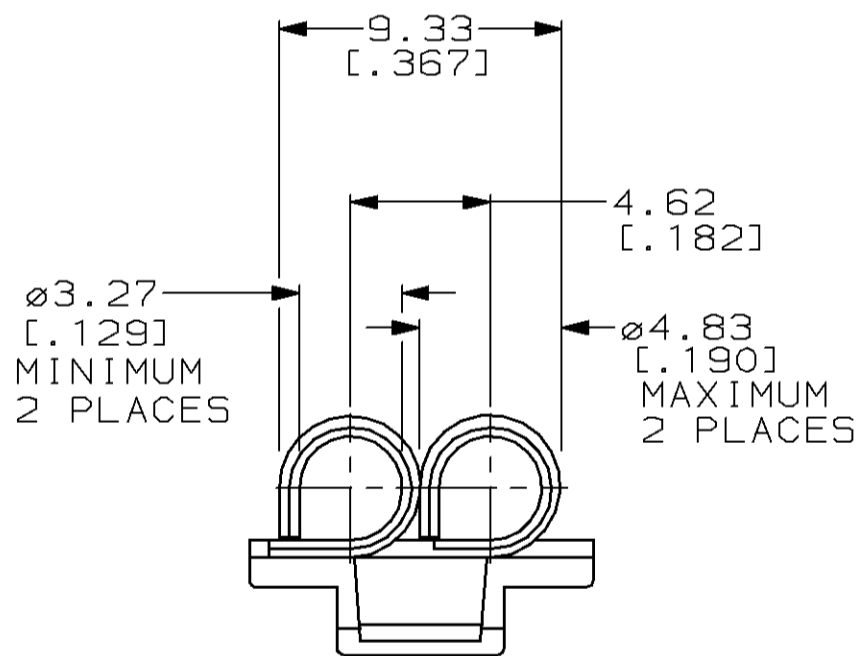
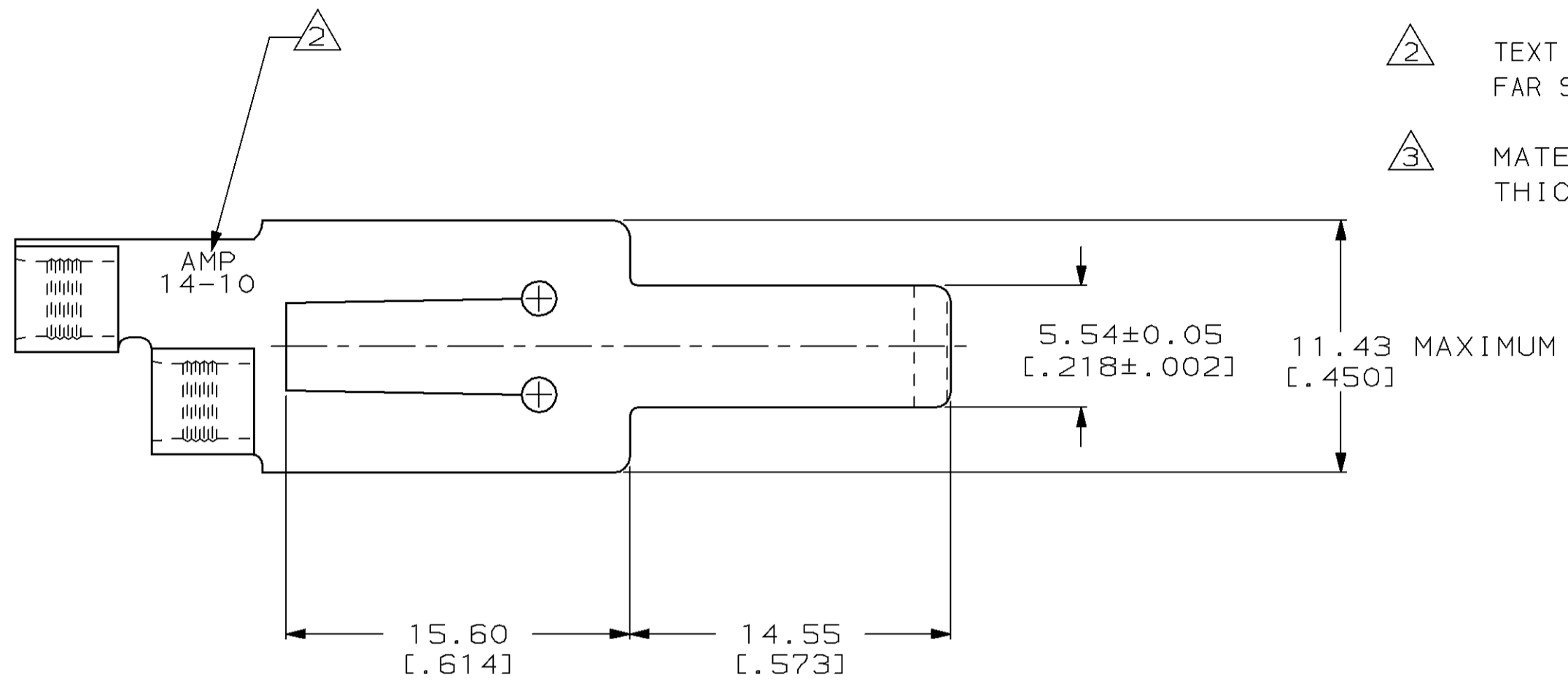


THIS DRAWING IS UNPUBLISHED. RELEASED FOR PUBLICATION
 BY AMP INCORPORATED. ALL RIGHTS RESERVED.

Loc		DIST		REVISIONS			
P	LTR	DESCRIPTION		DATE	DWN	APVD	
FI	25	D		REV; EC ON20-0002-97	06FEB97	GG PR	

- ① DIMENSIONS ARE NOMINAL UNLESS OTHERWISE SPECIFIED.
- ② TEXT LOCATED APPROXIMATELY AS SHOWN ON FAR SIDE OF PART.
- ③ MATERIAL: PHOSPHOR BRONZE 0.635 [.025] THICK, SILVER PLATED.



53889-1
PART NO.

<small>THIS DRAWING IS A CONTROLLED DOCUMENT FOR AMP INCORPORATED. IT IS SUBJECT TO CHANGE AND THE CONTROLLING ENGINEERING ORGANIZATION SHOULD BE CONTACTED FOR THE LATEST REVISION.</small>		DWN L. McEACHIN/UTA 25MAR96	AMP Incorporated Harrisburg, PA 17105-3608
DIMENSIONS: mm [INCHES]		CHK N. JONES 26MAR96	
TOLERANCES UNLESS OTHERWISE SPECIFIED: 0 PLC ± ① 1 PLC ± 2 PLC ±0.51 [.02] 3 PLC ±0.127 [.005] 4 PLC ± ANGLES ± FINISH ③		APVD P. RIEDL SMAR96	NAME
MATERIAL ③		PRODUCT SPEC -	TERMINAL BODY, FLAG RELAY CONTACT, 14-10 AWG
		APPLICATION SPEC -	SIZE A2
		WEIGHT -	CAGE CODE 00779
		CUSTOMER DRAWING	DRAWING NO C-53889
		SCALE 4:1	SHEET 1 OF 1
			REV D