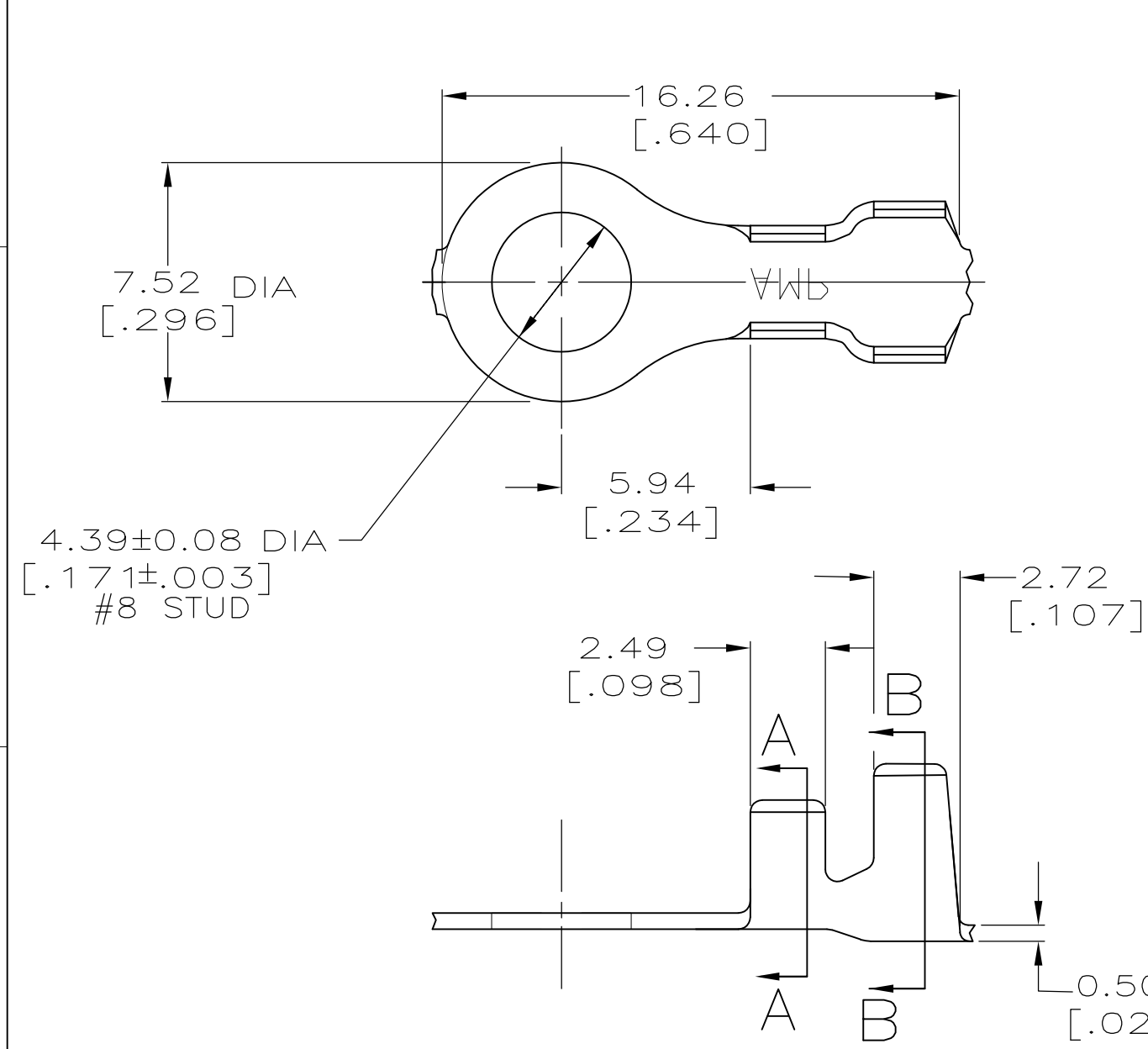
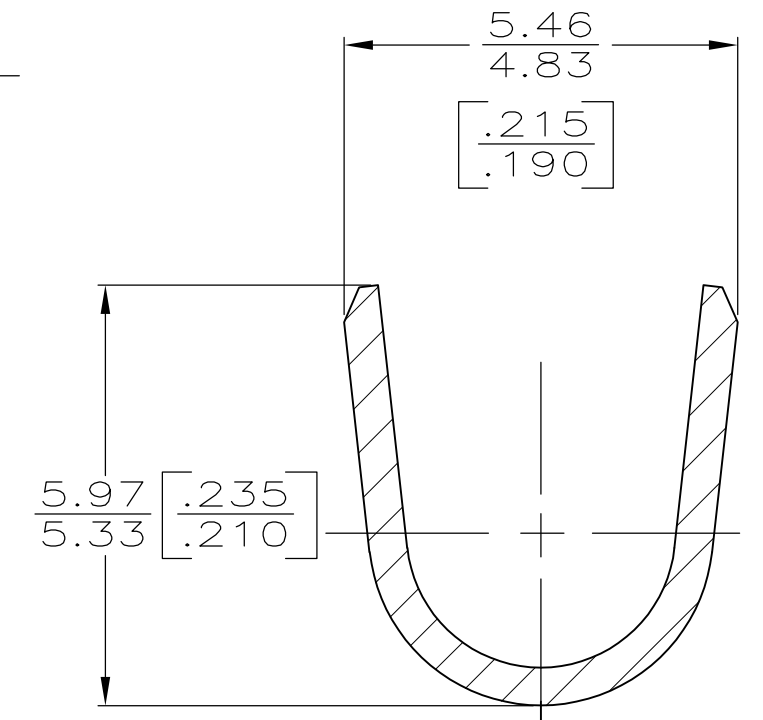
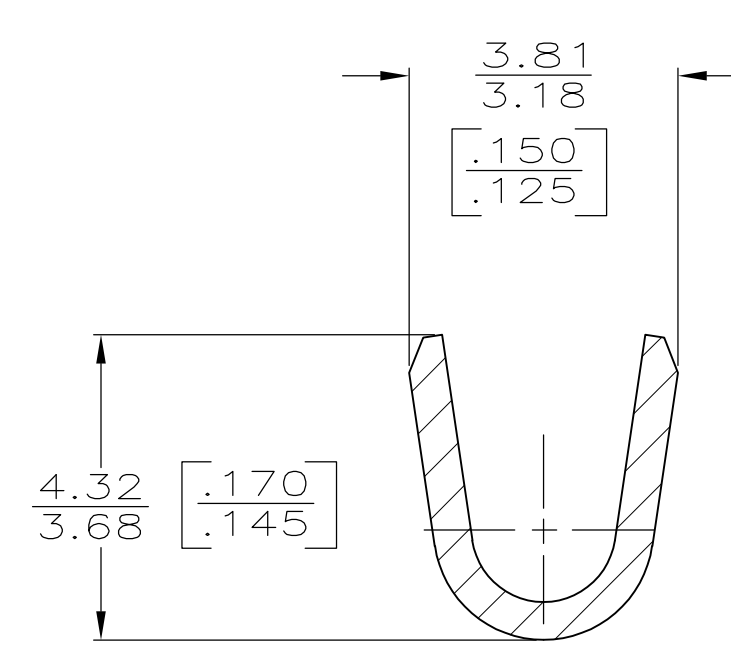


THIS DRAWING IS UNPUBLISHED. RELEASED FOR PUBLICATION  
 © COPYRIGHT BY TYCO ELECTRONICS CORPORATION. ALL INTERNATIONAL RIGHTS RESERVED.

|     |      |           |     |                           |         |     |      |
|-----|------|-----------|-----|---------------------------|---------|-----|------|
| LOC | DIST | REVISIONS |     |                           |         |     |      |
| AF  | 50   | P         | LTR | DESCRIPTION               | DATE    | DWN | APVD |
|     |      |           | D   | REVISED PER ECR-10-006099 | 09JUL10 | HMR | PD   |



1. CONTINUOUS STRIP ON REEL.



SECTION A-A  
SCALE 10:1

SECTION B-B  
SCALE 10:1

OBSOLETE

|        |                              |   |         |
|--------|------------------------------|---|---------|
| TIN    | 3.05-4.32 DIA<br>[.120-.170] | 0.8-2.0mm<br>[18-14] AWG<br>OR<br>2-0.8mm <sup>2</sup> [18] AWG | 63678-2 |
| FINISH |                              |   | 63678-1 |
|        | INSULATION RANGE             | WIRE RANGE  | PART NO |

|                    |                |                                  |                   |                |  |   |
|--------------------|----------------|----------------------------------|-------------------|----------------|--|---|
| F OR O             | 4.57<br>[.180] | 4.06<br>[.160]                   | F                 | 3.05<br>[.120] | 1.93 [.076]<br>2.03 [.080]<br>1.83 [.072]<br>1.70 [.067] | (2)<br>0.8mm <sup>2</sup> [18]<br>2.0mm <sup>2</sup> [14]<br>1.3mm <sup>2</sup> [16]<br>0.8mm <sup>2</sup> [18] |
| TYPE               | WIDTH          | STRIP LENGTH<br>±0.38<br>[±.015] | TYPE              | WIDTH          | HEIGHT   | WIRE  |
| INSUL BARREL CRIMP |                |                                  | WIRE BARREL CRIMP |                | ±0.051 [±.002]   |   |

|  |  |
|--|--|
| THIS DRAWING IS A CONTROLLED DOCUMENT. |  |
| DIMENSIONS:<br>mm [INCHES]             | TOLERANCES UNLESS OTHERWISE SPECIFIED: |
|  | 0 PLC ± -                              |
|  | 1 PLC ± -                              |
|  | 2 PLC ± 0.25 [.010]                    |
|  | 3 PLC ± -                              |
|  | 4 PLC ± -                              |
|  | ANGLES ± -                             |
| MATERIAL                               | FINISH                                 |
| 082 BRASS                              | SEE TABLE                              |

|                  |           |         |       |                              |            |
|------------------|-----------|---------|-------|------------------------------|------------|
| DWN              | P FORTNEY | 9/30/92 |       | Tyco Electronics Corporation |            |
| CHK              | JR RUTH   | 9/30/92 |       | Harrisburg, PA 17105-3608    |            |
| APVD             | G YETTER  | 9/30/92 |       | NAME                         |            |
| PRODUCT SPEC     |           |         |       | RING                         |            |
| APPLICATION SPEC |           |         | SIZE  | CAGE CODE                    | DRAWING NO |
| WEIGHT           | -         |         | A3    | 00779                        | C-63678    |
| CUSTOMER DRAWING |           |         | SCALE | SHEET                        | REV        |
|                  |           |         | 5:1   | 1 OF 1                       | D          |