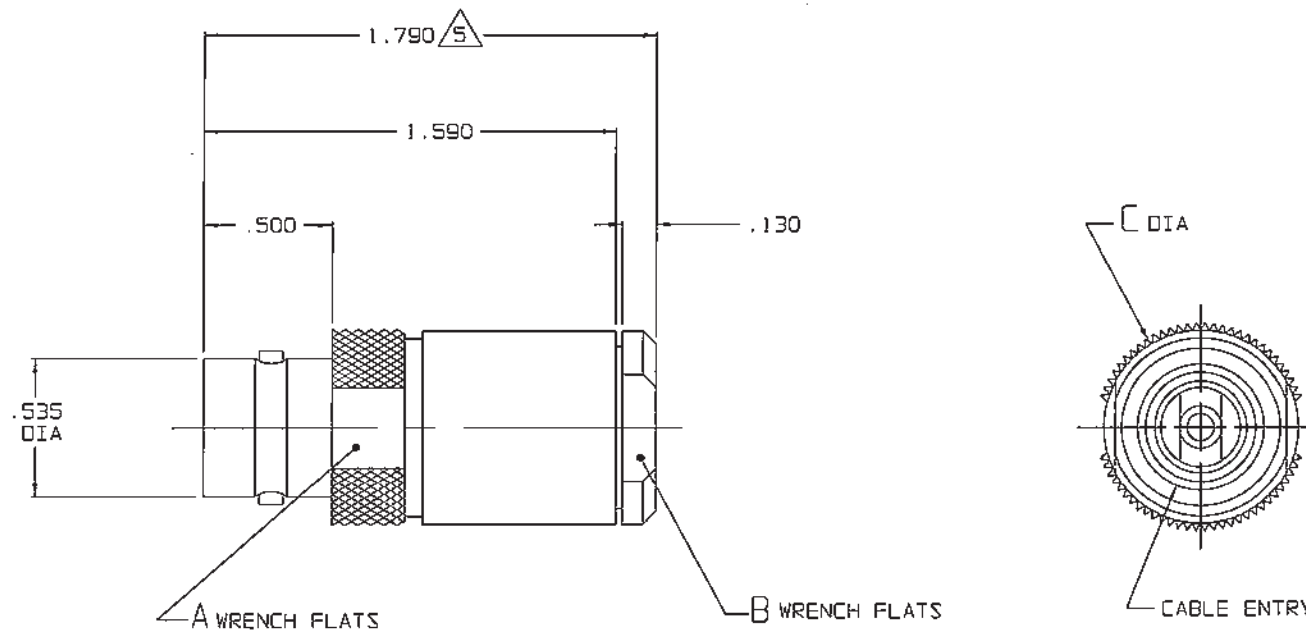


DATA CONTAINED IN THIS DOCUMENT IS PROPRIETARY TO TROMPETER ELECTRONICS INC. AND SHALL NOT BE DISCLOSED, COPIED OR USED FOR PROCUREMENT OR MANUFACTURE WITHOUT EXPRESS WRITTEN PERMISSION OF TROMPETER ELECTRONICS INC.

REVISIONS		1-0152	SH 1
REV	DESCRIPTION	DATE	APPROVED
V	REVISED PER ECO 15051	5/29/03	WJ

DASH NO	CABLES ACCOMMODATED	A FLATS	B FLATS	C DIA	ASSEMBLE PER
-7	TRC-50-2/TRC-75-2	.687	.625	.760	TAI-175
-8	8227, BELDEN				TAI-116
-9	TWC-78-2, RG-108, TWC-124-2				TAI-131
-10	754E, W.E.CO., RG-22				TAI-175
-11	760A, W.E.CO.				TAI-116
-12	16PEVL, W.E.CO.				TAI-116
-13	TRF-59, TIMES				TAI-175
-13A	8232, BELDEN				TAI-116
-14	21-529, ESSEX 8233, BELDEN				TAI-116
-14A	TRC-50-4A				TAI-175
-15	21-583, ESSEX				TAI-116
-16	21-950, ESSEX				TAI-175
-26	275-3962, MICRODOT				TAI-116
-29	TWC-124-1A				TAI-175
-32	TRC-50-1	TAI-116			
-42	21-204, ESSEX	TAI-175			
-46	9860, BELDEN	TAI-116			
-54	89207, BELDEN	TAI-175			
-61	5012WS812, RAYCHEM	TAI-116			
-62	7518A0811, RAYCHEM	TAI-175			

RED INDICATES ORIGINAL



-7 SHOWN

△ DIM IS MAX WHEN ASSEMBLED TO CABLE

4. CONCENTRIC TWINAX/TRIAX "C" STYLE CABLE RECEPTACLE WITH PIN CENTER CONTACT

3. INTERFACE: TCS-BJ80

2. FINISH: TFS-1A (NICKEL)

1. ALL DIM ARE IN INCH

INTERPRET DRAWING PER MIL-STD-100 DIMENSIONS ARE IN INCHES AND INCLUDE FINISH DIMENSIONS UNLESS OTHERWISE SPECIFIED		TOL: UNLESS SPECIFIED .XX .XXX ±.005 .XXXX ANGLES		
DRAWN AAH	DATE 5-28-03	MATERIAL:		
CHECKED D	DATE 5-29-03	FINISH:		SIZE CAGE CODE B 14949
QUALITY D	DATE 5/29/03	SCALE 3/1		DRAWING NO. 1-0152
MAILED D	DATE 5/29/03	DATE 4-28-69		REV. V
APPROVED D	DATE 5/29/03	SHEET 1C		
NEXT ASSY	ECO FILE NO 1-0152V	03 NOT SCALE DWG		