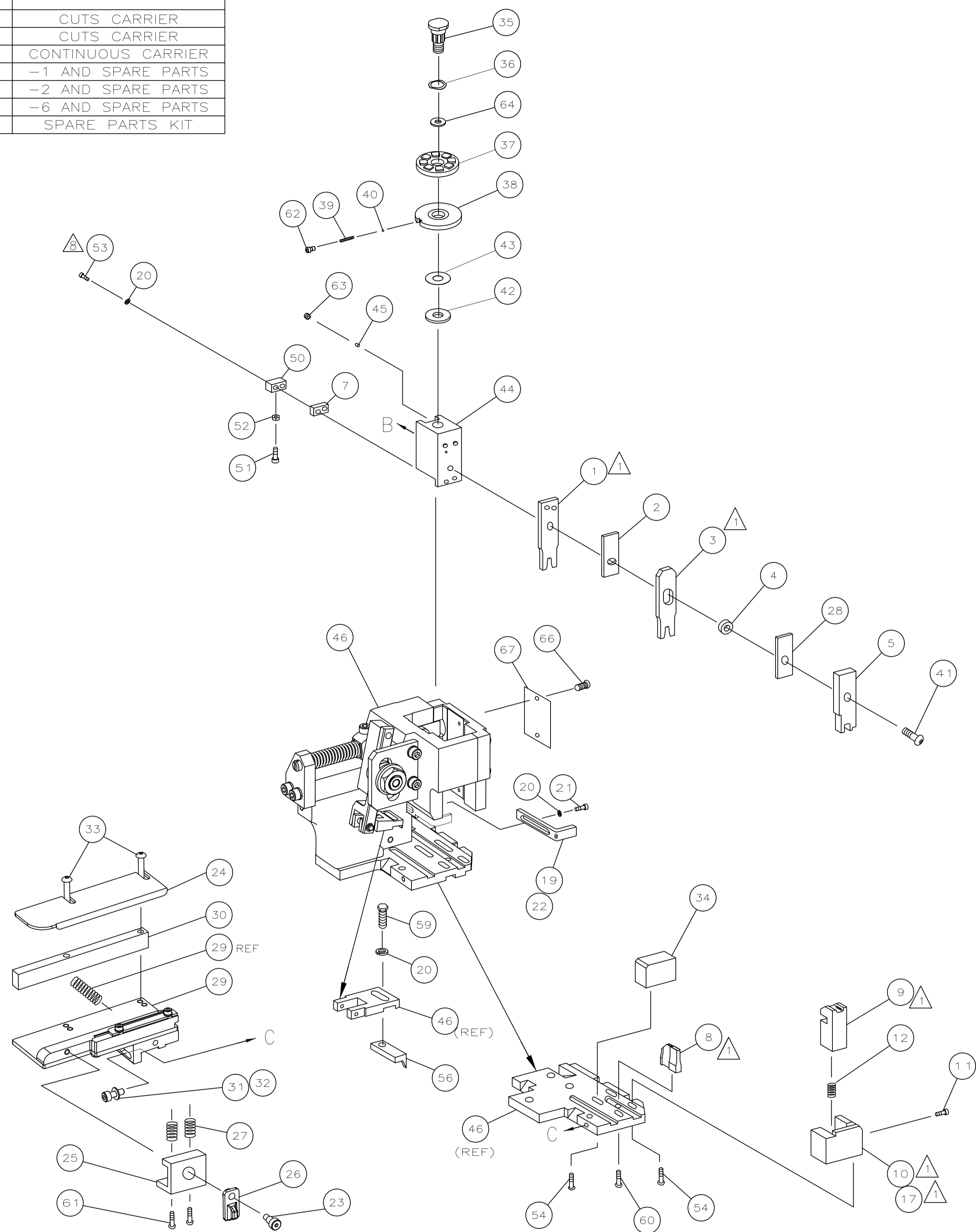
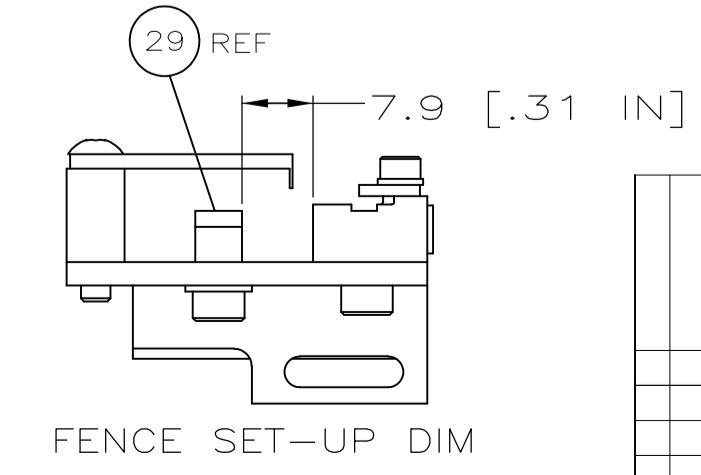
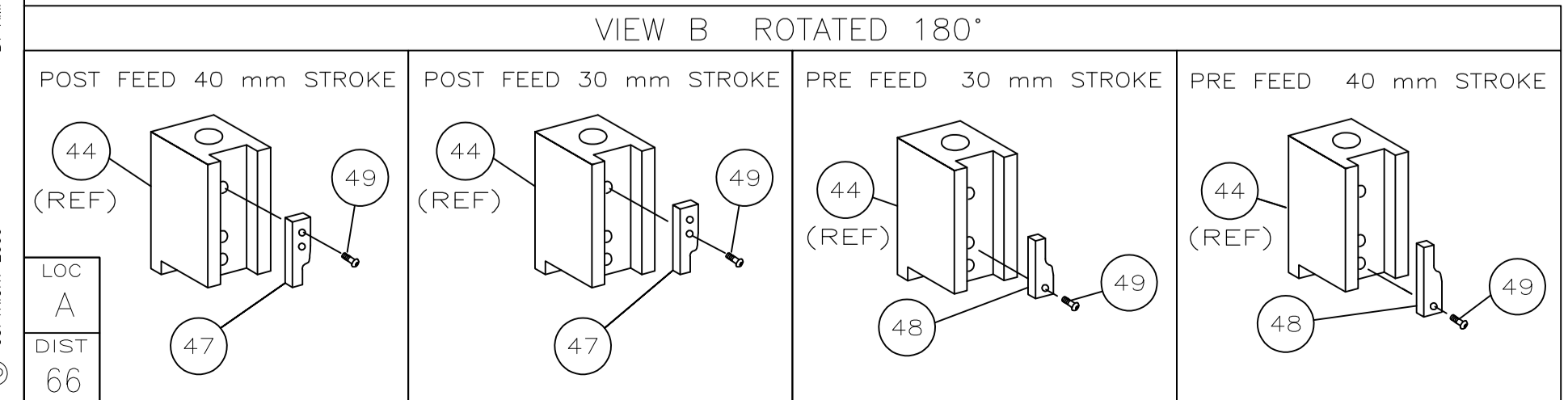


PART NUMBER	REV	FIRST USED	TERMINATOR	FEED TYPE	DESCRIPTION
1426069-1	B	-	LEADMAKER	MECH POST FEED	CUTS CARRIER
1426069-2	B	-	BENCH	MECH PRE FEED	CUTS CARRIER
1426069-6	B	-	LEADMAKER	MECH POST FEED	CONTINUOUS CARRIER
7-1426069-1	B	-	LEADMAKER	MECH POST FEED	-1 AND SPARE PARTS
7-1426069-2	B	-	BENCH	MECH PRE FEED	-2 AND SPARE PARTS
7-1426069-6	B	-	LEADMAKER	MECH POST FEED	-6 AND SPARE PARTS
7-1426069-7	A	-	-	-	SPARE PARTS KIT

CRIMP DATA (NON-AMP TERMINAL-AMP SPEC)			
TERMINAL NAME: JST PIN & SOCKET CONTACT			
CRIMP	SIZE	TYPE	RANGE
WIRE	2.97 [.117 IN]	F	1.50-3.50 mm ²
INSUL	5.00 [.197 IN]	F	4.10 MAX [.161 IN MAX]
WIRE STRIP LENGTH		APPL INSTRUCTION	
5.00-5.50 [.197-.216 IN]		408-8322	
TERMINAL APPL SPEC		FEED	
114-3118		14.00 [.551 IN]	
TERMINALS APPLIED			
MFR PT. NO.	AMP PT. NO.	-	-
SVM-81T-P2.0	286886-1	-	-
SVF-81T-P2.0	286886-2	-	-
-	-	-	-
-	-	-	-
-	-	-	-
-	-	-	-
-	-	-	-
-	-	-	-
-	-	-	-
-	-	-	-
WIRE SIZE	CRIMP HEIGHT	PIN PN & LENGTH [IN]	
mm ² AWG			
3.50mm ²	1.80 ±0.05 [.071 ±.002 IN]	9-354778-1 [.2950]	
2.50mm ²	1.55 ±0.05 [.061 ±.002 IN]	1-354779-2 [.3050]	
1.50mm ²	1.29 ±0.05 [.051 ±.002 IN]	3-354779-4 [.3160]	
-	-	-	-
-	-	-	-
-	-	-	-
-	-	-	-
-	-	-	-
-	-	-	-
-	-	-	-
-	-	-	-
-	-	-	-
-	-	-	-



- RECOMMENDED SPARE PARTS.
- 2. GREASE RAM, CAM, CAM FOLLOWER AND FEED ROD LIGHTLY.
- 3. LUBRICATE DAILY PER THE APPLICATOR INSTRUCTION SHEET SUPPLIED WITH THE APPLICATOR.
- CUT TO LENGTH AT ASSY.



QTY	REQD PER ASSY	PART NO	DESCRIPTION	ITEM NO				
-	1	1	1	1	1	1426069	PRINT, APPLICATOR LOG SHEET	73
-	1	1	1	1	1	1338705-1	DOCUMENTATION PACKAGE	71
-	-	-	-	-	-	-	-	70
-	-	-	-	-	-	-	-	69
-	-	-	-	-	-	-	-	68
-	1	1	1	1	1	461264-1	PLATE, IDENTIFICATION	67
-	2	2	2	2	2	21017-2	SCR,DRIVE(#2x.19)ID PLATE	66
-	-	-	-	-	-	-	-	65
-	1	1	1	1	1	986950-1	WASHER, FLAT PRECISION	64
-	1	1	1	1	1	3-18031-0	SCR,SKT SET(M6X6)RAM	63
-	1	1	1	1	1	18023-9	SCR,SHC(M4X6)INS DISC	62
-	2	2	2	2	2	1-18024-5	SCR,BHC(M5X25)DRAG	61
-	1	1	1	1	1	18024-7	SCR,BHC(M4X10)ANVIL	60
-	1	1	1	1	1	5-18022-2	SCR,HEX(M4X8)FEED FINGER	59
-	-	-	-	-	-	-	-	58
-	-	-	-	-	-	-	-	57
-	1	1	1	1	1	1338685-1	PAWL, FEED	56
-	-	-	-	-	-	-	-	55
-	4	4	4	4	4	18024-8	SCR,BHC(M4X12)SHEAR HOLDER	54
-	2	2	2	2	2	1-18023-3	SCR,SHC(M4X16)TERM HLD DWN	53
-	1	1	1	1	1	18030-1	NUT,HEX(M3)HOLD DOWN	52
-	1	1	1	1	1	811242-5	BUMPER, HOLDDOWN	51
-	1	1	1	1	1	690753-2	SPACER, TONKER	50
-	1	1	1	1	1	18024-3	SCR,BHC(M3X10)CAM	49
-	-	-	-	-	-	-	-	48
-	1	-	1	1	-	1338676-1	CAM, POST FEED 30 & 40 mm ST	47
-	1	1	1	1	1	1320999-3	APPLICATOR BASIC SUBASSY	46
-	1	1	1	1	1	690191-1	PLUG, NYLON	45
-	1	1	1	1	1	1338660-1	RAM	44
-	1	1	1	1	1	690125-1	WASHER, LAMINATED	43
-	1	1	1	1	1	690124-1	WASHER, RAM	42
-	1	1	1	1	1	2-18024-6	SCR,BHC(M8X25)RAM	41
-	1	1	1	1	1	23241-1	BALL, STEEL	40
-	1	1	1	1	1	2-22278-7	SPRING, COMPRESSION	39
-	1	1	1	1	1	1320922-1	DISC, INSULATION	38
-	1	1	1	1	1	354777-1	WIRE DISC, PLASTIC	37
-	1	1	1	1	1	22480-5	WASHER, SPRING	36
-	1	1	1	1	1	690212-1	POST, RAM	35
-	1	1	1	1	1	1320934-1	SUPPORT, TERMINAL	34
-	2	2	2	2	2	1-18024-0	SCR,BHC(M4X20)STRIP GUIDE	33
-	1	1	1	1	1	18027-2	WASHER, FLAT(M4)	32
-	1	1	1	1	1	1-18023-2	SCR,SKT CAP(M4X12)MOUNT BLOCK	31
-	1	1	1	1	1	1320908-3	SPACER, STRIP GUIDE	30
-	1	1	1	1	1	1633073-1	STRIP GUIDE PLATE ASSY	29
-	1	1	1	1	1	1-455888-6	SPACER, FRONT SHEAR DEP	28
-	2	2	2	2	2	1-22284-0	SPRING, DRAG	27
-	1	1	1	1	1	356835-1	LEVER, DRAG RELEASE	26
-	1	1	1	1	1	240792-1	DRAG, TERMINAL	25
-	1	1	1	1	1	1320928-1	PLATE, STRIP GUIDE	24
-	1	1	1	1	1	980371-4	SCR,SHC SHLD	23
-	1	-	1	-	1	690472-2	STRIPPER	22
-	1	1	1	1	1	1-18023-1	SCR,SHC(M4X10)STRIPPER	21
-	4	4	4	4	4	18025-2	WASHER,LOCK(M4)STRIPPER	20
-	-	1	-	-	1	690472-1	STRIPPER	19
-	-	-	-	-	-	-	-	18
-	1	-	-	1	-	1338684-1	HOLDER, SHEAR, FRONT (NO-CUT)	17
-	-	-	-	-	-	-	-	16
-	-	-	-	-	-	-	-	15
-	-	-	-	-	-	-	-	14
-	-	-	-	-	-	-	-	13
-	1	1	1	1	1	5-22280-0	SPRING, SHEAR	12
-	1	1	1	1	1	356885-4	STOP, SHEAR	11
-	-	1	1	-	1	1320921-1	HOLDER, SHEAR, FRONT (CUT)	10
-	1	1	1	1	1	454276-1	SHEAR, FLOAT (FRONT)	9
-	1	2	2	2	1	1333225-3	ANVIL	8
-	1	1	1	1	1	4-240641-0	SPACER, DEPRESSOR (REAR)	7
-	-	-	-	-	-	-	-	6
-	1	1	1	1	1	1-455889-4	DEPRESSOR, SHEAR (FRONT)	5
-	1	1	1	1	1	1-238011-0	SPACER, BLOCK CRIMPER	4
-	1	2	2	2	1	2-1213077-1	CRIMPER, INSULATION	3
-	1	1	1	1	1	1-455888-1	SPACER, CRIMPER	2
-	1	2	2	2	1	4-568176-3	CRIMPER, WIRE	1

DIMENSIONS: mm [INCHES]		MATL	HT TR	FIN
DO NOT SCALE PRINT.				
TOLERANCES UNLESS OTHERWISE SPECIFIED:				
1 PLC DEC ±0.5 [0.2 IN]				
2 PLC DEC ±				
3 PLC DEC ±				
ANGLES ±				
SURF TEXTURE: ✓				
REMOVE BURRS, BREAK SHARP EDGES RO.38 MAX				
B1	SEE ECR-10-004830	TE	MAR10	
B	SEE ECN 0150-0734-03	CMR	JUL03	
A1	SEE ECN 015A-0205-01	LJL	MAR01	
A	SEE ECN 015A-0409-00	MC	SEP00	
P/F	REVISION RECORD	APP	DATE	
CAGE CODE 00779		CUSTOMER AND ASSEMBLY DRAWING		RESTRICTED TO

THIS DRAWING IS UNPUBLISHED. RELEASE FOR PUBLICATION BY AMP INCORPORATED. ALL RIGHTS RESERVED. © 2000 AMP INCORPORATED. LAYOUT L1426069 SET UP GAGE 458637-3

1426069