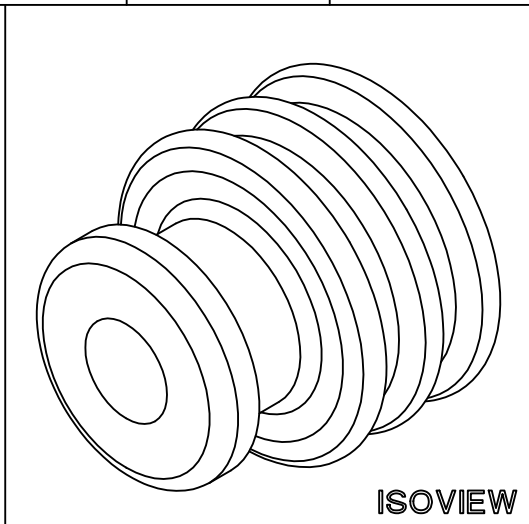
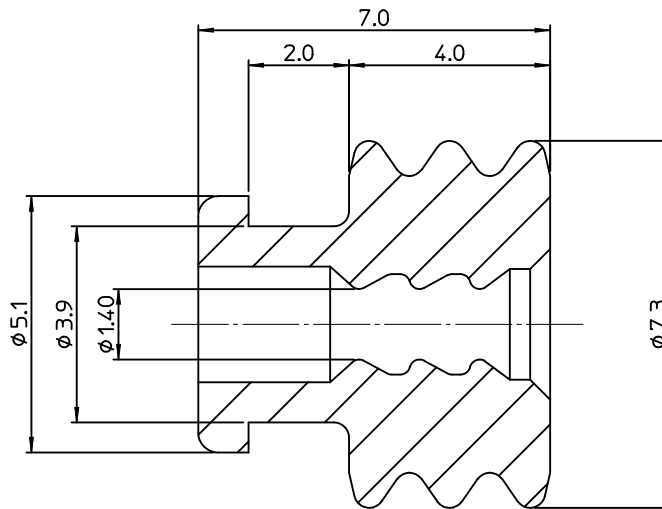
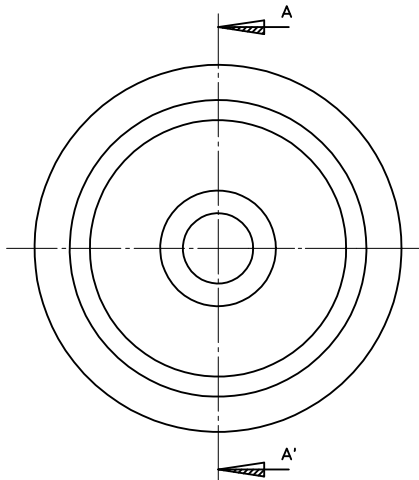


<NOTE>

1. MATERIAL : INTERNALLY LUBRICATED SILICONE
2. COLOR : RED
3. APPLICABLE SOCKET ASS'Y : 49454, 104035, 104036
104037, 104038, 104039
4. APPLICABLE WIRE : 1.8mm~2.2mm



ISOVIEW



SECTION A-A'

<TABLE 1>

MATERIAL NO.	ORDER NO.
494549002	49454-9002
DESIGN UNITS METRIC	THIRD ANGLE PROJECTION

REVISED EC NO: KOR2010-0103 DRW: ECKIM 2010/10/27 CHK: BGYOON 2010/10/28 APPR: YUNSIKKIM 2010/10/28 REV A1	QUALITY SYMBOLS ▽=0 ◻=0	GENERAL TOLERANCES (UNLESS SPECIFIED)		DIMENSION STYLE MM ONLY		SCALE 10:1	TITLE S8 BULB SOCKET WIRE SEAL-S MOLEX INCORPORATED SD-49454-004 SHEET NO. 1 OF 1	
			mm	INCH	DRAWN BY SMKIM	DATE 2009/03/17		THIS DRAWING CONTAINS INFORMATION THAT IS PROPRIETARY TO MOLEX INCORPORATED AND SHOULD NOT BE USED WITHOUT WRITTEN PERMISSION
		4 PLACES	± ---	± ---	CHECKED BY BCYOON	DATE 2009/03/17		
		3 PLACES	± 0	± ---	APPROVED BY EHJUNG	DATE 2009/03/17		
2 PLACES	± 0.15	± ---	MATERIAL NO. SEE TABLE 1	DOCUMENT NO. SD-49454-004				
1 PLACE	± 0.20	± ---	ANGULAR ± 1 °		DRAFT WHERE APPLICABLE MUST REMAIN WITHIN DIMENSIONS			