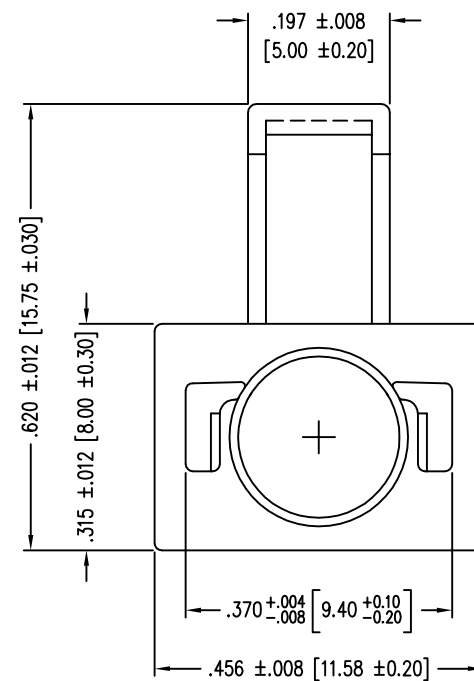
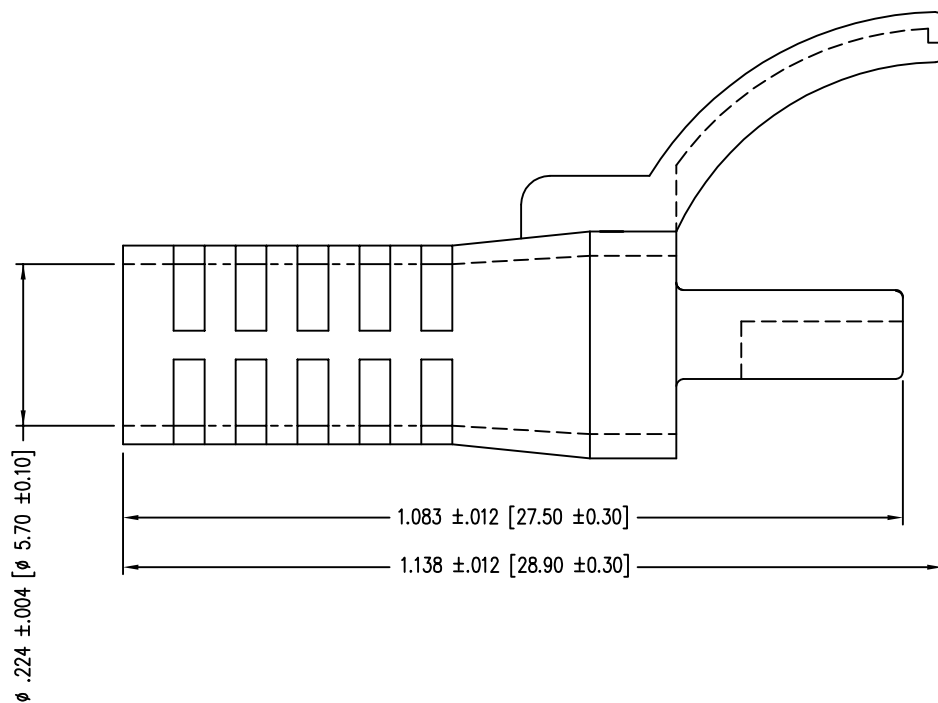
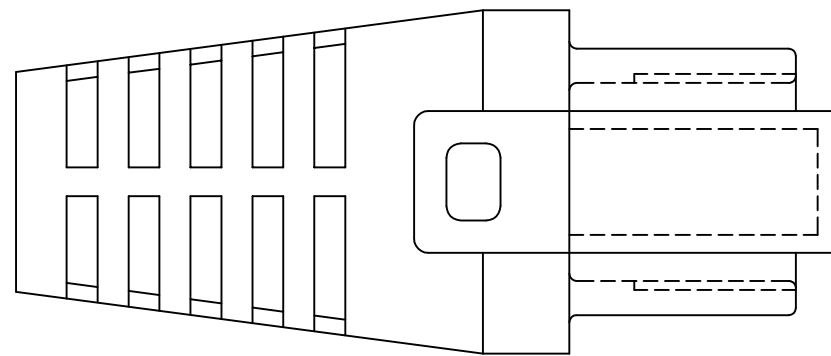


2

1

| DATE    | REV | ECN   | APP'D. BY |
|---------|-----|-------|-----------|
| 10-1-15 | A3  | 10434 | TRM       |
| 3-30-16 | A4  | 10653 | TRM       |
|         |     |       |           |
|         |     |       |           |



| PART NUMBER | COLOR  |
|-------------|--------|
| 450-034     | CLEAR  |
| 450-035     | YELLOW |
| 450-036     | WHITE  |
| 450-037     | RED    |
| 450-038     | GREEN  |
| 450-039     | GREY   |
| 450-040     | BLUE   |
| 450-041     | BLACK  |
| 450-042     | ORANGE |

NOTES:  
1. CONNECTOR MATERIALS:  
HOUSING: THERMOPLASTIC

B

B

A

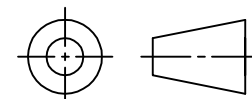
A



11118 Susquehanna Trail South  
Glen Rock, PA 17327-9199  
(717) 235-7512

<http://www.stewartconnector.com>

THIRD ANGLE PROJECTION



TITLE  
EXTERNAL STRAIN RELIEF BOOT

UNLESS OTHERWISE SPECIFIED  
DIMENSIONS ARE IN INCHES

TOLERANCES ARE:  
 ANGLES  $\pm 1^\circ$   
 2 PLC. DEC.  $\pm .010''$   
 3 PLC. DEC.  $\pm .003''$   
 4 PLC. DEC.  $\pm .0005''$   
 DO NOT SCALE DRAWING

|          |                  |       |         |
|----------|------------------|-------|---------|
| DRN BY:  | S.M. Neal        | DATE  | 12-4-12 |
| CHKD BY: | K.A. Crawford    | DATE  | 12-4-12 |
| APPD BY: | D.R. Imschweiler | DATE  | 12-4-12 |
| SHEET    | 1 OF 1           | SCALE | 1 : 1   |
| REV.     | A4               |       |         |

THIS DRAWING AND THE SUBJECT MATTER SHOWN THEREON ARE CONFIDENTIAL AND THE PROPRIETARY PROPERTY OF STEWART CONNECTOR AND SHALL NOT BE REPRODUCED, COPIED, OR USED IN ANY MANNER WITHOUT PRIOR WRITTEN CONSENT OF STEWART CONNECTOR. ONE OR MORE U.S. PATENTS MAY APPLY TO THIS PRODUCT. FOR DETAILS, PLEASE VISIT: [HTTP://BELFUSE.COM/STEWART/STEWART\\_PATENTS/](http://BELFUSE.COM/STEWART/STEWART_PATENTS/)

|                |           |
|----------------|-----------|
| TOOL NUMBER    | -         |
| PART NUMBER    | See Chart |
| DRAWING NUMBER | CT999096  |