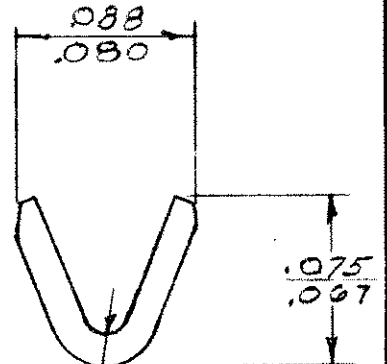
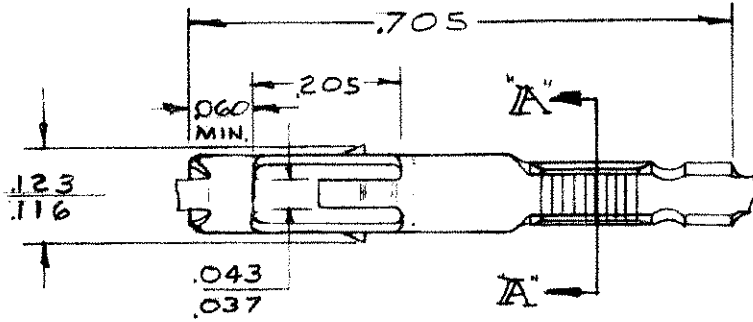


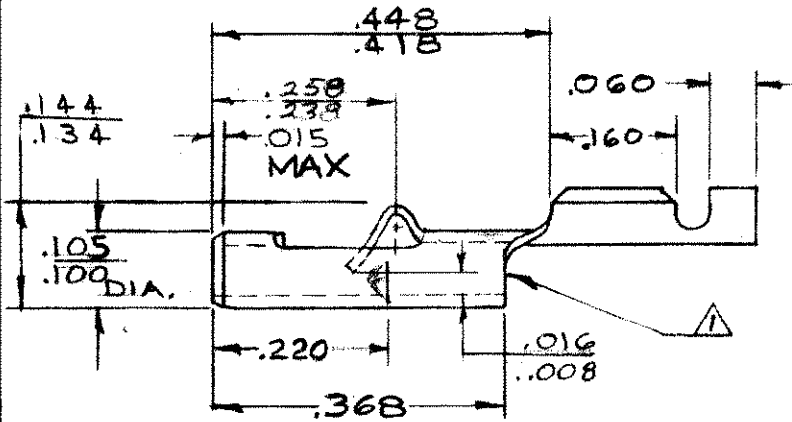
NUMBER
61962

Unpublished copy not to be reproduced nor published without written permission of AMP Incorporated



.026
.014 DIA.

SECT. "A"-A"



CONTINUOUS STRIP ON REELS

TERMINAL NUMBER
61962-1

NOTE

▲ ACCEPTS SOLID OR FUSED STRANDED WIRES, (#18-#20) OR STATOR TERMINAL P70-7400.

DIMENSIONS IN INCHES. DO NOT SCALE PRINT.

© 1973 BY AMP INCORPORATED. ALL RIGHTS RESERVED. AMP PRODUCTS COVERED BY PATENTS AND/OR PATENTS PENDING				CUSTOMER COPY REFERENCE ONLY	
MATERIAL AND FINISH				AMP INCORPORATED HARRISBURG, PENNA.	
.016 PHOS. BRONZE TIN				CLASS <u> </u>	
WIRE RANGE INSULATION TYPE				TYPE <u> </u>	
23-29 <u> </u>				LOC <u> </u> NO <u> </u>	
TOLERANCE EXCEPT AS NOTED ± .015 ± 1° 0'				AF <u> </u> A <u> </u> NO <u> </u> 61962	
NAME				REV <u> </u>	
STATOR TERMINAL				T	

T	Rev. Pk. 063A-0231-02	MIF	GDP	4-29-02
S	REMOVED INSULATION BARREL SEGRATIONS	3536	GRD	4/16/77
R	REVISED	3106	DRC	11-16-75
P	Revised	2442	ACC	6-8-73
N	REVISED-REDRAWN	47	APP	4/23/73
LTR	REVISION RECORD	ECN	CHK	DATE
DR	N. E. NEFF 4/23/73	DE	CHARLES FERNALD	4-23-73
CHK		APP		

9
PRINT 50