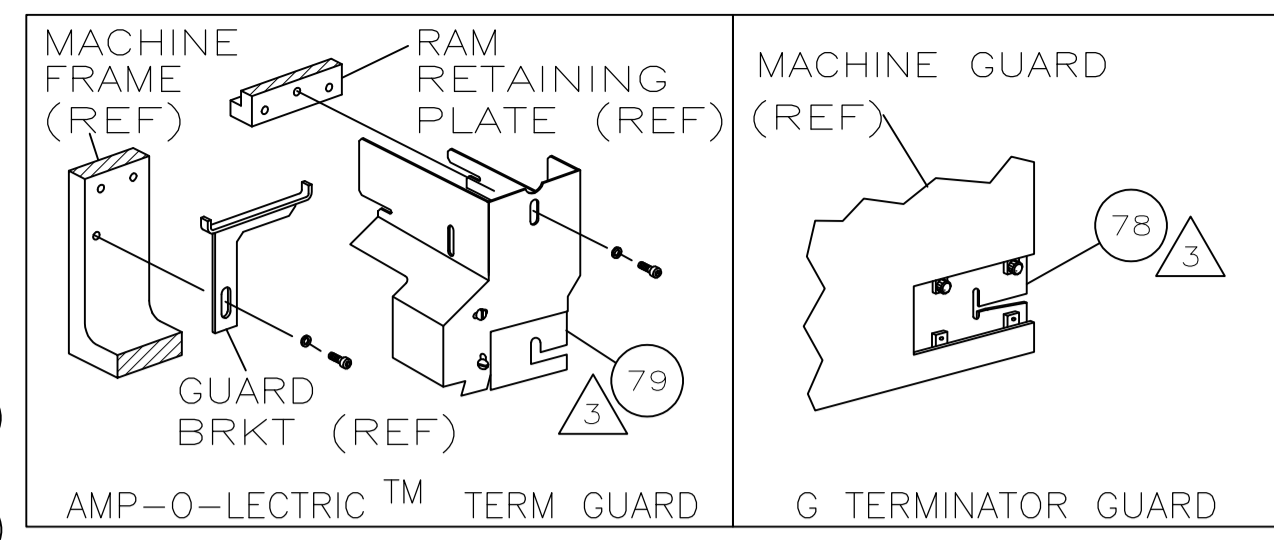


THIS DRAWING IS UNPUBLISHED. RELEASED FOR PUBLICATION.  
 © COPYRIGHT BY TYCO ELECTRONICS CORPORATION. ALL INTERNATIONAL RIGHTS RESERVED.

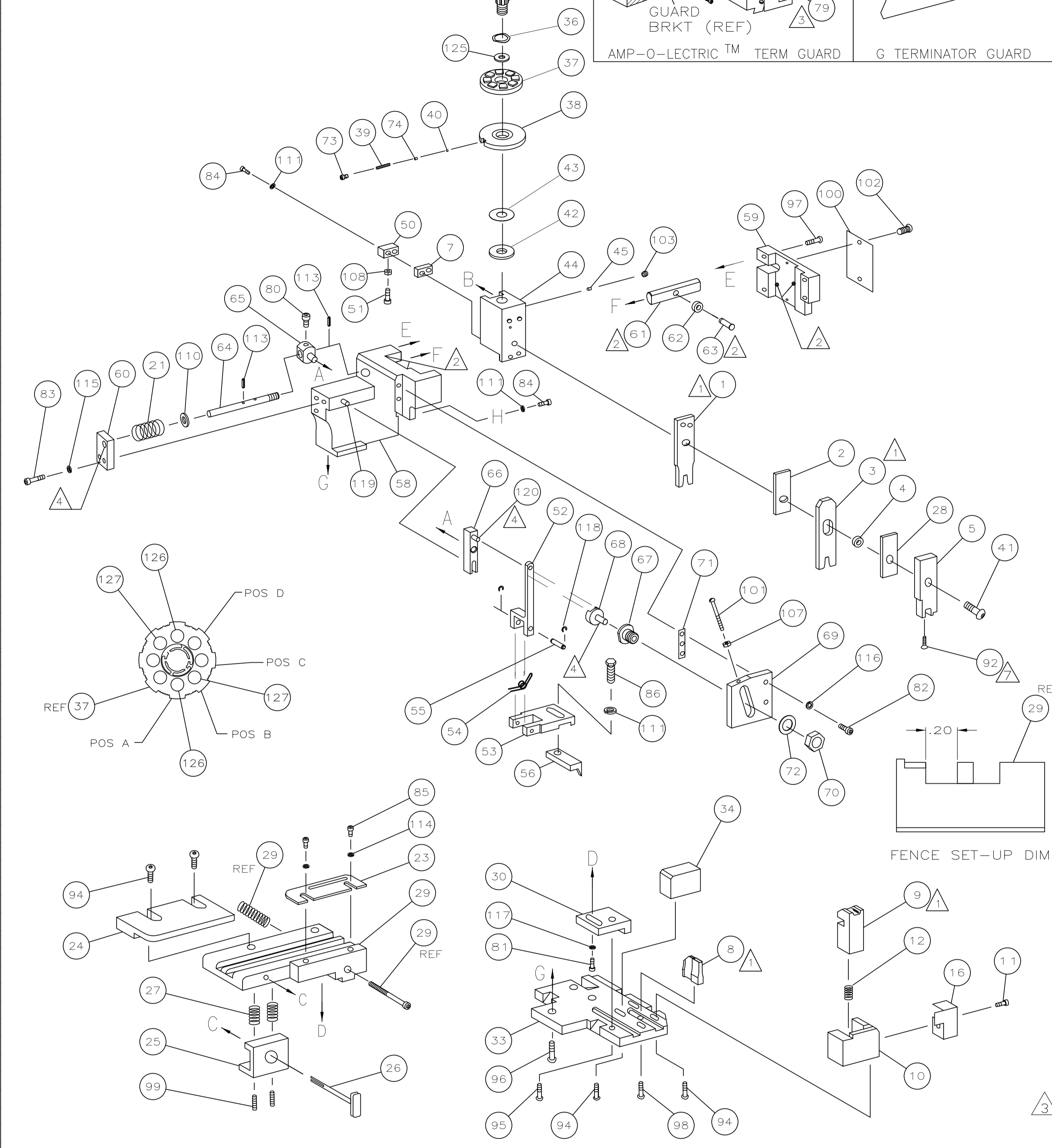
PART NUMBER	REV	FIRST USED
1385240-1	C	122500-1
1385240-2	C	565435-5
1385240-3	C	354500-1



TERMINAL NAME: TERM F M/P 150 SER

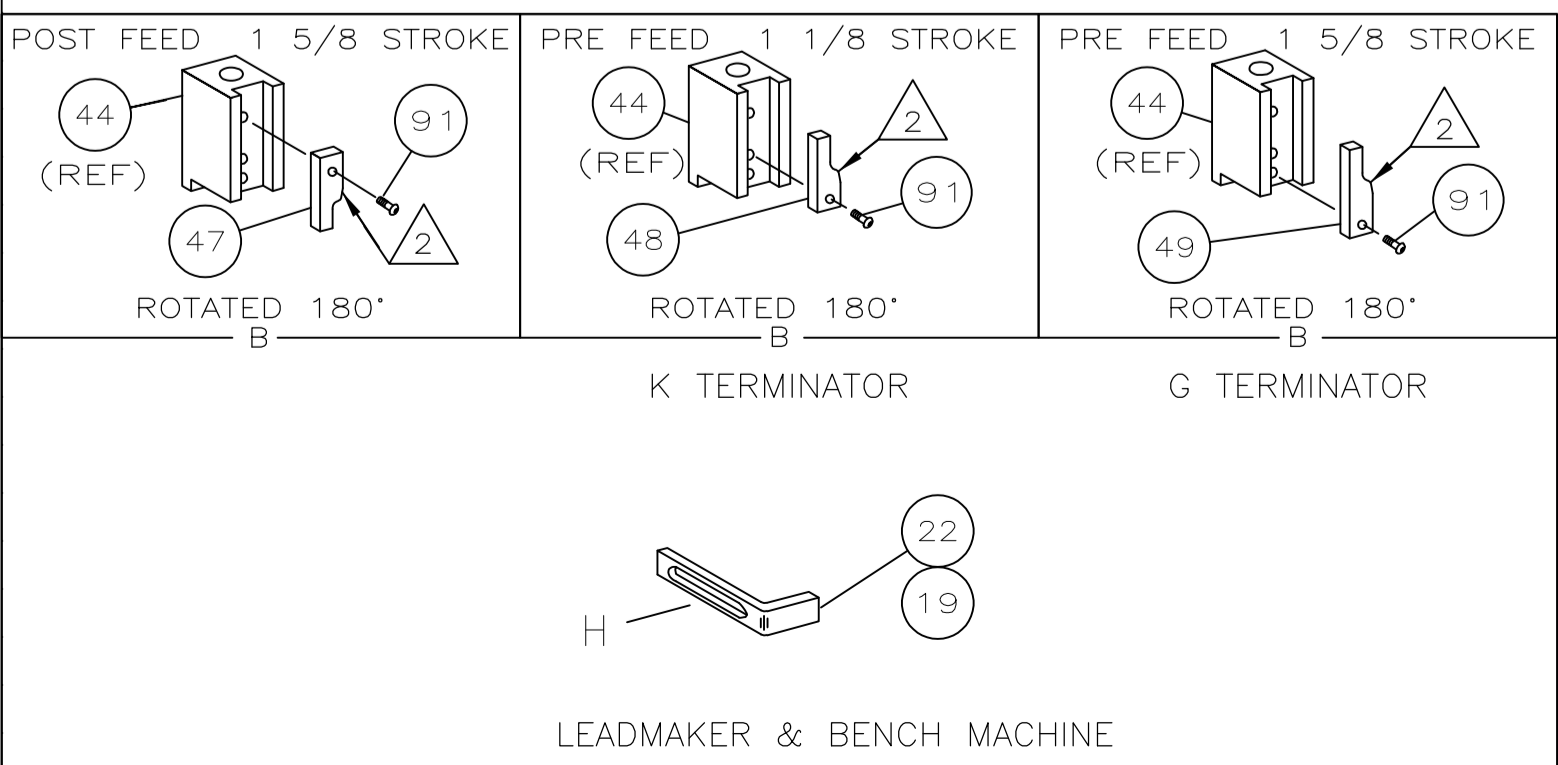
AMP PN	MFR PN	PACKARD TERMINAL	AMP CRIMP SPECS
286933	12084200	PAD LTR	CRIMP HEIGHT
		A	.043 ±.002 [1.09 ±0.05mm]
		B	.039 ±.002 [0.99 ±0.05mm]
		C	NOT USED
		D	NOT USED
		CRIMP	SIZE TYPE RANGE
		WIRE	.070 [1.78mm] F 22-20
		INSUL	.160 [4.06mm] 0 .087 MAX
WIRE STRIP LENGTH	TERM APPL SPEC	FEED	APPL INSTRUCTION SET UP GAGE LAYOUT
-	-	.481	408-8040 458637-1 L2511

LOC	DIST	REVISIONS			
A	66	REV	DESCRIPTION	DATE	BY
		C	ECR-09-013446	6-2009	MY



QTY	REF	REF	REF	REF	DESCRIPTION	ITEM NO
2	2	2	-	5-354779-4	PIN, WIRE DISC (.3260)B	129
2	2	2	-	4-354779-6	PIN, WIRE DISC (.3220)A	127
1	1	1	-	986950-1	WASHER, FLAT PRECISION	125
1	1	1	-	217238-1	GENERAL INSTRUCTION PACKAGE	124
1	1	1	-	4088040	SF APPL INST 408-8040	123
REF	REF	REF	-	1-21030-1	PIN, DOWEL (Ø.187x.50) LEVER	122
REF	REF	REF	-	1-21030-6	PIN, DOWEL (Ø.187x1.25) HOUSING	120
REF	REF	REF	-	21045-3	RING, RET "C" (Ø.187) FD FING PIN	119
1	1	1	-	21024-5	WASHER, LOCK (#10) ADJ BLOCK	118
REF	REF	REF	-	21024-5	WASHER, LOCK (#10) ADJ PLATE	117
REF	REF	REF	-	21024-5	WASHER, LOCK (#10) FEED GDE ROD	116
2	2	2	-	21024-2	WASHER, LOCK (#4) FRONT STP GUIDE	115
REF	REF	REF	-	5-21028-1	PIN, SLT SPR (Ø.125x.50) ADJ ROD	114
4	4	4	-	21024-4	WASHER, LOCK (#8) STRIPPER	113
REF	REF	REF	-	21899-4	WASHER, FLAT (Ø5/16) SCREW ADJ	112
1	1	1	-	21018-5	NUT, HEX (NO.6) HOLDDOWN	111
REF	REF	REF	-	21068-5	NUT, HEX (6-32) FEED ADJ	110
1	1	1	-	21009-2	SCR, SKT SET (1/4-20x.25 LW) RAM	109
2	2	2	-	21017-2	SCR, DRIVE (#2x.19) ID PLATE	108
REF	REF	REF	-	5-23715-5	SCR, PAN HD (6-32x1.50) FEED ADJ	107
1	1	1	-	461264-1	PLATE, IDENTIFICATION	106
2	2	2	-	5-21006-6	SCR, SET (10-32x.75) DRAG	105
1	1	1	-	22733-8	SCR, BHC (8-32x.38 LW) ANVIL	104
REF	REF	REF	-	2-21002-9	SCR, BHC (10-32x.75) CAP	103
REF	REF	REF	-	2-22733-8	SCR, BHC (1/4-20x.62) HOUSING	102
REF	REF	REF	-	2-21002-7	SCR, BHC (10-32x.50) SG ADJ BLOCK	101
6	6	6	-	2-21002-2	SCR, BHC (8-32x.50) TERM H DWN	100
2	2	2	-	2-21002-3	SCR, BHC (8-32x.62) R STP GDE	99
1	1	1	-	1-21003-9	SCR, FHC (6-32x.38) DEP	98
1	1	1	-	1-21002-7	SCR, BHC (6-32x.38) CAM	97
1	1	1	-	2-22603-0	SCR, HEX HD (8-32x.31) FEED FINGER	96
2	2	2	-	1-21000-3	SCR, SHC (4-40x.25) F ST GUIDE	95
3	3	3	-	2-21000-7	SCR, SHC (8-32x.50) STRIPPER	94
REF	REF	REF	-	3-21000-7	SCR, SHC (10-32x.75) FEED ROD GD	93
REF	REF	REF	-	3-21000-6	SCR, SHC (10-32x.62) FD ADJ BLK	92
1	1	1	-	3-21000-4	SCR, SHC (10-32x.38) SG ADJ BL	91
REF	REF	REF	-	3-21000-4	SCR, SHC (10-32x.38) PIVOT BLK	90
-	REF	-	-	455749-1	GUARD, WINDOW	89
REF	-	-	-	679532-1	INSERT, GUARD	88
1	1	1	-	690603-1	SPRING, ASSIST	87
1	1	1	-	23030-1	SCR, SHC (6-32x.25 SL) INS DISC	86
REF	REF	REF	-	458109-1	WASHER, SPECIAL	85
REF	REF	REF	-	690517-1	SPACER	84
-3	-2	-1	U/M	PART NO	DESCRIPTION	ITEM NO
QTY REQD PER ASSY					PARTS LIST	

QTY	REF	REF	REF	REF	DESCRIPTION	ITEM NO
REF	REF	REF	-	22594-8	NUT, HEX (1/2-20)	70
REF	REF	REF	-	240628-1	PLATE, ADJUSTMENT	69
REF	REF	REF	-	240626-1	SHAFT, PIVOT	68
REF	REF	REF	-	240633-1	BUSHING	67
REF	REF	REF	-	455680-1	LEVER, INTERMEDIATE	66
REF	REF	REF	-	240629-1	BLOCK, PIVOT	65
REF	REF	REF	-	240632-2	SCREW, ADJ FEED ROD	64
REF	REF	REF	-	240659-3	PIN, CAM ROLLER	63
REF	REF	REF	-	240658-1	ROLLER, CAM	62
REF	REF	REF	-	454398-2	ROD, FEED	61
REF	REF	REF	-	454178-1	GUIDE, FEED ROD	60
REF	REF	REF	-	454220-1	CAP, RAM	59
REF	REF	REF	-	454485-1	HOUSING	58
1	1	1	-	458537-2	PAWL, FEED	57
REF	REF	REF	-	240624-1	PIN, FEED FINGER	56
REF	REF	REF	-	691499-1	SPRING, FEED FINGER	55
REF	REF	REF	-	690541-1	HOLDER, FEED FINGER	54
REF	REF	REF	-	455679-2	LEVER, TERMINAL FEED ARM	53
1	1	1	-	811242-2	BUMPER, HOLDDOWN	52
1	1	1	-	690753-1	SPACER, TONKER	51
1	-	-	-	690602-6	CAM, PRE-FEED 1 5/8 ST	50
-	1	-	-	690602-5	CAM, PRE-FEED 1 1/8 ST	49
-	-	1	-	690501-4	CAM, POST-FEED 1 5/8 ST	48
1	1	1	-	459456-2	APPLICATOR, BASIC (SUBASSY)	47
1	1	1	-	690191-1	PLUG, NYLON	46
1	1	1	-	455673-1	RAM	45
1	1	1	-	690125-1	WASHER, LAMINATED	44
1	1	1	-	690124-1	WASHER, RAM	43
1	1	1	-	7-21002-9	BOLT, CRIMPER (5/16x1.00)	42
1	1	1	-	23241-6	BALL, STEEL	41
1	1	1	-	690170-1	SPRING, COMPRESSION	40
1	1	1	-	690142-1	DISC, INSULATION	39
1	1	1	-	354777-1	WIRE DISC, PLASTIC	38
1	1	1	-	22480-5	WASHER, SPRING	37
1	1	1	-	690212-1	POST, RAM	36
1	1	1	-	2-690786-3	SUPPORT, TERMINAL	35
REF	REF	REF	-	455675-1	PLATE, BASE	34
REF	REF	REF	-			33
REF	REF	REF	-			32
REF	REF	REF	-			31
REF	REF	REF	-	455689-1	BLOCK, STRIP GUIDE ADJ	30
1	1	1	-	318042-1	STRIP GUIDE PLATE ASSY	29
1	1	1	-	455888-6	SPACER, FRONT SHEAR DEP	28
2	2	2	-	1-22284-0	SPRING, DRAG	27
1	1	1	-	690546-1	LEVER, DRAG RELEASE	26
1	1	1	-	240792-1	DRAG, TERMINAL	25
1	1	1	-	2-90765-5	GUIDE, STRIP (REAR)	24
1	1	1	-	690438-1	GUIDE, STRIP (FRONT)	23
-	-	1	-	690472-2	STRIPPER	22
REF	REF	REF	-	4-22284-9	SPRING, FEED RETURN	21
1	1	-	-	690472-1	STRIPPER	20
1	1	-	-	318563-1	GUARD, CHIP, FRONT	19
1	1	1	-			18
1	1	1	-			17
1	1	1	-			16
1	1	1	-			15
1	1	1	-			14
1	1	1	-			13
1	1	1	-	3-22280-3	SPRING, SHEAR	12
1	1	1	-	690461-2	STOP, SHEAR	11
1	1	1	-	1-690459-0	HOLDER, SHEAR (FRONT)	10
1	1	1	-	318707-2	SHEAR, FLOAT (FRONT)	9
1	1	1	-	4-662185-1	ANVIL	8
1	1	1	-	1-240641-7	SPACER, DEPRESSOR (REAR)	7
1	1	1	-			6
1	1	1	-	318701-1	DEPRESSOR, SHEAR (FRONT)	5
1	1	1	-	1-230811-0	SPACER, BLOCK CRIMPER	4
1	1	1	-	1-904741-9	CRIMPER, INSULATION	3
1	1	1	-	1-455888-6	SPACER, CRIMPER	2
1	1	1	-	3-456404-9	CRIMPER, WIRE	1
-3	-2	-1	U/M	PART NO	DESCRIPTION	ITEM NO
QTY REQD PER ASSY					PARTS LIST	



- 1 RECOMMENDED SPARE PARTS.
- 2 GREASE LIGHTLY.
- 3 GUARD MUST BE IN PLACE WHEN OPERATING APPLICATOR IN A BENCH MACHINE.
- 4 LUBRICATE DAILY USING NO. 20 MACHINE OIL.
- 5. ITEMS WITH QTY OF REF SPECIFIED (EXCEPT ITEMS 78 AND 79) ARE USED ON ITEM 46.
- 6 APPLICATOR APPLIES TERMINAL WITH SEAL PN 12052925.
- 7 APPLY TORQ-SEAL IN ALLEN SOCKET TO FILL HOLE AFTER FLAT HD HAS BEEN ADJUSTED TO CORRECT HEIGHT AT QUALIFICATION. APPLY PN 1-23419-5 LOC-TITE TO THREADS.

THIS DRAWING IS A CONTROLLED DOCUMENT.

DIMENSIONS: INCHES  
 TOLERANCES UNLESS OTHERWISE SPECIFIED:  
 0 PLC ± .005  
 1 PLC ± .002  
 2 PLC ± .001  
 3 PLC ± .0005  
 4 PLC ± .0002  
 ANGLES ± .005

MATERIAL: - FINISH: -  
 WEIGHT: -  
 CUSTOMER DRAWING: -

THIS DRAWING IS A CONTROLLED DOCUMENT.  
 C. REICHELDERFER  
 J. ELBIN  
 Tyco Electronics Corporation  
 Harrisburg, PA 17105-3608  
 SIDE FEED HDM APPLICATOR  
 SIZE: A1 CASE CODE: 00779 DRAWING NO: 1385240  
 RESTRICTED TO: -  
 SCALE: - SHEET: 1 of 1 REV: C