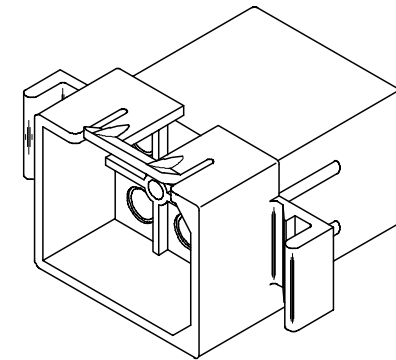
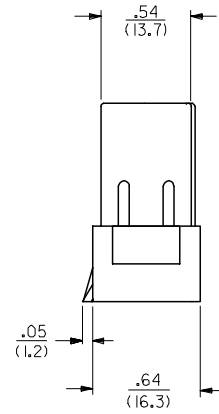
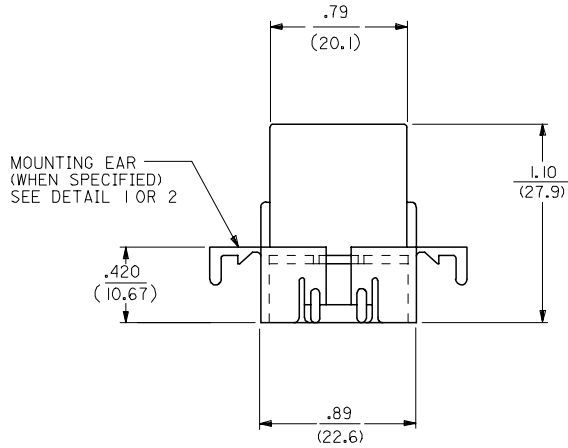
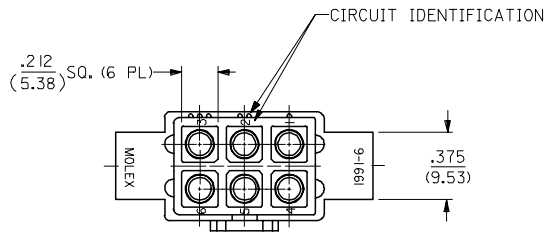
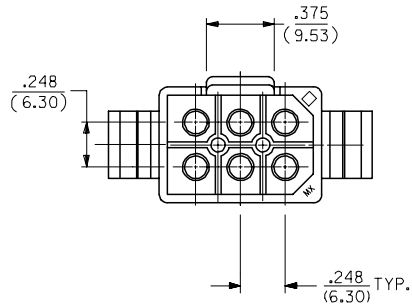


**PLUG**



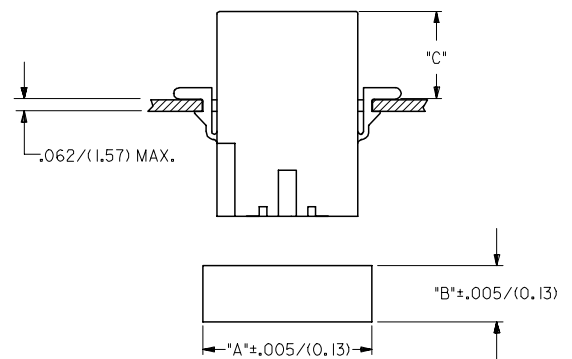
**PLUG HOUSING**



UPDATE TITLE BLOCK EC NO: UCP2007-1498 DRAWN: AELHAG 2007/04/04 CHKD: AELHAG 2007/04/04 APPR: FSM TH 2007/04/04 REV: DESCRIPTION	QUALITY SYMBOLS ▽=0 ▽=0	GENERAL TOLERANCES (UNLESS SPECIFIED) <table border="1"> <thead> <tr> <th></th> <th>mm</th> <th>INCH</th> </tr> </thead> <tbody> <tr> <td>4 PLACES</td> <td>± .10</td> <td>± .004</td> </tr> <tr> <td>3 PLACES</td> <td>± .12</td> <td>± .005</td> </tr> <tr> <td>2 PLACES</td> <td>± 0.25</td> <td>± .010</td> </tr> <tr> <td>1 PLACE</td> <td>± 0.36</td> <td>± .014</td> </tr> </tbody> </table> ANGULAR ± 1 °		mm	INCH	4 PLACES	± .10	± .004	3 PLACES	± .12	± .005	2 PLACES	± 0.25	± .010	1 PLACE	± 0.36	± .014	DIMENSION STYLE IN/MM	SCALE 2:1	DESIGN UNITS INCH	THIRD ANGLE PROJECTION
		mm	INCH																		
4 PLACES	± .10	± .004																			
3 PLACES	± .12	± .005																			
2 PLACES	± 0.25	± .010																			
1 PLACE	± 0.36	± .014																			
DRAWN BY JJS	DATE 1988/02/25	CHECKED BY RW	DATE 1988/02/25	APPROVED BY RAS	DATE 1988/02/25	MATERIAL NO. SEE CHART															
DRAFT WHERE APPLICABLE MUST REMAIN WITHIN DIMENSIONS		SIZE C		THIS DRAWING CONTAINS INFORMATION THAT IS PROPRIETARY TO MOLEX INCORPORATED AND SHOULD NOT BE USED WITHOUT WRITTEN PERMISSION		SHEET NO. 1 OF 3															

TITLE  
 .093/(2.36) HOUSINGS  
 PLUG AND RECEPTACLE  
 6 CKT, .248/(6.30) CTRS.  
 MOLEX INCORPORATED  
 DOCUMENT NO.  
 SD-1991-6\*

PLUG			RECEPTACLE		
PART NO.	ENG. NO.	PKG. INFORMATION	PART NO.	ENG. NO.	PKG. INFORMATION
I9-09-2061	I991-6P	PK-1991-001	I9-09-1061	I991-6R	PK-1991-001
I9-09-2062	I991-6P1	PK-1991-001	I9-09-1062	I991-6R1	PK-1991-002
I9-09-7061	I991-6PBK	PK-1991-001	I9-09-6061	I991-6RBK	PK-1991-001
I9-09-7062	I991-6P1BK	PK-1991-001	I9-09-1068	I991-6R1-B	PK-1991-001

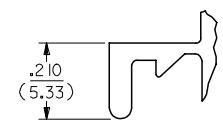


HOUSING	DIM. "A"	DIM. "B"	DIM."C" STD.EAR	DIM."C" PREBENT
PLUG	1.048/(26.62)	.658/(16.71)	.51/(12.9)	.52/(13.2)
RECEPTACLE	.946/(24.03)	.608/(15.44)	.53/(13.5)	.54/(13.7)

- NOTES:
- MATERIAL CODES:  
A - NYLON TYPE 6/6, UL 94V-2  
B - NYLON TYPE 6/6, UL 94V-0
  - FINISH: N/A
  - PRODUCT SPECIFICATION: PS-02-09
  - PACKAGING SPECIFICATION: SEE CHART
  - HOUSINGS FOR USE WITH MOLEX STD. .093/(2.36) TYPE TERMINALS.
  - PARTS CONFORM TO CLASS B REQUIREMENTS OF COSMETIC SPECIFICATION PS-45499-002.

**LEGEND:**  
 1991-6\*\*\*\*-\*

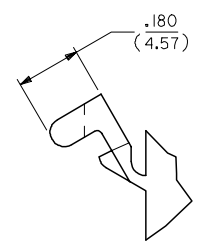
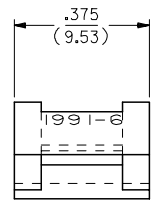
CIRCUIT SIZE  
 P = PLUG  
 R = RECEPTACLE



BLANK = WITH STANDARD EARS  
 1 = WITHOUT EARS  
 2 = WITH PREBENT EARS, PER DETAIL 2

COLOR: BLANK=NATURAL COLOR  
 AM=AMBER BK=BLACK BU=BLUE  
 BN=BROWN CY=GRAY GN=GREEN  
 OR=ORANGE RD=RED YW=YELLOW

BLANK = MATERIAL CODE A  
 B = MATERIAL CODE B



**DETAIL 2**  
 PREBENT MOUNTING EAR  
 (SCALE 4:1)

ADD NOTES 2,4&6 EC NO: UCP2007-1498 DRWNA:ELHAG 2007/04/04 CHKD:ALHAG 2007/04/04 APPR:FSM TH 2007/04/04 REVISIONS	QUALITY SYMBOLS	GENERAL TOLERANCES (UNLESS SPECIFIED)	DIMENSION STYLE IN/MM	SCALE 2:1	DESIGN UNITS INCH	THIRD ANGLE PROJECTION
	$\nabla=0$ $\nabla=0$	4 PLACES ± --- ± --- 3 PLACES ± --- ± .010 2 PLACES ± 0.25 ± .014 1 PLACE ± 0.36 ± --- ANGULAR ± 1 °	DRAWN BY JJS DATE 1988/03/01 CHECKED BY RW DATE 1988/03/01 APPROVED BY RAS DATE 1988/03/01	TITLE	.093/(2.36) HOUSINGS, PLUG AND RECEPTACLE, 6 CKT, .248/(6.30) CTRS.	
	DRAFT WHERE APPLICABLE MUST REMAIN WITHIN DIMENSIONS	SEE CHART	MATERIAL NO.	DOCUMENT NO.	SD-1991-6*	
			THIS DRAWING CONTAINS INFORMATION THAT IS PROPRIETARY TO MOLEX INCORPORATED AND SHOULD NOT BE USED WITHOUT WRITTEN PERMISSION		SHEET NO.	3 OF 3