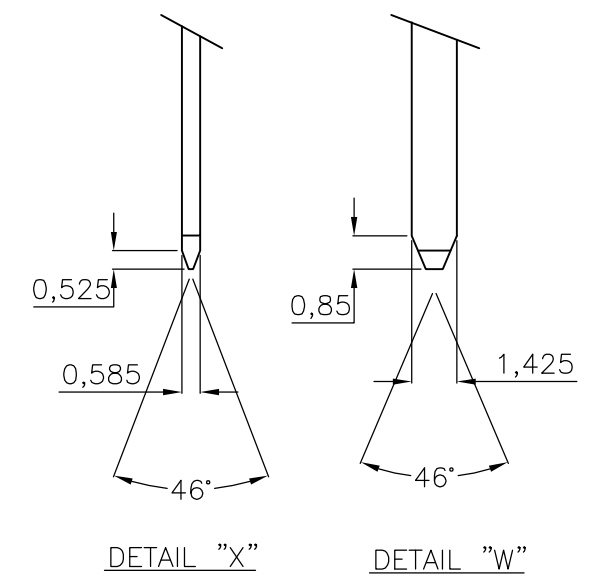
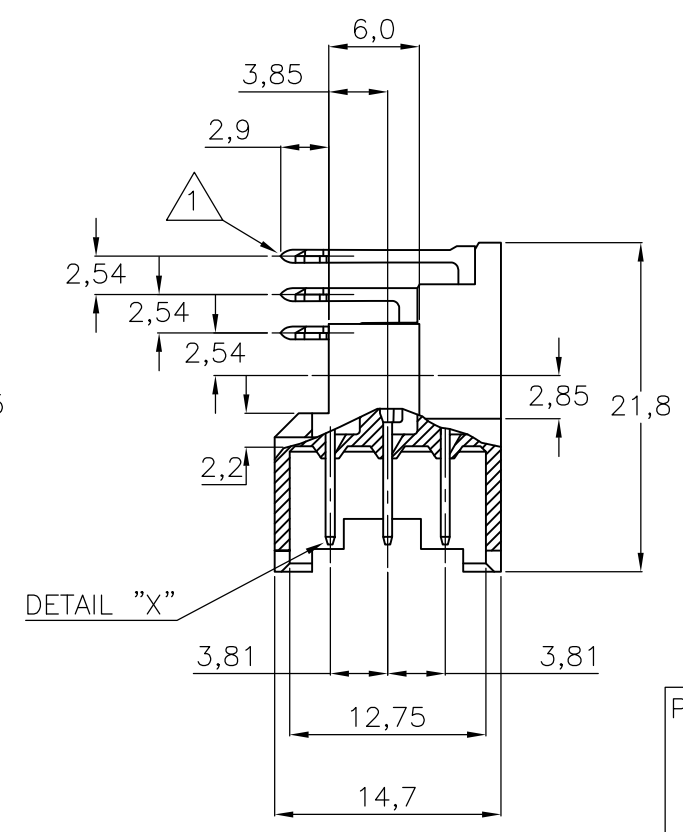
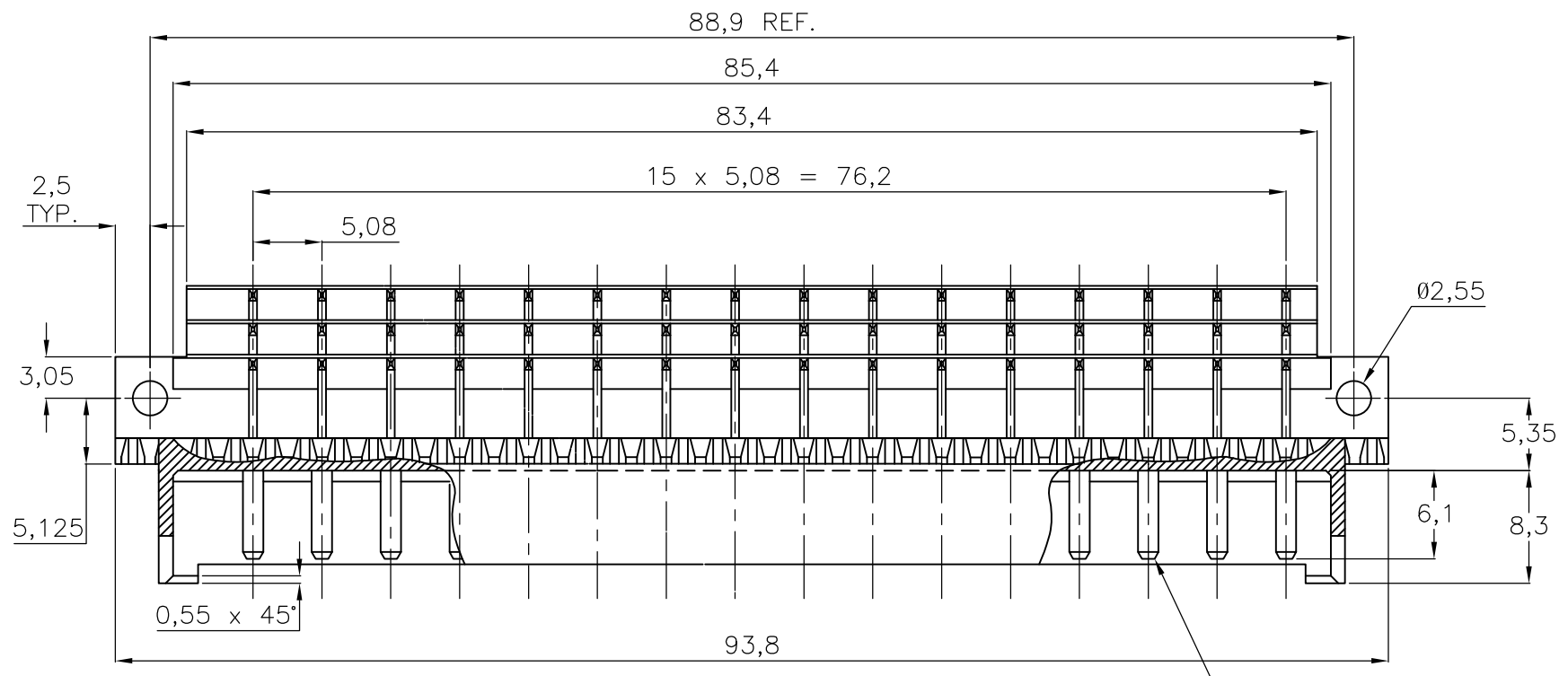


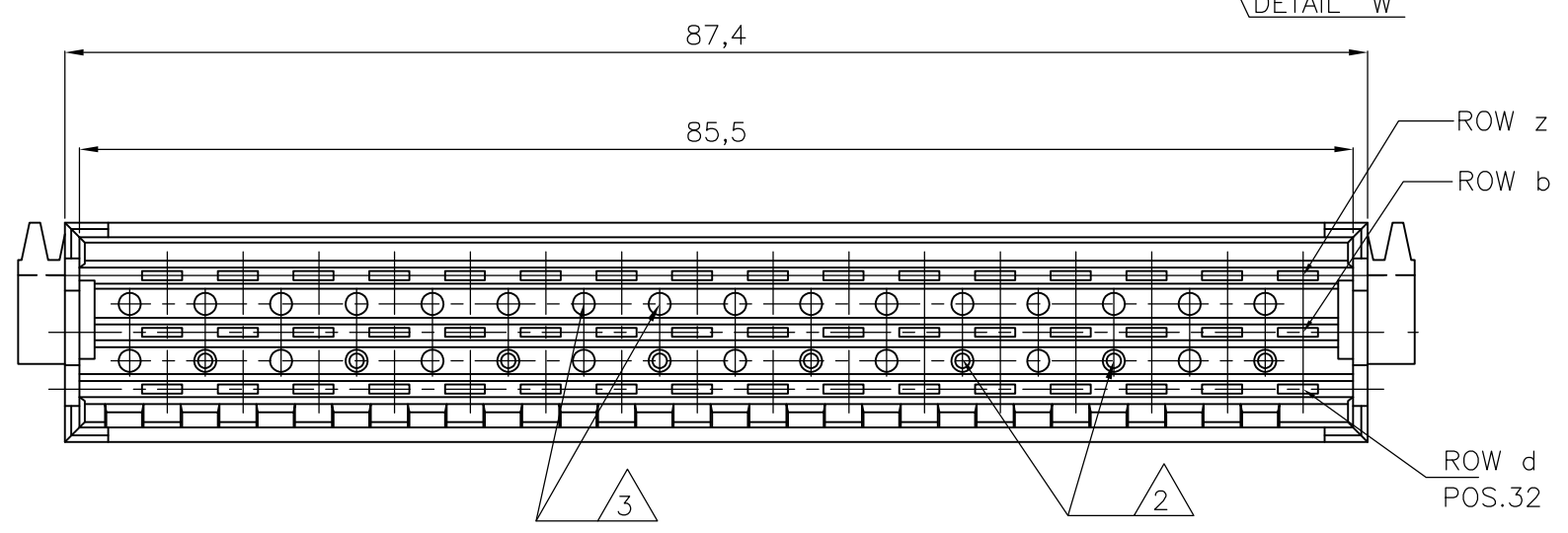
THIS DRAWING IS UNPUBLISHED. RELEASED FOR PUBLICATION
 © COPYRIGHT BY TYCO ELECTRONICS CORPORATION. ALL INTERNATIONAL RIGHTS RESERVED.

LOC	DIST	REVISIONS					
		P	LTR	DESCRIPTION	DATE	DWN	APVD
H	-	F	EH-0186-94		23-03-94	RVL	-
		G	ECR-07-020965		26-08-08	AEG	MKO

- NOTES:
- 1 ACTION-PIN AREA SUITABLE FOR P.C.B.-THICKNESS 1,6 mm.
 - 2 8 KEYING HOLES SUITABLE FOR KEYING PIN P.N.215916-1
 - 3 KEYING HOLES CAN BE DRILLED BY CUSTOMER.



P.C.B. HOLE DIM. ACTION PIN
 DRILLED HOLE : 1,15 ± 0,025 mm
 FIN. HOLE : 0,94 to 1,09 mm
 AFTER REFLOW : 0,91 to 1,09 mm
 Cu-thks : 0,025 to 0,075 mm
 SnPb-thks : 0,004 to 0,010 mm



OBSOLETE	SAME AS -1 ONLY 0,8µm AU.	HOUSING:GLASSFILLED POLYESTER(GREY) CONTACTS: PHOSPHORBRONZE	215435-4 215435-1
FINISH		MATERIAL	PN

CONTACT No.	2	4	6	8	10	12	14	16	18	20	22	24	26	28	30	32
F 48 ROW z	x	x	x	x	x	x	x	x	x	x	x	x	x	x	x	x
b	x	x	x	x	x	x	x	x	x	x	x	x	x	x	x	x
d	x	x	x	x	x	x	x	x	x	x	x	x	x	x	x	x

AN ASTERISK „X” DENOTES A CONTACT.

THIS DRAWING IS A CONTROLLED DOCUMENT.

DIMENSIONS: mm	TOLERANCES UNLESS OTHERWISE SPECIFIED:	DWN R.V.LOKVEN 03JUN86	 Tyco Electronics Corporation 's-Hertogenbosch, Nederland
	0 PLC ± -	CHK J.GRUNSVEN 24JUN86	
	1 PLC ± -	APVD L.V.SOEST 10JUL86	
	2 PLC ± -	PRODUCT SPEC -	
MATERIAL -	FINISH -	3 PLC ± -	NAME 48 POS. DIN 41612 F MALE 90° ACTION PIN CONNECTOR
		4 PLC ± -	SIZE A3 CAGE CODE 00779 DRAWING NO C-215435 RESTRICTED TO -
		ANGLES ± -	WEIGHT -
		FINISH ± -	CUSTOMER DRAWING SCALE NTS SHEET 1 OF 1 REV G