

1. INTRODUCTION

NOTE



Dimensions in this instruction sheet are in metric units [with U.S. customary units in brackets]. Figures are not drawn to scale.

Extraction Tool 91104-1 is designed to remove a locking clip contact from a .031x.062-in. printed circuit (pc) board post or a locking clip connector (for .031x.062-in. posts). See Figure 1. Read these instructions thoroughly before extracting any contacts.

Reasons for reissue of this instruction sheet are provided in Section 6, REVISION SUMMARY.

2. DESCRIPTION

This tool features a handle and a hooked tip for extracting a contact from a post and a tapered tip for extracting a contact from a connector.

3. EXTRACTION

3.1. From Posts (See Figure 1, Detail A)

1. Align the hooked tip with the contact.
2. Position the hooks under the contact spring, and hold the wire against the tool.
3. Keeping the tool parallel with the contact, pull straight up on the tool and wire. The contact should extract easily.

CAUTION



The tool must be kept parallel with the contact being removed; otherwise, damage to the tool, contact, and/or post may result.

3.2. From Connectors (See Figure 1, Detail B)

CAUTION



The connector must be removed from the posts before using the extraction tool.

1. Align the tapered tip with the applicable tool slot located on either side of the connector. Make sure that the tapered side of the tool tip is facing the contact to be removed.
2. Insert the tool through the connector until it bottoms. The locking lance of the contact to be removed should now be released.
3. Grip the wire of the contact to be removed, and pull the contact straight out of the connector. The contact should extract easily.
4. Remove the tool.

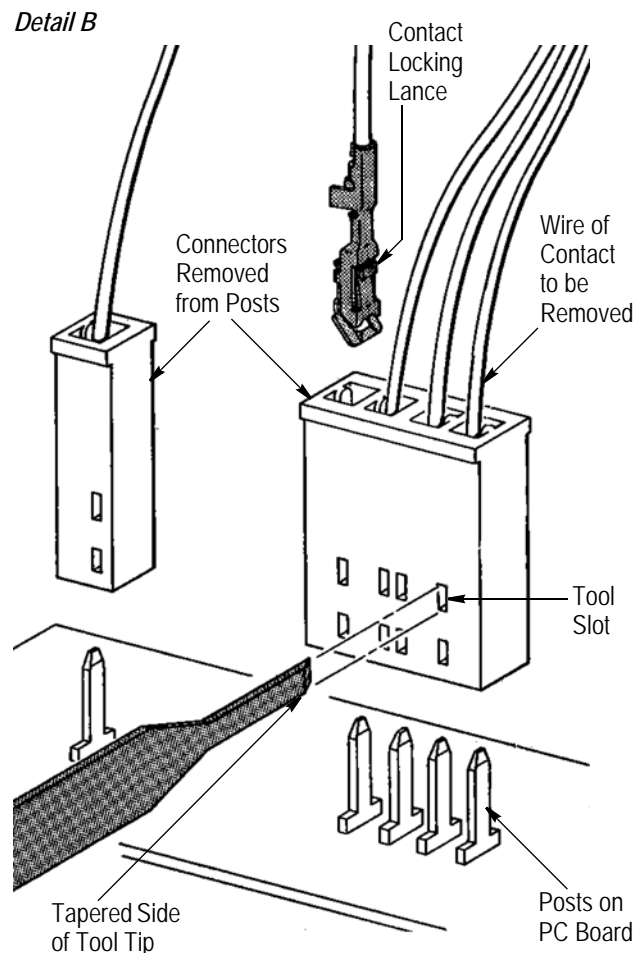
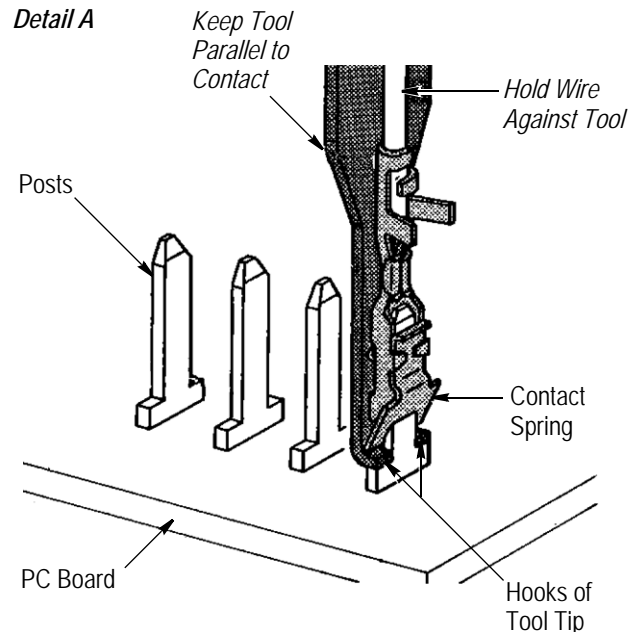


Figure 1

4. MAINTENANCE AND INSPECTION

The extraction tool should be inspected against the information in Figure 2. It is recommended that the tool be inspected immediately upon arrival, and at regularly scheduled intervals, to ensure that the tool is not defective or damaged.

5. REPLACEMENT AND REPAIR

Order extraction tools through your Representative, or call 1-800-526-5142, or send a facsimile of your purchase order to 1-717-986-7605, or write to:

CUSTOMER SERVICE (038-035)
TYCO ELECTRONICS CORPORATION
PO BOX 3608
HARRISBURG PA 17105-3608

6. REVISION SUMMARY

Revisions to this instruction sheet include:

- Changed company name and logo
- Replaced address in Section 5

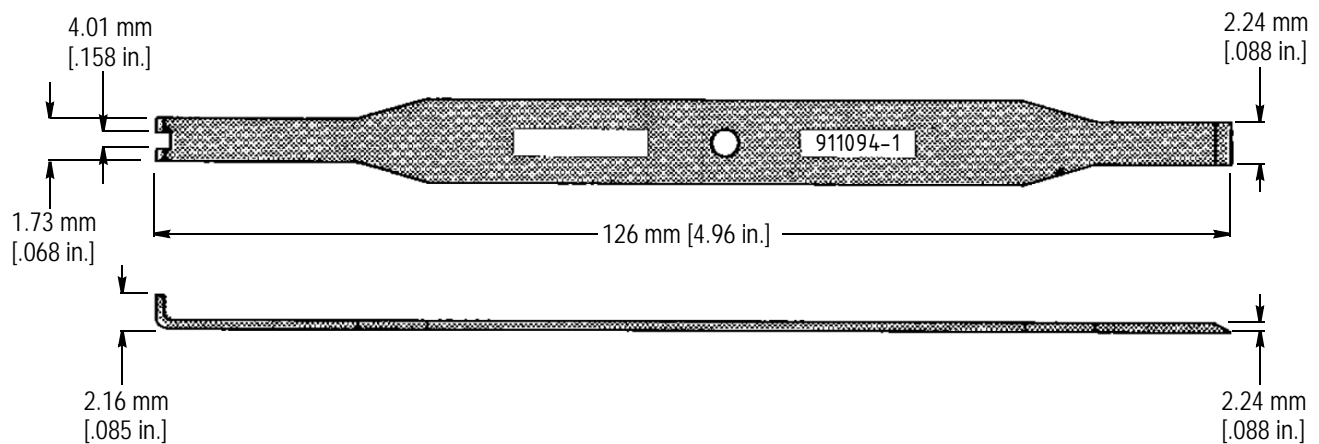


Figure 2