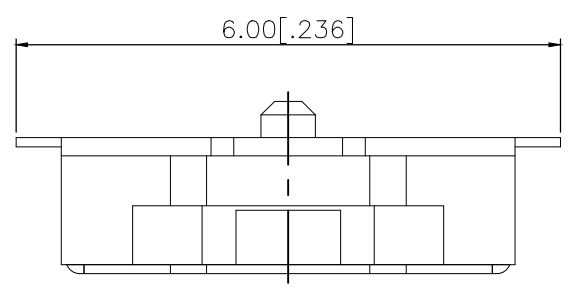
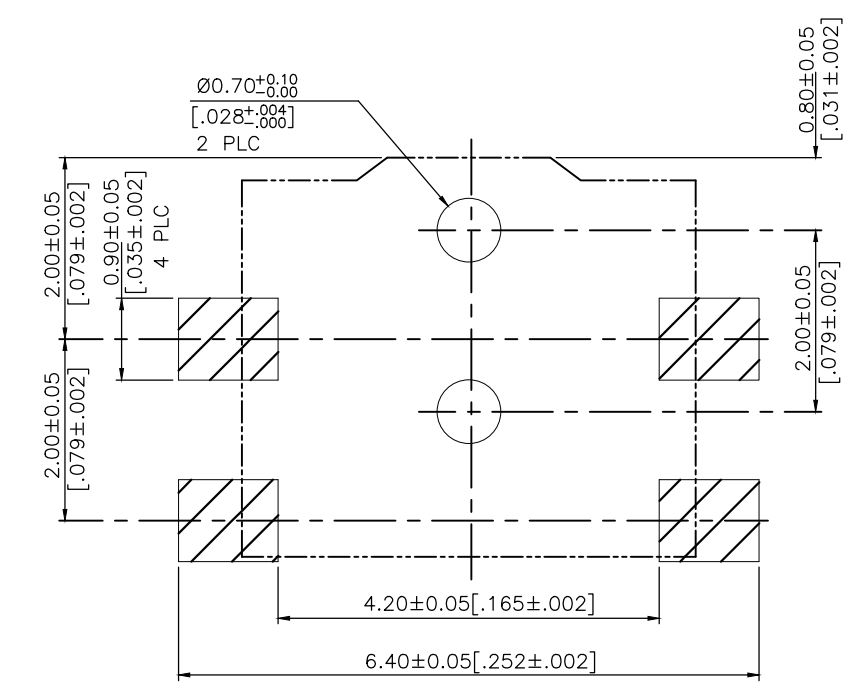
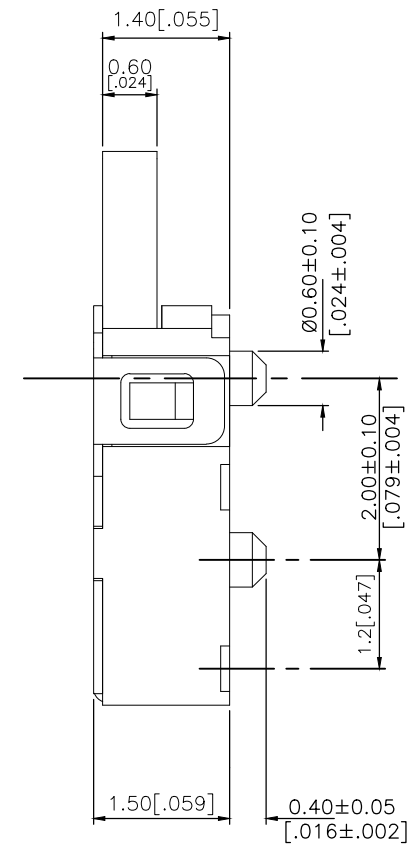
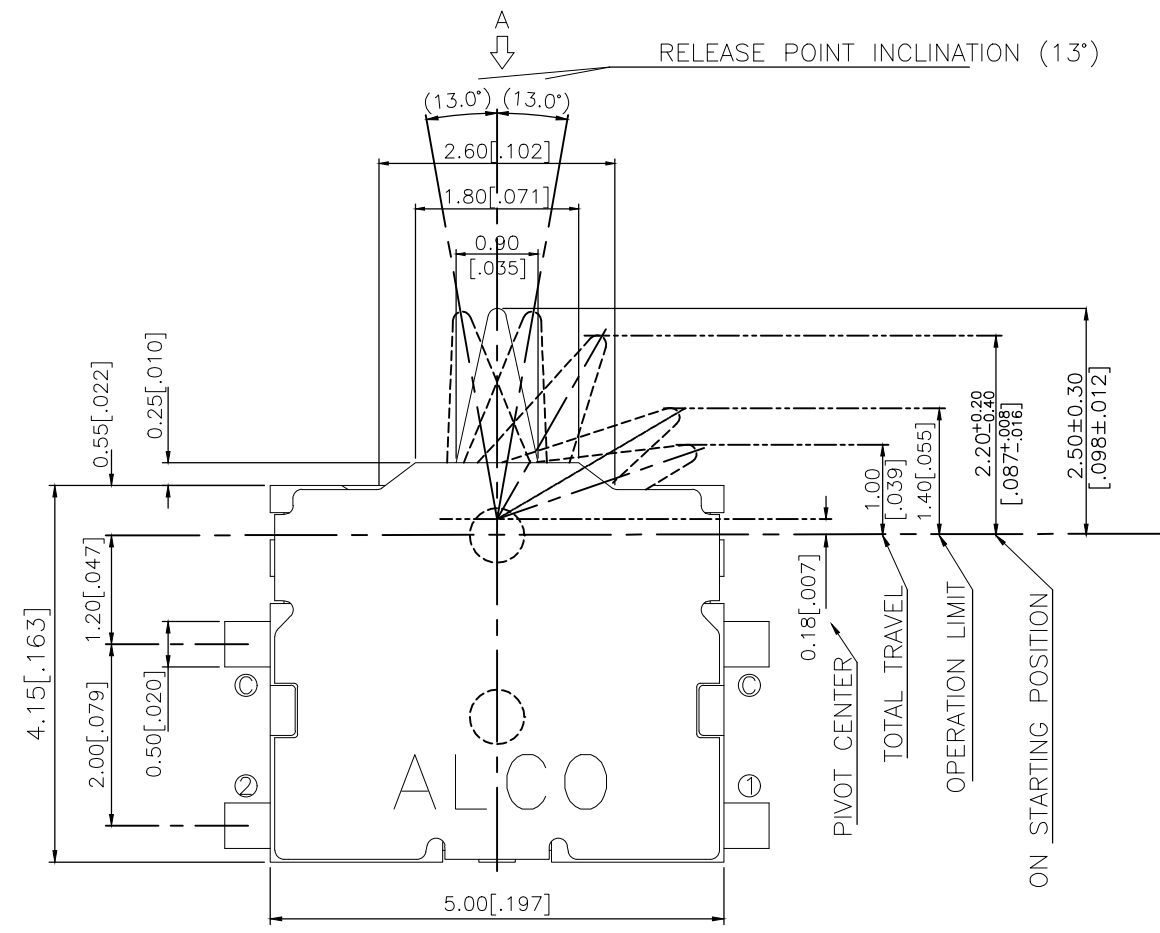


THIS DRAWING IS UNPUBLISHED. RELEASED FOR PUBLICATION  
 © COPYRIGHT - TE Connectivity Ltd. ALL RIGHTS RESERVED.

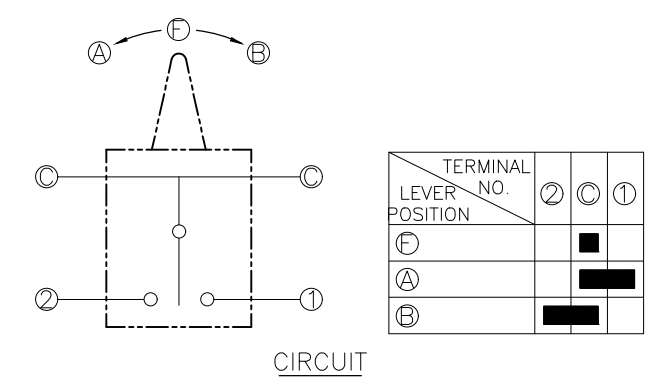
REVISIONS				
P	LTR	DESCRIPTION	DATE	APVD
	A	ECR-18-012767	14AUG2018	RSM AS



2331383-1  
AS SHOWN



P.C.B. LAYOUT  
(VIEW FROM THE DIRECTION A)



THIS DRAWING IS A CONTROLLED DOCUMENT.		DWN GANESH C M 07MAR2018	TE Connectivity Ltd.	
DIMENSIONS: mm [INCHES]		CHK ALEXANDER SHARPE 07MAR2018		
TOLERANCES UNLESS OTHERWISE SPECIFIED:		APVD ALEXANDER SHARPE 07MAR2018	NAME SWITCH, DETECTOR, JJI SERIES, 5.0X4.4mm, HORIZONTAL, SMT, WITH POSTS	
0 PLC ± - 1 PLC ± - 2 PLC ± 0.20 [0.008] 3 PLC ± - 4 PLC ± - ANGLES ± -		PRODUCT SPEC -	DRAWING NO C-2331383	
MATERIAL -		FINISH -	SIZE A3	RESTRICTED TO -
		WEIGHT -	CAGE CODE 00779	SHEET 1 OF 3
			DRAWING NO C-2331383	REV A
			SCALE NTS	

THIS DRAWING IS UNPUBLISHED.

RELEASED FOR PUBLICATION

© COPYRIGHT - TE Connectivity Ltd.

ALL RIGHTS RESERVED.

REVISIONS

P	LTR	DESCRIPTION	DATE	DWN	APVD
-	-	SEE SHEET 1	-	-	-

NOTES:

1. MATERIALS

ACTUATOR: THERMOPLASTIC, BLACK  
 BODY: THERMOPLASTIC, UL 94V-0, BLACK  
 COVER: STAINLESS STEEL  
 TERMINAL: COPPER ALLOY, SILVER PLATE  
 CONTACT: COPPER ALLOY, SILVER PLATE  
 SLIDE: THERMOPLASTIC, UL 94V-0, BLACK  
 SPRING: STAINLESS STEEL

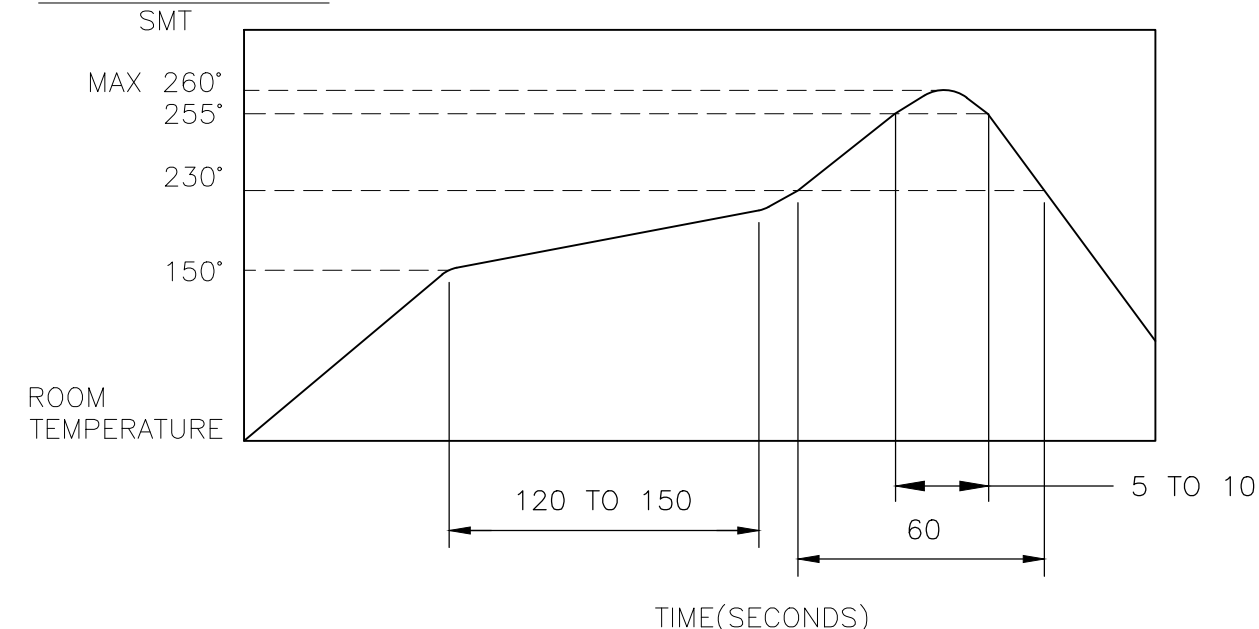
2. COMPLIANCE:

ALL MATERIALS AND FINISHES SHALL COMPLY WITH EU  
 DIRECTIVE 2002/95/EC OF 27JAN2003(RoHS)

3. SPECIFICATIONS:

RATING: 10mA 5V DC  
 CONTACT RESISTANCE: 500mΩ MAXIMUM(INITIAL)  
 INSULATION RESISTANCE: 100MΩ MINIMUM AT 100 V DC  
 DIELECTRIC STRENGTH: 100 V AC, 1 MINUTE  
 OPERATING LIFE: 100,000 CYCLES WITH LAOD  
 TOTAL TRAVEL: 1.5 [.059]  
 ACTUATION FORCE: 30gf MAXIMUM  
 OPERATING TEMPERATURE: 0°C TO 60° C  
 STORAGE TEMPERATURE: -40°C TO 70° C

4. SOLDER CONDITIONS:



THE CONDITION MENTIONED ABOVE IS THE TEMPERATURE ON THE CU FOIL OF THE PCB SURFACE. THERE ARE CASES WHERE THE BOARD'S TEMPERATURE GREATLY DIFFERS FROM THE SWITCH'S SURFACE. DO NOT ALLOW SWITCH'S SURFACE TEMPERATURE TO EXCEED 260°C


MANUAL SOLDERING

SOLDERING TEMPERATURE	350°C±5°C.
CONTINUOUS SOLDERING TIME	3 SECONDS MAX.

PRECAUTIONS IN HANDLING

1. CARE SHOULD BE EXERCISED SO THAT FLUX FROM THE UPPER PART OF THE PRINTED CIRCUIT BOARD DOES NOT ADHERE TO THE SWITCH.

JJIHOUG150NOPMRTR	2331383-1
SMART PART NUMBER	PART NUMBER

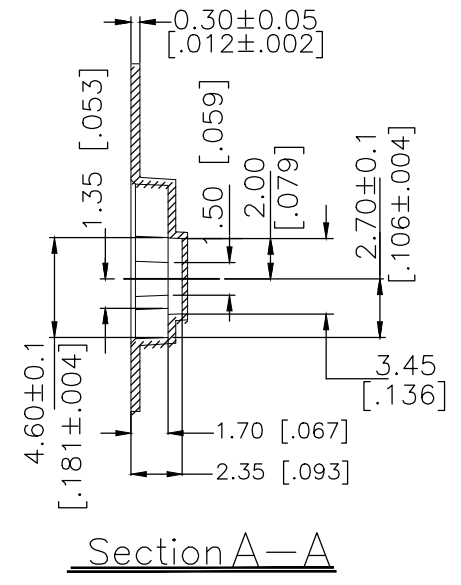
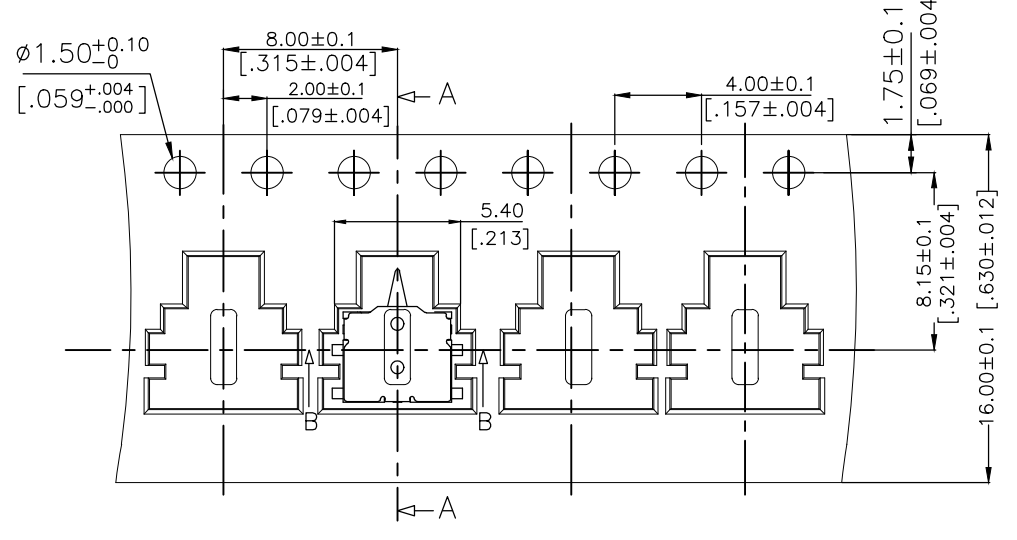
THIS DRAWING IS A CONTROLLED DOCUMENT.		DWN 07MAR2018 GANESH C M	 TE Connectivity Ltd.														
DIMENSIONS: mm [INCHES]		CHK 07MAR2018 ALEXANDER SHARPE															
TOLERANCES UNLESS OTHERWISE SPECIFIED:		APVD 07MAR2018 ALEXANDER SHARPE	NAME SWITCH, DETECTOR, JJI SERIES, 5.0X4.4mm, HORIZONTAL, SMT, WITH POSTS														
<table border="0"> <tr> <td>0 PLC</td><td>± -</td> </tr> <tr> <td>1 PLC</td><td>± -</td> </tr> <tr> <td>2 PLC</td><td>± 0.20 [.008]</td> </tr> <tr> <td>3 PLC</td><td>± -</td> </tr> <tr> <td>4 PLC</td><td>± -</td> </tr> <tr> <td>ANGLES</td><td>± -</td> </tr> </table>		0 PLC	± -	1 PLC	± -	2 PLC	± 0.20 [.008]	3 PLC	± -	4 PLC	± -	ANGLES	± -	PRODUCT SPEC	-		
0 PLC	± -																
1 PLC	± -																
2 PLC	± 0.20 [.008]																
3 PLC	± -																
4 PLC	± -																
ANGLES	± -																
MATERIAL		APPLICATION SPEC	-														
FINISH		WEIGHT	SIZE	CAGE CODE	DRAWING NO												
-		-	A3	00779	C-2331383												
CUSTOMER DRAWING			RESTRICTED TO	SCALE	SHEET												
-			-	NTS	2 OF 3												
			REV	A													

THIS DRAWING IS UNPUBLISHED. RELEASED FOR PUBLICATION  
 © COPYRIGHT - TE Connectivity Ltd. ALL RIGHTS RESERVED.

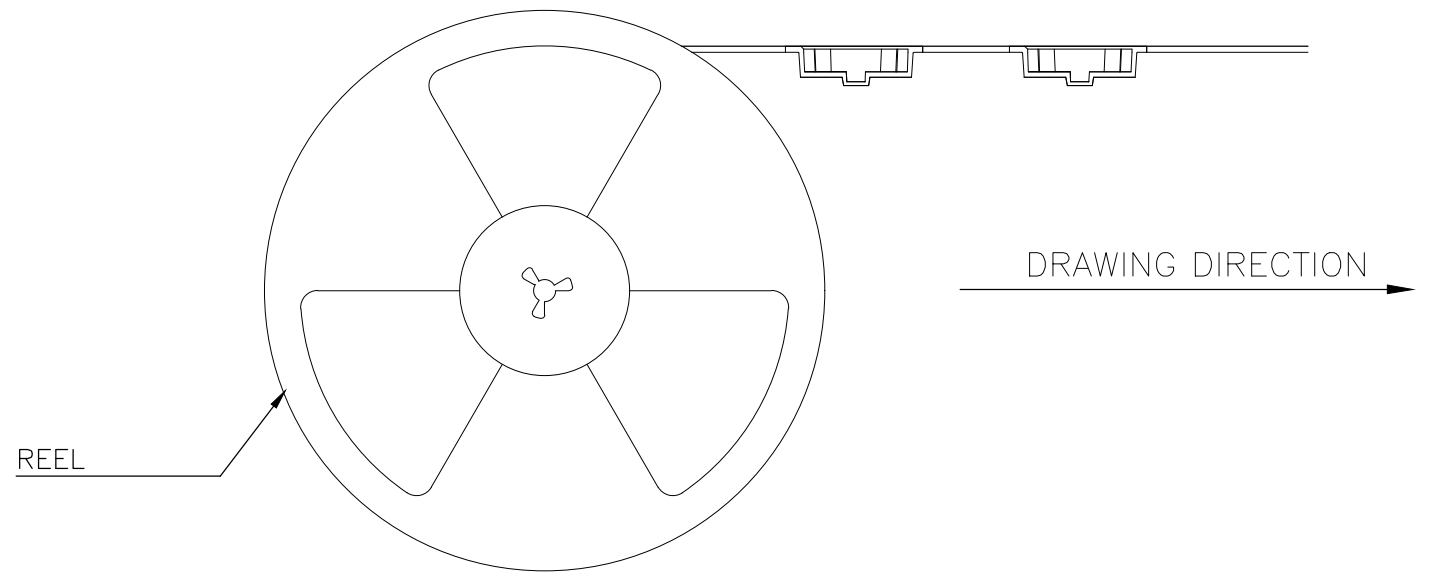
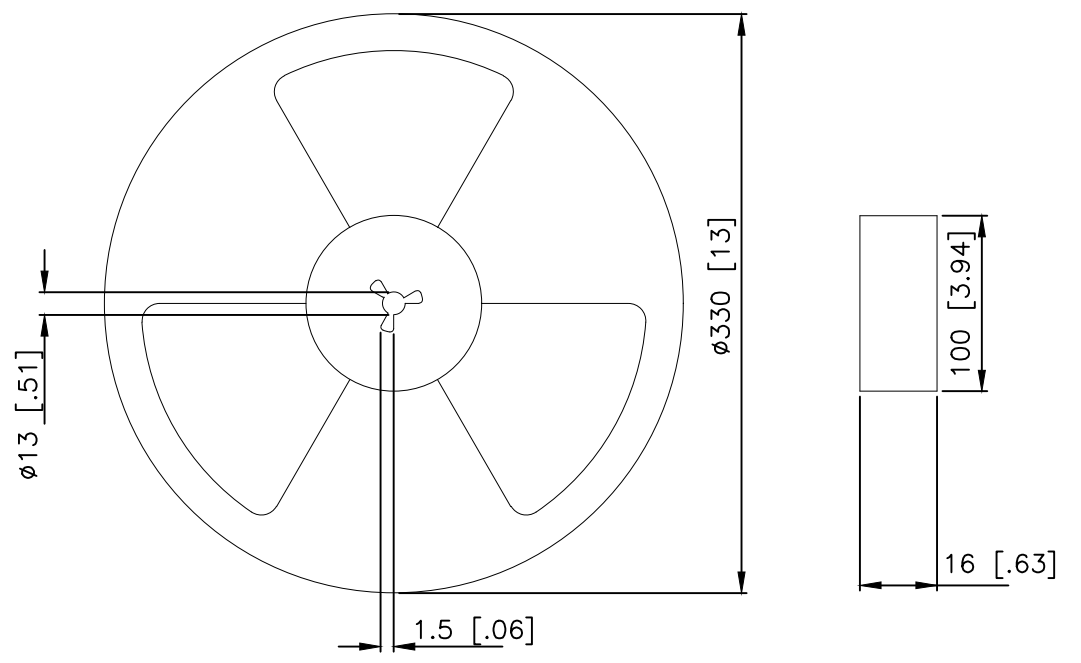
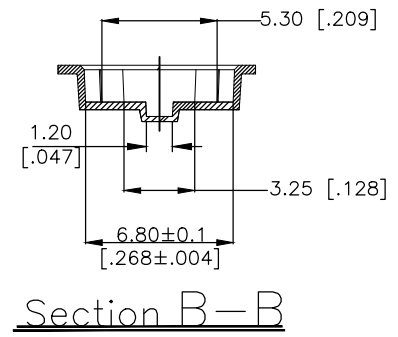
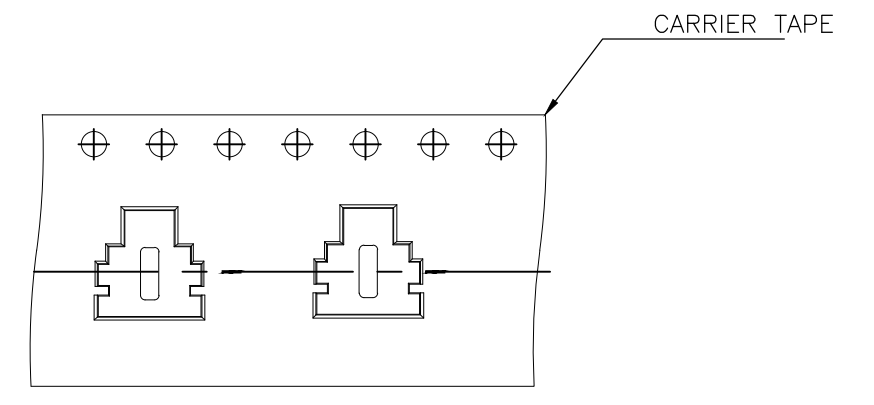
REVISIONS					
P	LTR	DESCRIPTION	DATE	DWN	APVD
-	-	SEE SHEET 1	-	-	-

PACKAGING:  
 3800 SWITCHES PER REEL

THE DIMENSION OF CARRIER TAPE, COVER TAPE AND REEL



THE DIRECTION OF PILOT HOLES



THIS DRAWING IS A CONTROLLED DOCUMENT.		DWN	GANESH C M		07MAR2018	TE Connectivity Ltd.					
DIMENSIONS: mm [INCHES]		CHK	ALEXANDER SHARPE		07MAR2018						
TOLERANCES UNLESS OTHERWISE SPECIFIED:		APVD	ALEXANDER SHARPE		07MAR2018	NAME					
0 PLC ± - 1 PLC ± - 2 PLC ± 0.20 [.008] 3 PLC ± - 4 PLC ± - ANGLES ± -		PRODUCT SPEC		-		SWITCH, DETECTOR, JJI SERIES, 5.0X4.4mm, HORIZONTAL, SMT, WITH POSTS					
MATERIAL		FINISH		-		SIZE	CAGE CODE	DRAWING NO	RESTRICTED TO		
-		-		-		A3	00779	C-2331383	-		
CUSTOMER DRAWING						SCALE	NTS	SHEET	3 OF 3	REV	A