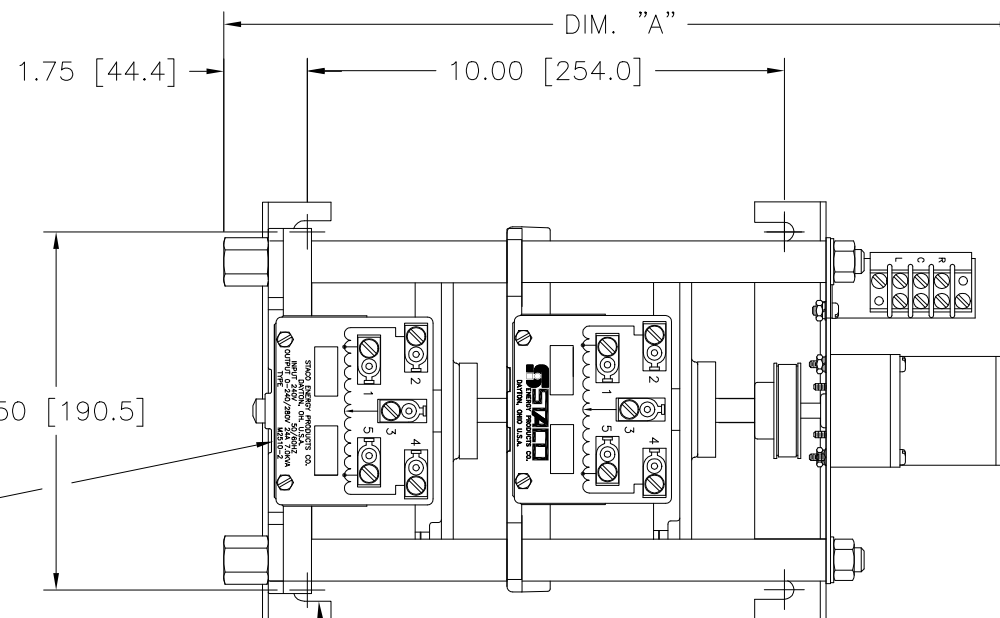
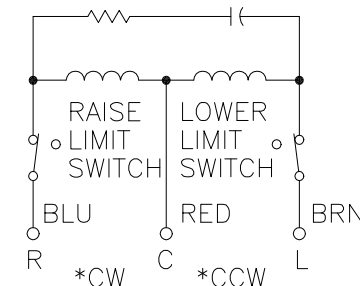


STANDOFFS TAPPED  
 1/2-13 X .50 [12.7]  
 DEEP FOR MTG. BOLTS  
 (4) PLACES



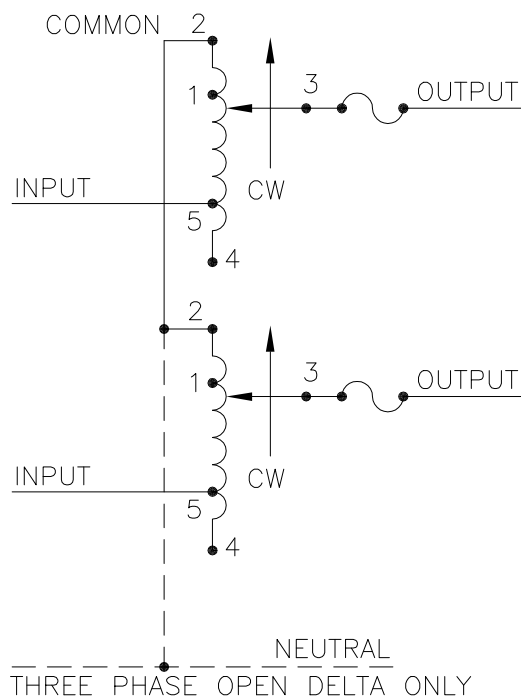
.41 [10.3] WIDE  
 MOUNTING SLOTS  
 (4) PLACES



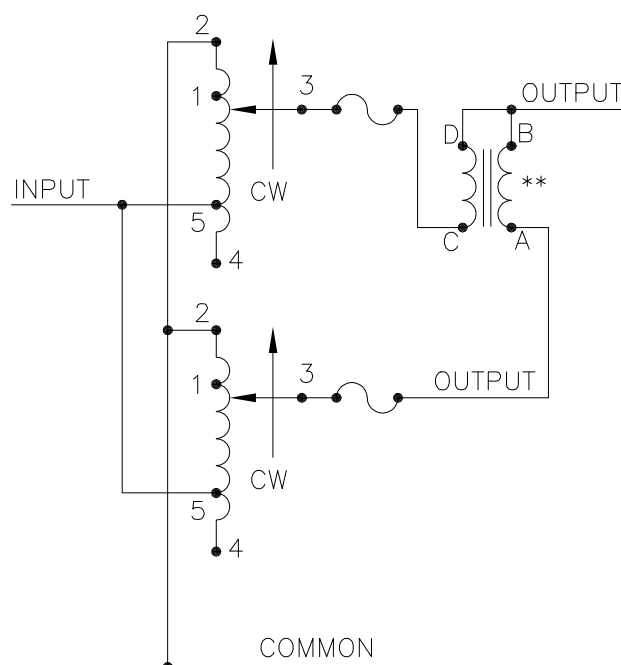
**MOTOR CIRCUIT**

120V, 50/60 HZ  
 \* ROTATION AS VIEWED FROM MOTOR END  
 MOTOR SPEED: SEE CHART

SPEED (SECONDS)	MODEL NUMBER	DIM. "A"
5	5M2510-2	16.11 [409.1]
15	15M2510-2	16.11 [409.1]
30	30M2510-2	16.62 [422.1]
60	60M2510-2	16.62 [422.1]



**SCHMATIC**  
 THREE PHASE OPEN DELTA AND SINGLE PHASE SERIES. FUSE RECOMMENDED BUT NOT SUPPLIED



**SCHMATIC**  
 SINGLE PHASE PARALLEL FUSE RECOMMENDED BUT NOT SUPPLIED

⌘ IF GANGED UNITS ARE USED IN A SYSTEM THAT ORDINARILY HAS A COMMON NEUTRAL OR GROUND BETWEEN SOURCE AND LOAD, THE NEUTRAL OR GROUND MUST BE CONNECTED TO THE COMMON TERMINALS OF THE VARIABLE TRANSFORMER ASSEMBLY. IF THE SYSTEM HAS ON NEUTRAL, THE LOAD MUST BE BALANCED OR THE TRANSFORMERS WILL BE DAMAGED.

■ JUMPER PROVIDED IN STANDARD COMMON POSITION AND SHOULD BE MOVED OR REMOVED AS REQUIRED.

+ + LINE TO LINE VOLTAGE.

+ MOTOR DRIVEN UNITS USE TERMINAL CONNECTIONS FOR C.C.W. INCREASING VOLTAGE AS VIEWED FROM BASE END.

\*\* REQUIRES ONE 51LAC PARALLELING CHOKE (NOT SUPPLIED).

WIRING	INPUT		OUTPUT				SHAFT ROTATION TO INCREASE VOLTAGE	TERMINAL CONNECTIONS				
	VOLTS	HERTZ	VOLTS	CONSTANT CURRENT LOAD		CONSTANT IMPEDANCE LOAD		FOR INCREASING VOLTAGE AS VIEWED FROM BASE END				
				MAX. AMPS	MAX. KVA			MAX. AMPS	MAX. KVA	INPUT	JUMPER	OUTPUT
** SINGLE PHASE PARALLEL	120	50/60	0-120	50	6.00	60	7.2	CW	2-2,4-4	—	4-B	
			0-140	50	7.00	—	—	CCW	2-2,4-4	—	2-B	
SINGLE PHASE SERIES	240	50/60	0-240	25	6.00	30	7.2	CW	2-2	4-4	3-3	
			0-280	25	7.00	—	—	CCW	4-4	2-2	3-3	
									CCW	5-5	2-2	3-3
THREE PHASE OPEN DELTA ⌘	120	50/60	0-120	25	5.20	30	6.2	CW	2-4-2	4-4	3-4-3	
				0-140	25	6.06	—	—	CCW	4-2-4	2-2	3-2-3
									CCW	1-4-1	4-4	3-4-3

UNLESS OTHERWISE SPECIFIED, TOLERANCE IS # DECIMALS HOLES ANGLES DRAFT UNITS IN [mm]  
 .XX .0006 .01 1° 1-1/2° ALL DIMENSIONS APPLY AFTER PLATING

MATERIAL: \_\_\_\_\_

DATE: 5/25/99

SCALE: .5=1

WEIGHT APPROX. 60 LBS.

CODE IDENT. NO. 83008

DWG. NO. 031-5133

SHEET 1 OF 1

STACO ENERGY PRODUCTS CO. A COMPONENTS CORPORATION OF AMERICA COMPANY DAYTON, OHIO U.S.A.