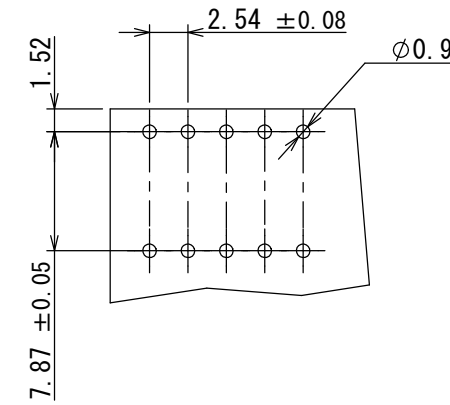
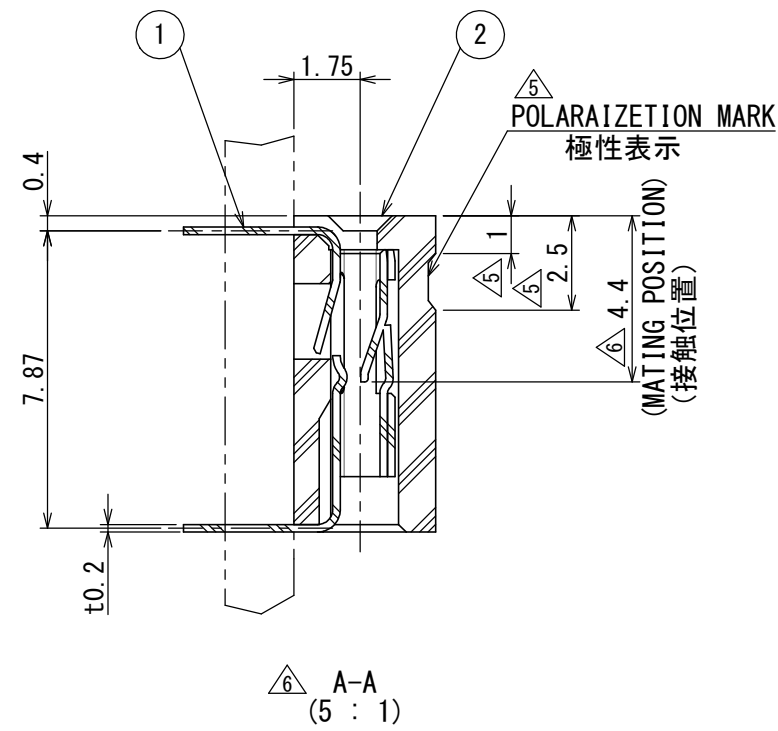
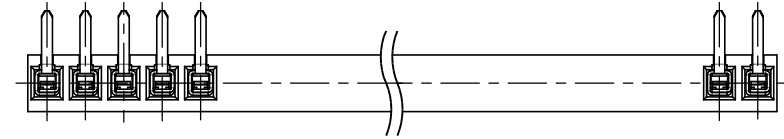


MARKINGS (NOTE1) (BACK SIDE)
品名表示 (裏面)



P.C.B. HOLE PATTERNS (REF.)
基板取付穴寸法 (参考)

版数 VER.	年月日 DATE	図 NO.	変更内容 DESCRIPTION	製 DR.	担 CHK.	査 APPD.	承 APPD.
9	28/MAR/1997	39708	REDRAWN	J. ICHIMURA	Y. YAHIRO	K. HISATOMI	H. YASUI
10	25/JUL/2014	008360	REDRAWN, CHANGE NOTE, ETC.	-	K. NAKAZAWA	-	T. KUDOU

TABLE 1. PART NO. AND CONTACTS DIMENSIONS

PART NO.	NO. OF CONTACTS	A	B	PART NO.	NO. OF CONTACTS	A	B
PS-1SD-S4T1-*	1	-	2.54	PS-34SD-S4T1-*	34	83.82	86.36
PS-2SD-S4T1-*	2	2.54	5.08	PS-35SD-S4T1-*	35	86.36	88.90
PS-3SD-S4T1-*	3	5.08	7.62	PS-36SD-S4T1-*	36	88.90	91.44
PS-4SD-S4T1-*	4	7.62	10.16	PS-37SD-S4T1-*	37	91.44	93.98
PS-5SD-S4T1-*	5	10.16	12.70	PS-38SD-S4T1-*	38	93.98	96.52
PS-6SD-S4T1-*	6	12.70	15.24	PS-39SD-S4T1-*	39	96.52	99.06
PS-7SD-S4T1-*	7	15.24	17.78	PS-40SD-S4T1-*	40	99.06	101.60
PS-8SD-S4T1-*	8	17.78	20.32	PS-41SD-S4T1-*	41	101.60	104.14
PS-9SD-S4T1-*	9	20.32	22.86	PS-42SD-S4T1-*	42	104.14	106.68
PS-10SD-S4T1-*	10	22.86	25.40	PS-43SD-S4T1-*	43	106.68	109.22
PS-11SD-S4T1-*	11	25.40	27.94	PS-44SD-S4T1-*	44	109.22	111.76
PS-12SD-S4T1-*	12	27.94	30.48	PS-45SD-S4T1-*	45	111.76	114.30
PS-13SD-S4T1-*	13	30.48	33.02	PS-46SD-S4T1-*	46	114.30	116.84
PS-14SD-S4T1-*	14	33.02	35.56	PS-47SD-S4T1-*	47	116.84	119.38
PS-15SD-S4T1-*	15	35.56	38.10	PS-48SD-S4T1-*	48	119.38	121.92
PS-16SD-S4T1-*	16	38.10	40.64	PS-49SD-S4T1-*	49	121.92	124.46
PS-17SD-S4T1-*	17	40.64	43.18	PS-50SD-S4T1-*	50	124.46	127.00
PS-18SD-S4T1-*	18	43.18	45.72	PS-51SD-S4T1-*	51	127.00	129.54
PS-19SD-S4T1-*	19	45.72	48.26	PS-52SD-S4T1-*	52	129.54	132.08
PS-20SD-S4T1-*	20	48.26	50.80	PS-53SD-S4T1-*	53	132.08	134.62
PS-21SD-S4T1-*	21	50.80	53.34	PS-54SD-S4T1-*	54	134.62	137.16
PS-22SD-S4T1-*	22	53.34	55.88	PS-55SD-S4T1-*	55	137.16	139.70
PS-23SD-S4T1-*	23	55.88	58.42	PS-56SD-S4T1-*	56	139.70	142.24
PS-24SD-S4T1-*	24	58.42	60.96	PS-57SD-S4T1-*	57	142.24	144.78
PS-25SD-S4T1-*	25	60.96	63.50	PS-58SD-S4T1-*	58	144.78	147.32
PS-26SD-S4T1-*	26	63.50	66.04	PS-59SD-S4T1-*	59	147.32	149.86
PS-27SD-S4T1-*	27	66.04	68.58	PS-60SD-S4T1-*	60	149.86	152.40
PS-28SD-S4T1-*	28	68.58	71.12	PS-61SD-S4T1-*	61	152.40	154.94
PS-29SD-S4T1-*	29	71.12	73.66	PS-62SD-S4T1-*	62	154.94	157.48
PS-30SD-S4T1-*	30	73.66	76.20	PS-63SD-S4T1-*	63	157.48	160.02
PS-31SD-S4T1-*	31	76.20	78.74	PS-64SD-S4T1-*	64	160.02	162.56
PS-32SD-S4T1-*	32	78.74	81.28	PS-65SD-S4T1-*	65	162.56	165.10
PS-33SD-S4T1-*	33	81.28	83.82				

TABLE 2. CONTACT FINISH

FINISH CONTACT AREA	1 GOLD (0.1 μm MIN.) OVER NICKEL	2 GOLD (0.3 μm MIN.) OVER NICKEL	3 GOLD (0.76 μm MIN.) OVER NICKEL
---------------------	----------------------------------	----------------------------------	-----------------------------------

TABLE 3

NO. OF CONTACTS 芯数	MARKING 表示
1~2	NONE (表示なし)
3~5	JAE
6~19	JAE**
20~65	JAE PS-** k※※※※

(** : NO. OF CONTACTS)

NOTE1. COMPANY LOGO "JAE", PART NUMBER AND PRODUCTION LOT NUMBER AS INDICATED. (SEE TABLE 3)

注1. 品名表示
図示の位置に社標、品名及び生産ロット番号を表示する。(表3参照)

PRODUCTION LOT NUMBER
生産ロット番号

k※※※※
LOT NUMBER OF CURRENT MONTH
月の生産ロット番号
MONTH (1~9, OCT:0, NOV:X, DEC:Y)
月表示 (1~9, 10月:0, 11月:X, 12月:Y)
YEAR (LAST DIGIT ONLY)
年表示 (西暦末尾)
MANUFACTURING DEPARTMENT CODE
製造部門コード

DESIGNATION
命名法

PS-**-**SD-S4T1-*

CONTACT FINISH (SEE TABLE 2)
仕上げ (表2参照)

TERMINAL LENGTH
結線部長さ

TERMINATION (T: THROUGH HOLE TYPE)
ターミネーション (T: スルーホール)

CONTACT ROW AND PITCH (S: SINGLE ROW, 4: 2.54 PITCH)
1列 2.54ピッチ

CONTACT DESIGN
接触部構造

SOCKET SIDE
ソケット側

NO. OF CONTACTS (SEE TABLE 1)
芯数 (表1参照)

SERIES
シリーズ名

2	INSULATOR	1	PBT	NONE	UL-94V-0 (COLOR: BALCK)
1	CONTACT	SEE TABLE 1	COPPER ALLOY	SEE TABLE 2	-
符号 NO.	名称 DESCRIPTION	個数 QTY.	材料 MATERIAL	仕上 FINISH	備考 REMARKS
仕様書 (SPECIFICATION) JACS-1133	第1版 (ORIGINAL DATE) 21/JAN/1974	製図 DR. SUGASAWA	シリーズ (SERIES) JAE-CONNECTOR.COM	名称 (TITLE) PS-**-**SD-S4T1-*	日本航空電子工業株式会社 JAPAN AVIATION ELECTRONICS INDUSTRY, LTD.
一般公差 (GENERAL TOLERANCE)	角度 (ANGLES)	担当 CHK. ICHIMURA	査閲 APPD. M. SUZUKI	図面番号 (DRAWING NO.) SJ013940	版数 (VER.) 10
寸法 (DIMENSION)	単位 (UNIT): mm	承認 APPD. KITAMURA	質量 (MASS)		