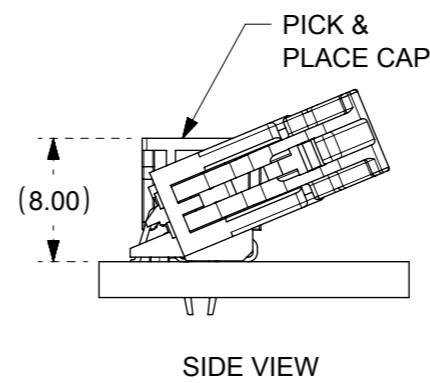
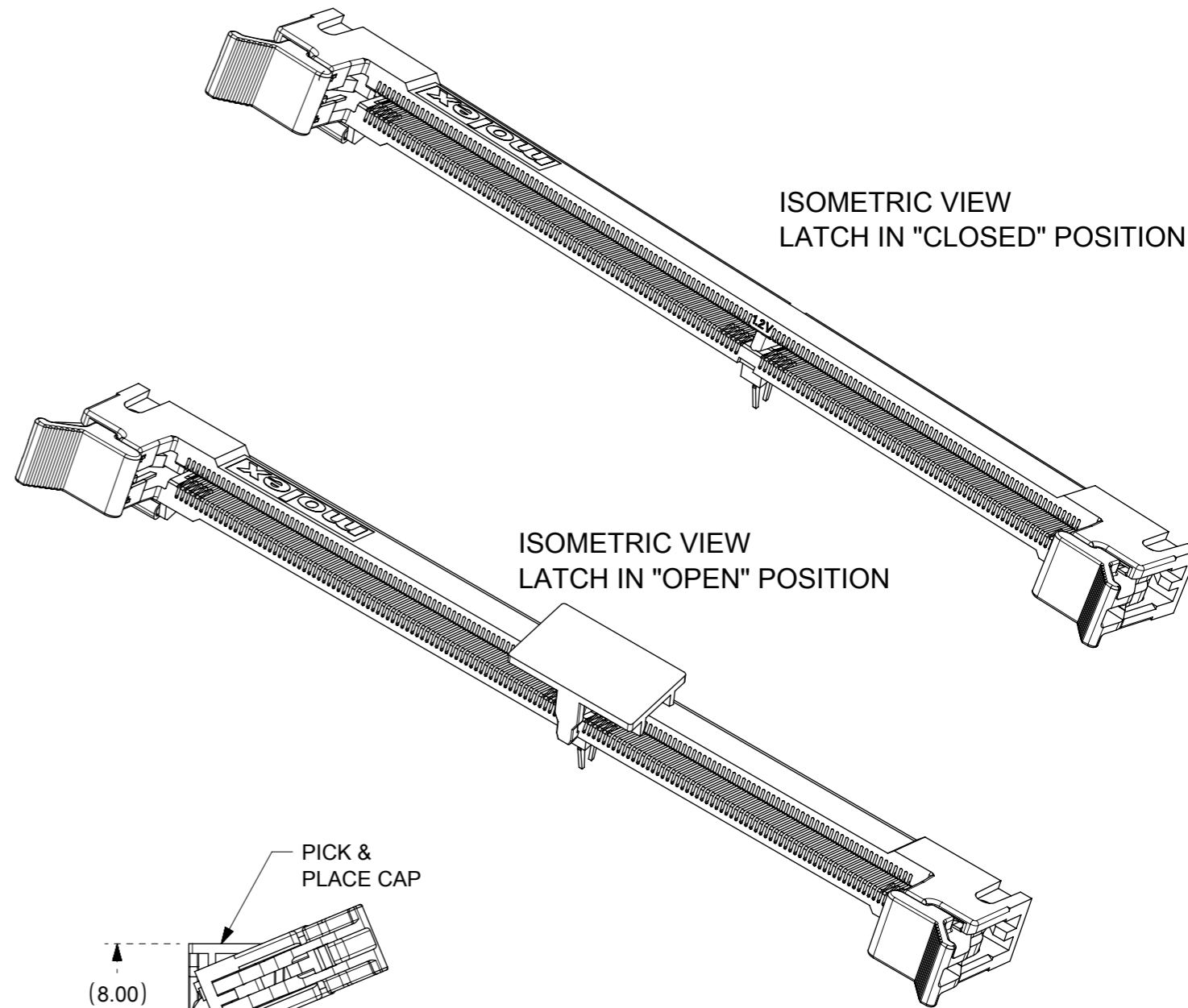
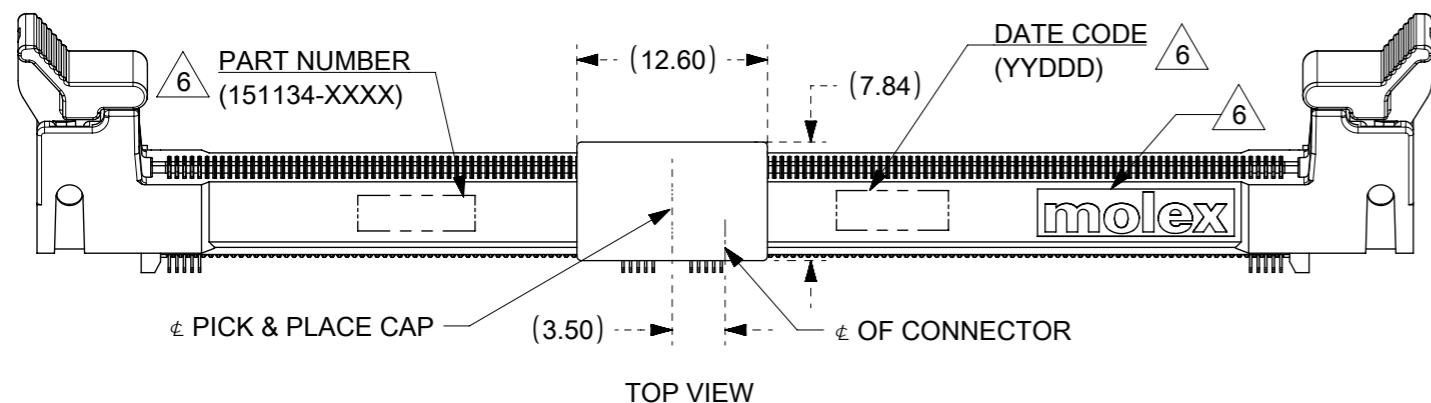


NOTES:

1. MATERIALS
HOUSING - LIQUID CRYSTAL POLYMER (LCP), GLASS FILLED, UL94 V-0;
COLOR: BLACK
LATCH - POLYAMIDE (PA), GLASS FILLED, UL94 V-0;
COLOR: NATURAL (OFF-WHITE)
TERMINAL - COPPER ALLOY
PCB HOLD-DOWN FEATURES - COPPER ALLOY
2. FINISHES
CONTACT AREA - 0.76 MICROMETER (30 MICROINCH) MINIMUM GOLD OVER
1.25 MICROMETER (50 MICROINCH) MINIMUM NICKEL
SMT TAIL - 2.54 MICROMETER (100 MICROINCH) MINIMUM TIN OVER
1.25 MICROMETER (50 MICROINCH) MINIMUM NICKEL
PCB HOLD-DOWN FEATURES - 2.54 MICROMETER (100 MICROINCH) MINIMUM TIN OVER
1.25 MICROMETER (50 MICROINCH) MINIMUM NICKEL
3. PRODUCT SPECIFICATION: SEE TABLE
4. PACKAGING SPECIFICATION: SEE TABLE
5. CARD SLOT ACCEPTS 1.40±0.10mm MODULE THICKNESS
(MEASURED OVER P.C. PADS).
6. MOLEX LOGO, DATE & PART NO. INDICATED ON SIDE OF HOUSING
7. MODULE SEATING PLANE FROM TOP OF PCB.
8. KEEP-OUT ZONE FOR LATCH
9. KEEP-OUT AREA IS THE AREA WHERE THE CONNECTOR IS MOUNTED
ONTO THE PCB (INCLUDING LATCH IN THE OPEN POSITION).
10. CONNECTOR APPLICATION GUIDELINE: AS-151134-0001.
11. PCB ROUTING RECOMMENDATION: AS-151134-0002.

CONNECTOR WITH PICK & PLACE CAP

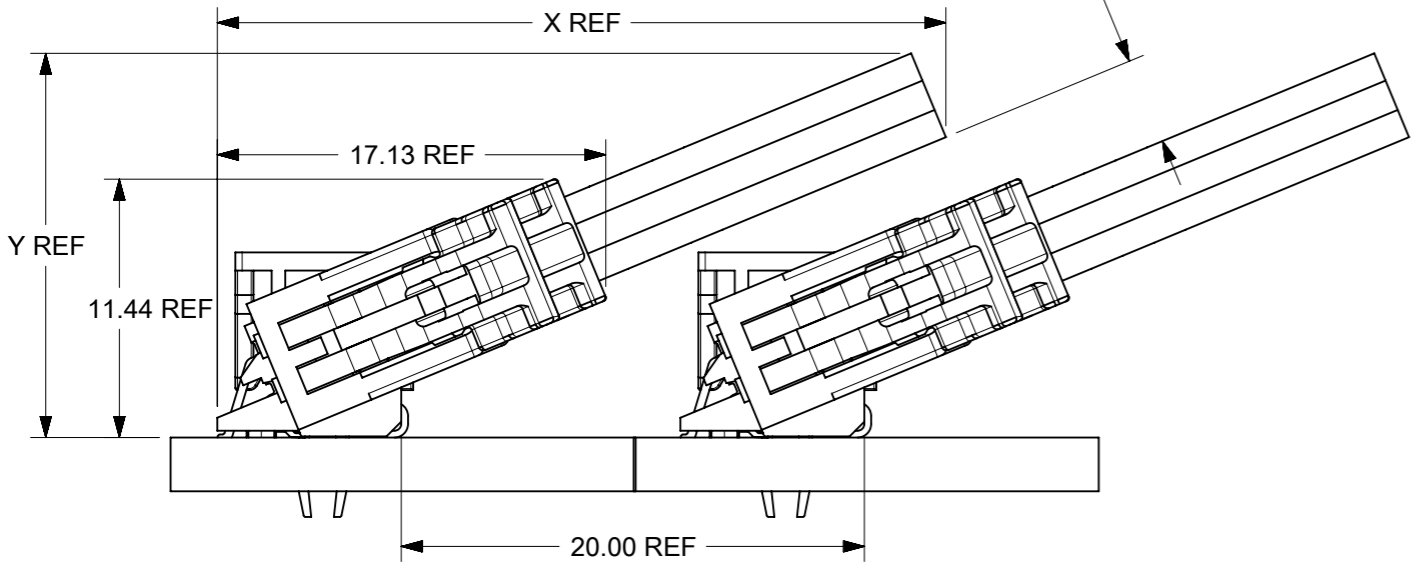
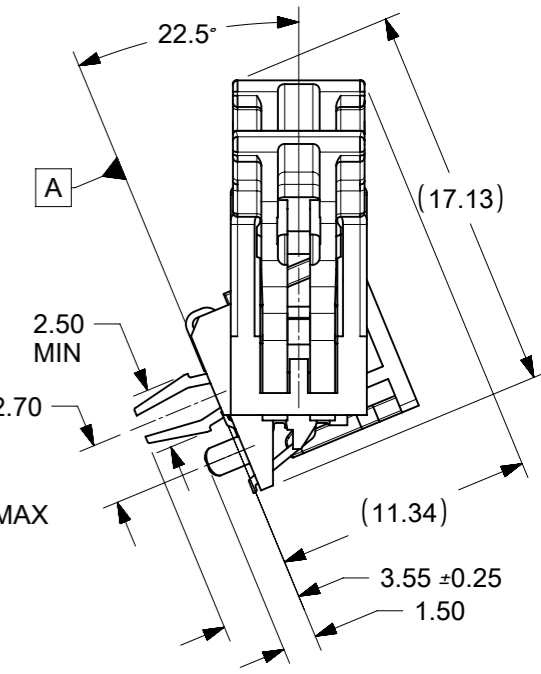
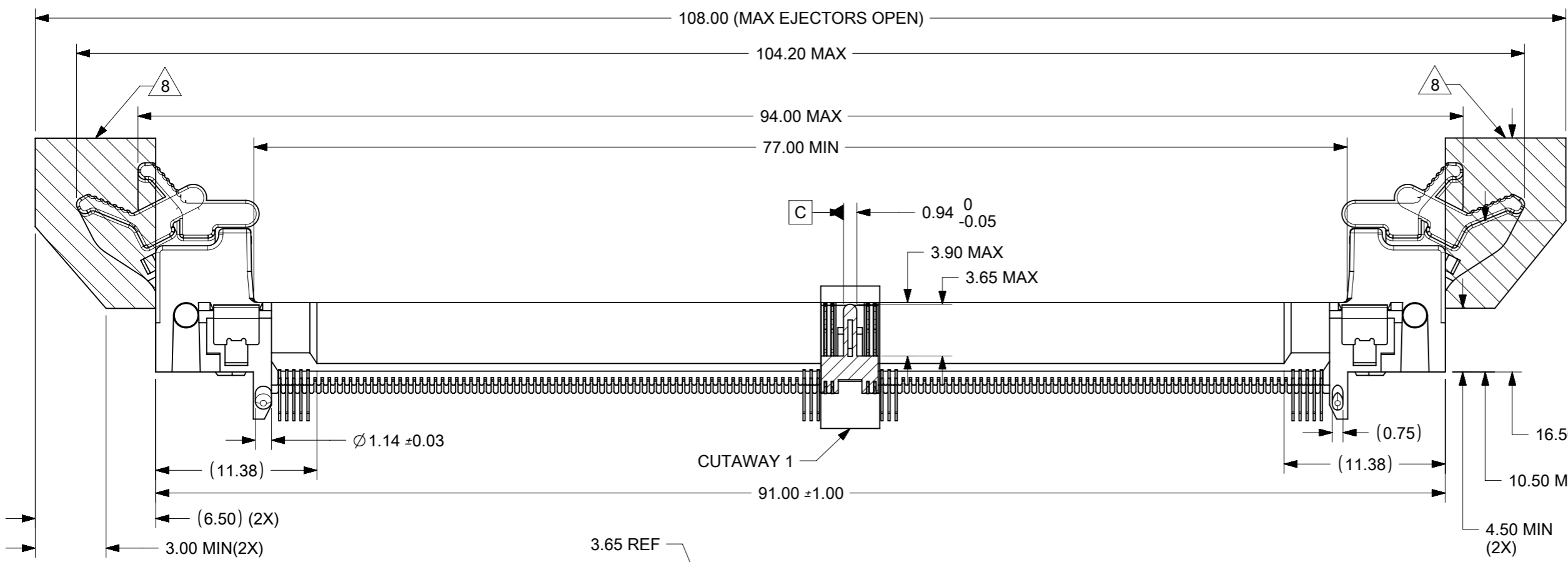
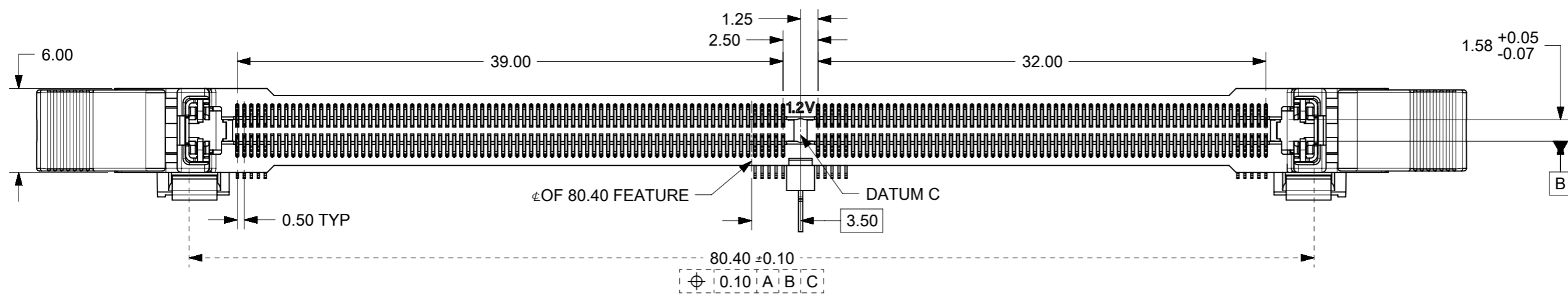


THIS DESIGN IS BASED ON DESIGN OBJECTIVES AND IS STRICTLY TENTATIVE. IT MAY CHANGE BASED ON RESULTS OF ADDITIONAL DESIGN REVIEWS AND VERIFICATIONS.

ASSEMBLY PART NUMBER	PICK & PLACE CAP	PRODUCT SPECIFICATION	PACKAGING SPECIFICATION
151134-0001	NO	PS-151134-0001	PK-151134-0001
151134-0003	YES		

QUALITY SYMBOLS FA = 0 FE = 0 FB = 0 FV = 0 FC = 0 FX = 0 FS = 0 FT = 0	THIS DRAWING CONTAINS INFORMATION THAT IS PROPRIETARY TO MOLEX ELECTRONIC TECHNOLOGIES, LLC AND SHOULD NOT BE USED WITHOUT WRITTEN PERMISSION				DIMENSION UNITS: MM SCALE: NTS				
	GENERAL TOLERANCES (UNLESS SPECIFIED) ANGULAR TOL ± 3.0 °		DRWN BY: EKSOH DATE: 2015/09/28		DDR4 MINI DIMM, 0.50MM REV.ANGLE 22.5 DEG. 288 CKTS SMT				
	4 PLACES ± 3 PLACES ± 2 PLACES ± 0.2		CHK'D BY: EKSOH DATE: 2015/09/28					PRODUCT CUSTOMER DRAWING	
	1 PLACE ± 0 PLACES ±		APPR BY: SHLENI DATE: 2016/07/19		SERIES: 151134 MATERIAL NUMBER: SEE TABLE CUSTOMER: GENERAL MARKET				
	DRAFT WHERE APPLICABLE MUST REMAIN WITHIN DIMENSIONS		DRAWING SIZE: A3 THIRD ANGLE PROJECTION					DOCUMENT NUMBER: SD-151134-0001 DOC TYPE: PSD DOC PART: 000 SHEET NUMBER: 1 OF 4	

RELEASE STATUS	RELEASE DATE
----------------	--------------

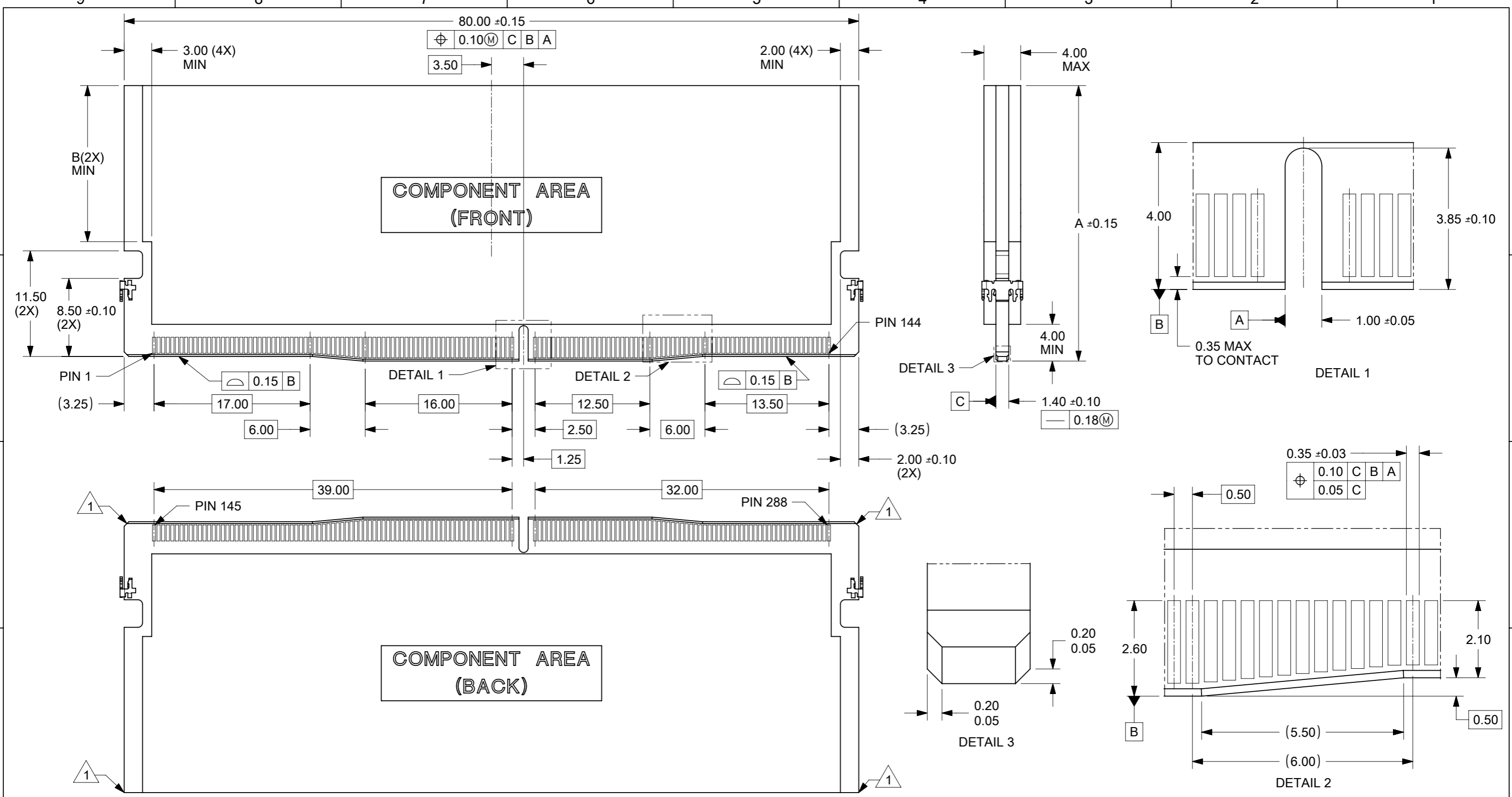


TYPE OF MODULE CARD	X	Y
STANDARD	32.12	16.98
VLP	21.72	12.68

RELEASE STATUS	RELEASE DATE

THIS DRAWING CONTAINS INFORMATION THAT IS PROPRIETARY TO MOLEX ELECTRONIC TECHNOLOGIES, LLC AND SHOULD NOT BE USED WITHOUT WRITTEN PERMISSION

QUALITY SYMBOLS FA = 0 FE = 0 FB = 0 FV = 0 FC = 0 FX = 0 FS = 0 FT = 0	EC NO: 115677 DRWN: EKSOH CHK'D: EKSOH APPR: SHLENI	2017/04/12 2017/04/20 2017/04/21	UPDATE P&P/GRIPPER EKSOH EKSOH SHLENI	GENERAL TOLERANCES (UNLESS SPECIFIED) ANGULAR TOL ± 3.0 ° 4 PLACES ± 3 PLACES ± 2 PLACES ± 0.2 1 PLACE ± 0 PLACES ± DRAFT WHERE APPLICABLE MUST REMAIN WITHIN DIMENSIONS	DIMENSION UNITS: MM SCALE: NTS DRWN BY: EKSOH DATE: 2015/09/28 CHK'D BY: EKSOH DATE: 2015/09/28 APPR BY: SHLENI DATE: 2016/07/19 DRAWING SIZE: A3 THIRD ANGLE PROJECTION	
	PRODUCT CUSTOMER DRAWING				SERIES: 151134 MATERIAL NUMBER: SEE TABLE CUSTOMER: GENERAL MARKET	
	DOCUMENT NUMBER: SD-151134-0001 DOC TYPE: PSD DOC PART: 000 SHEET NUMBER: 2 OF 4					

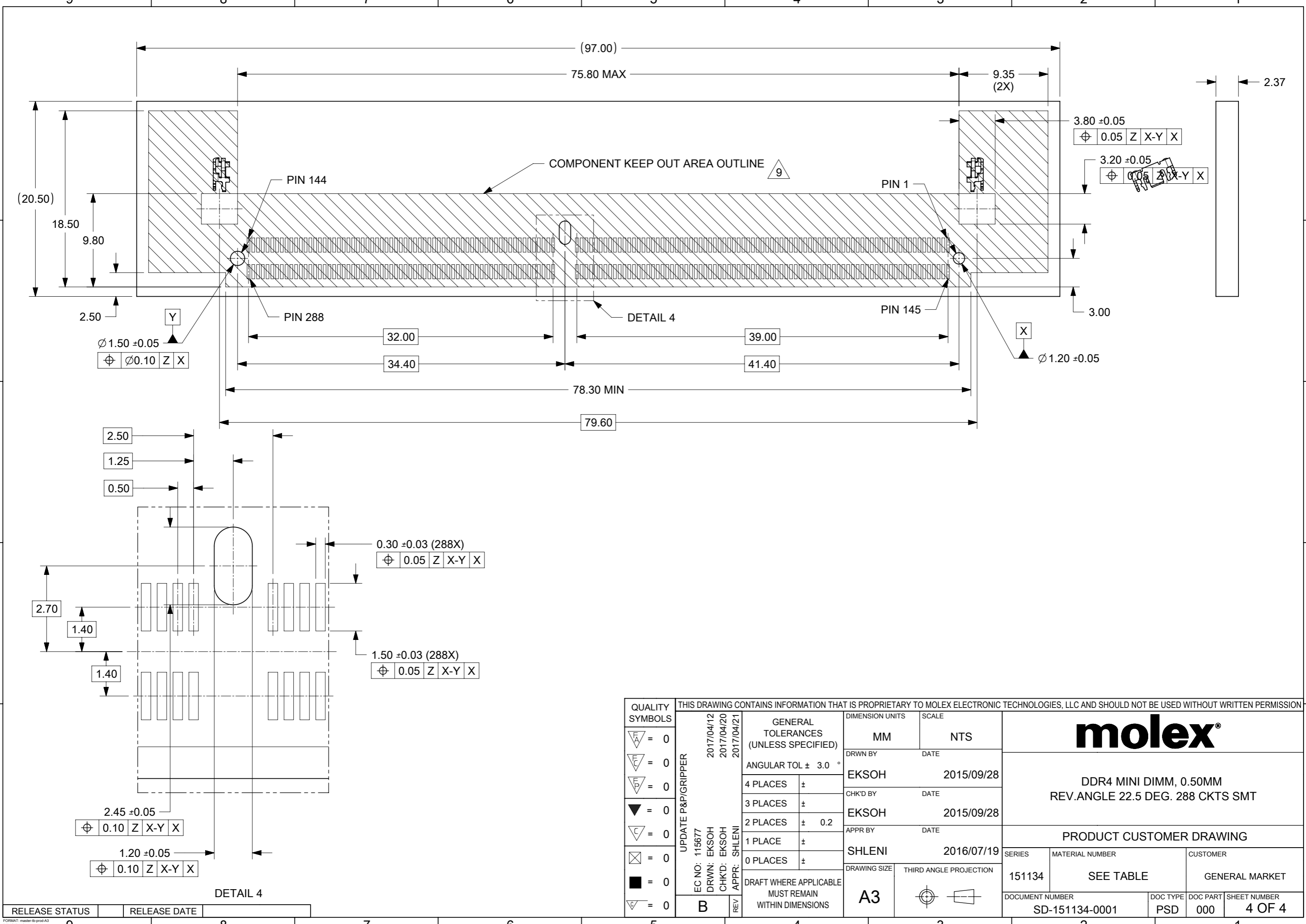


NOTE:
 1. CHAMFERS AND/OR RADII AS DEFINED BY JEDEC SOLID STATE PRODUCT OUTLINE

TYPE OF MODULE CARD	A	B
STANDARD	30	17
VLP	18.75	5.75
RELEASE STATUS	RELEASE DATE	

THIS DRAWING CONTAINS INFORMATION THAT IS PROPRIETARY TO MOLEX ELECTRONIC TECHNOLOGIES, LLC AND SHOULD NOT BE USED WITHOUT WRITTEN PERMISSION

QUALITY SYMBOLS $\nabla_A = 0$ $\nabla_E = 0$ $\nabla_F = 0$ $\blacktriangledown = 0$ $\nabla_C = 0$ $\boxtimes = 0$ $\blacksquare = 0$ $\nabla = 0$	EC NO: 115677 DRWN: EKSOH CHK'D: EKSOH APPR: SHLENI	2017/04/12 2017/04/20 2017/04/21	GENERAL TOLERANCES (UNLESS SPECIFIED) ANGULAR TOL ± 3.0 ° 4 PLACES ± 3 PLACES ± 2 PLACES ± 0.2 1 PLACE ± 0 PLACES ±	DIMENSION UNITS: MM SCALE: NTS DRWN BY: EKSOH DATE: 2015/09/28 CHK'D BY: EKSOH DATE: 2015/09/28 APPR BY: SHLENI DATE: 2016/07/19	<p>DDR4 MINI DIMM, 0.50MM REV.ANGLE 22.5 DEG. 288 CKTS SMT</p> <p>PRODUCT CUSTOMER DRAWING</p> <table border="1"> <tr> <td>SERIES: 151134</td> <td>MATERIAL NUMBER: SEE TABLE</td> <td>CUSTOMER: GENERAL MARKET</td> </tr> <tr> <td>DOCUMENT NUMBER: SD-151134-0001</td> <td>DOC TYPE: PSD</td> <td>DOC PART: 000</td> </tr> <tr> <td colspan="2">SHEET NUMBER: 3 OF 4</td> <td></td> </tr> </table>	SERIES: 151134	MATERIAL NUMBER: SEE TABLE	CUSTOMER: GENERAL MARKET	DOCUMENT NUMBER: SD-151134-0001	DOC TYPE: PSD	DOC PART: 000	SHEET NUMBER: 3 OF 4		
	SERIES: 151134	MATERIAL NUMBER: SEE TABLE	CUSTOMER: GENERAL MARKET											
	DOCUMENT NUMBER: SD-151134-0001	DOC TYPE: PSD	DOC PART: 000											
	SHEET NUMBER: 3 OF 4													
UPDATE P&P/GRIPPER EC NO: 115677 DRWN: EKSOH CHK'D: EKSOH APPR: SHLENI	2017/04/12 2017/04/20 2017/04/21	DRAFT WHERE APPLICABLE MUST REMAIN WITHIN DIMENSIONS	DRAWING SIZE: A3 THIRD ANGLE PROJECTION											



THIS DRAWING CONTAINS INFORMATION THAT IS PROPRIETARY TO MOLEX ELECTRONIC TECHNOLOGIES, LLC AND SHOULD NOT BE USED WITHOUT WRITTEN PERMISSION											
QUALITY SYMBOLS FA = 0 FE = 0 FP = 0 FV = 0 FC = 0 FX = 0 FZ = 0 F1 = 0 F2 = 0	UPDATE P&P/GRIPPER EC NO: 115677 DRWN: EKSOH CHK'D: EKSOH REV APPR: SHLENI	GENERAL TOLERANCES (UNLESS SPECIFIED) ANGULAR TOL $\pm 3.0^\circ$		DIMENSION UNITS MM	SCALE NTS						
		4 PLACES \pm	DRWN BY EKSOH	DATE 2015/09/28							
		3 PLACES \pm	CHK'D BY EKSOH	DATE 2015/09/28	PRODUCT CUSTOMER DRAWING						
		2 PLACES ± 0.2	APPR BY SHLENI	DATE 2016/07/19							
		1 PLACE \pm	EC NO: 115677 DRWN: EKSOH CHK'D: EKSOH REV APPR: SHLENI	DRAFT WHERE APPLICABLE MUST REMAIN WITHIN DIMENSIONS	DRAWING SIZE A3	THIRD ANGLE PROJECTION 	SERIES 151134	MATERIAL NUMBER SEE TABLE	CUSTOMER GENERAL MARKET	DOCUMENT NUMBER SD-151134-0001	DOC TYPE PSD

RELEASE STATUS	RELEASE DATE
----------------	--------------