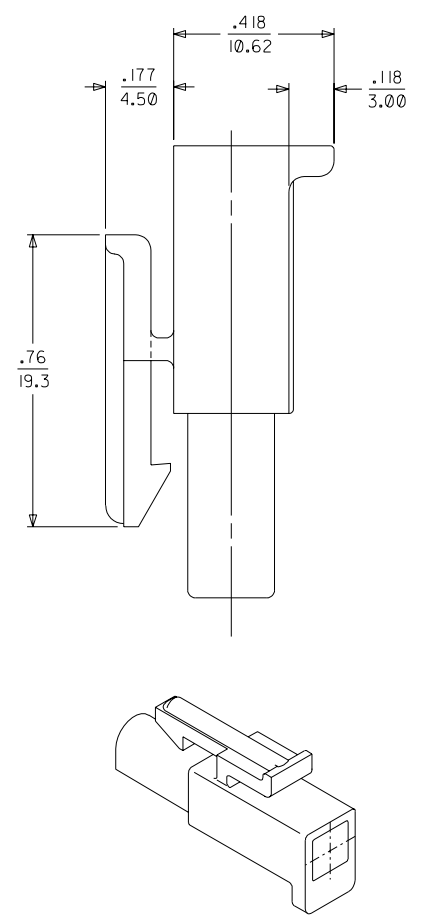
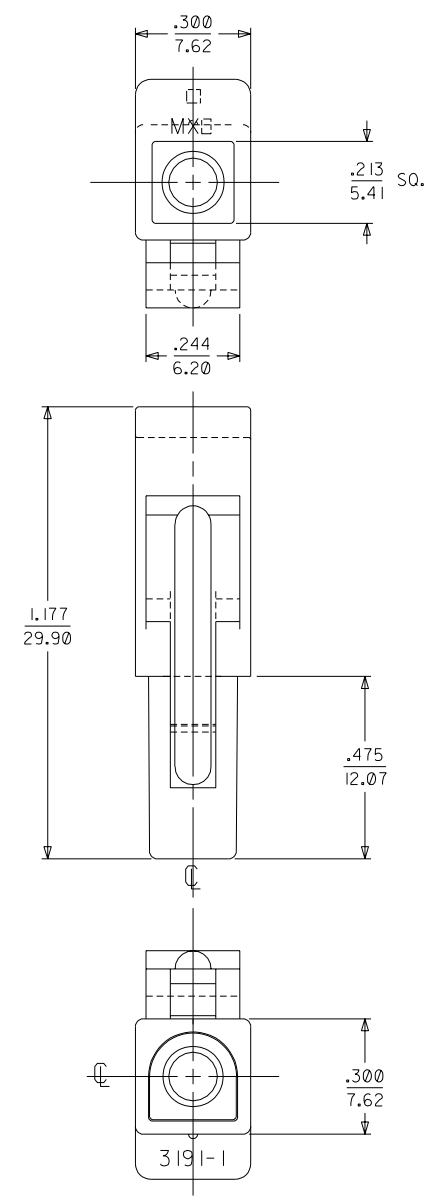


PLUG



RECEPTACLE

OBSOLETE 3191-1R1RD EC NO. LUCP2004-0423 DRWN: ELHAG 09/03/03 CHK: ELHAG 09/03/03 APPR: FSMITH 09/10/03	QUALITY SYMBOLS	GENERAL TOLERANCES: (UNLESS SPECIFIED)	SCALE 4 : 1	DESIGN UNITS <input type="checkbox"/> mm <input checked="" type="checkbox"/> INCH	THIRD ANGLE PROJECTION <input type="checkbox"/> mm <input checked="" type="checkbox"/> INCH <input type="checkbox"/> mm ONLY	DIMENSIONS: <input type="checkbox"/> mm <input checked="" type="checkbox"/> INCH <input type="checkbox"/> mm ONLY	REVISE ON CAD ONLY
	MAJOR $\nabla = 0$	4 PLACES $\pm 0.---$ $\pm .---$	DRAWN BY & DATE JBS 06/10/03	TITLE: .093/(2.36) HOUSING, PLUG AND RECEPTACLE, 1 - CIRCUIT			
	CRITICAL $\nabla C = 0$	3 PLACES $\pm 0.$ $\pm .010$	CHECKED BY & DATE BW 06/13/03	MATERIAL NO. DRAWING NO. SHEET NO. SEE CHART SD-3191-1* 1 of 2			
		2 PLACES ± 0.25 $\pm .014$	APPROVED BY & DATE BW 06/16/03	MOLEX INCORPORATED			
	1 PLACE ± 0.36 $\pm .$	ANGULAR: $\pm 1^\circ$	CAD FILENAME SD-3191-1.DGN	DRAWING NO. SD-3191-1*			SIZE C
REV E	DESCRIPTION	DRAFT WHERE APPLICABLE MUST REMAIN WITHIN DIMENSIONS					
THIS DRAWING CONTAINS INFORMATION THAT IS PROPRIETARY TO MOLEX INCORPORATED AND SHOULD NOT BE USED WITHOUT WRITTEN PERMISSION.							

PLUG		RECEPTACLE		OBSOLETE
PART NO.	ENG. NO.	PART NO.	ENG. NO.	
19-09-2018	3191-IP	19-09-1019	3191-IR1	
19-09-2019	3191-IP1	19-09-1016	3191-IR1-201	
19-09-2017	3191-IP-201	19-09-6010	3191-IRIRD	
19-09-2016	3191-IP1-201	19-09-6011	3191-IRIBU	
19-09-2015	3191-IPRD			

LEGEND

3191-|****-*

CIRCUIT SIZE

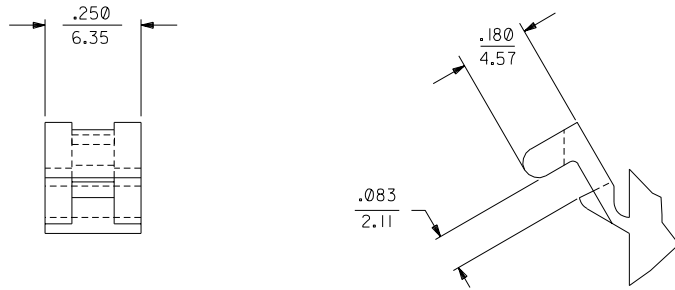
P = PLUG
R = RECEPTACLE

EARS: BLANK = WITH PREBENT EARS (PLUG ONLY)
I = WITHOUT EARS

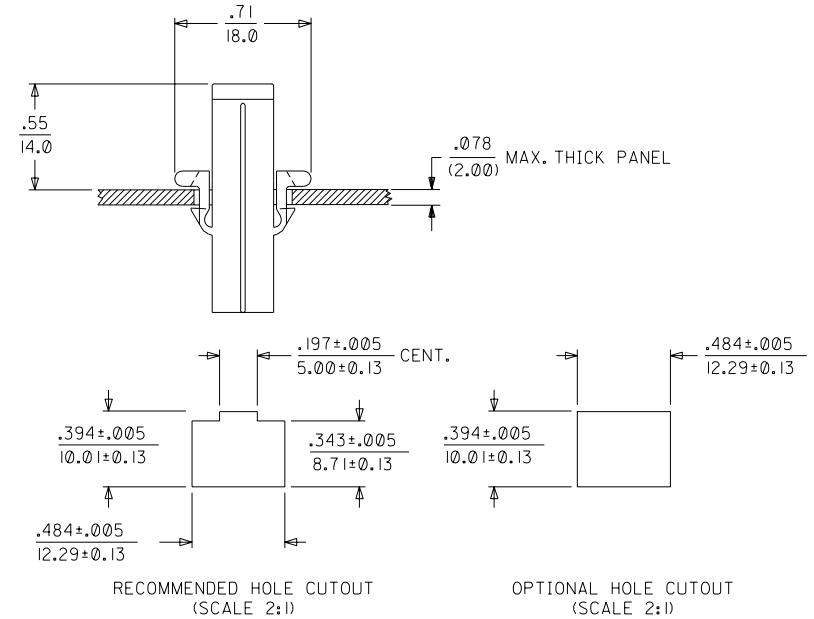
COLOR: BLANK = NATURAL COLOR

AM=AMBER BK=BLACK BU=BLUE
BN=BROWN GY=GRAY GN=GREEN
OR=ORANGE RD=RED YW=YELLOW

MATERIAL: PER NOTE 1.



DETAIL "A"
PREBENT MOUNTING EAR
(SCALE 4:1)



NOTES:

- MATERIAL:
"BLANK" - NYLON TYPE 6/6, 94V-2. COLOR: NATURAL.
201 - NYLON TYPE 6/6, 94V-0. COLOR: WHITE.
- FINISH: NONE.

DIMENSIONS SHOWN (METRIC INCH)	
UNLESS OTHERWISE SPECIFIED TOLERANCES: ANGULAR ± .04° 10	
5 PLACE ± .010	---
2 PLACE ± .014	± 0.25
1 PLACE ---	± 0.36
DRAFT WHERE APPLICABLE MUST REMAIN WITHIN DIMENSIONS	
DRWG. BY: JBS	CHK'D. BY: BW
APP'D. BY: BW	SCALE: ---:---

▽ = 0	▼ = 0	REVISE ONLY ON CAD SYSTEM
TITLE: .093/(2.36) HOUSINGS PLUG AND RECEPTACLE I CIRCUIT		
MOLEX INCORPORATED U.S.A.	SHEET NO. 2	DATE 06/10/03
PART NO. SD-3191-1*	DRWG. NO.	
SEE CHART		
THIS DRAWING CONTAINS INFORMATION THAT IS PROPRIETARY TO MOLEX INC. AND SHOULD NOT BE USED WITHOUT WRITTEN PERMISSION.		

LTR.	REVISIONS	LTR.	REVISIONS
		E	SEE SHEET 1
		D4	SEE SHEET 1