

4

3

2

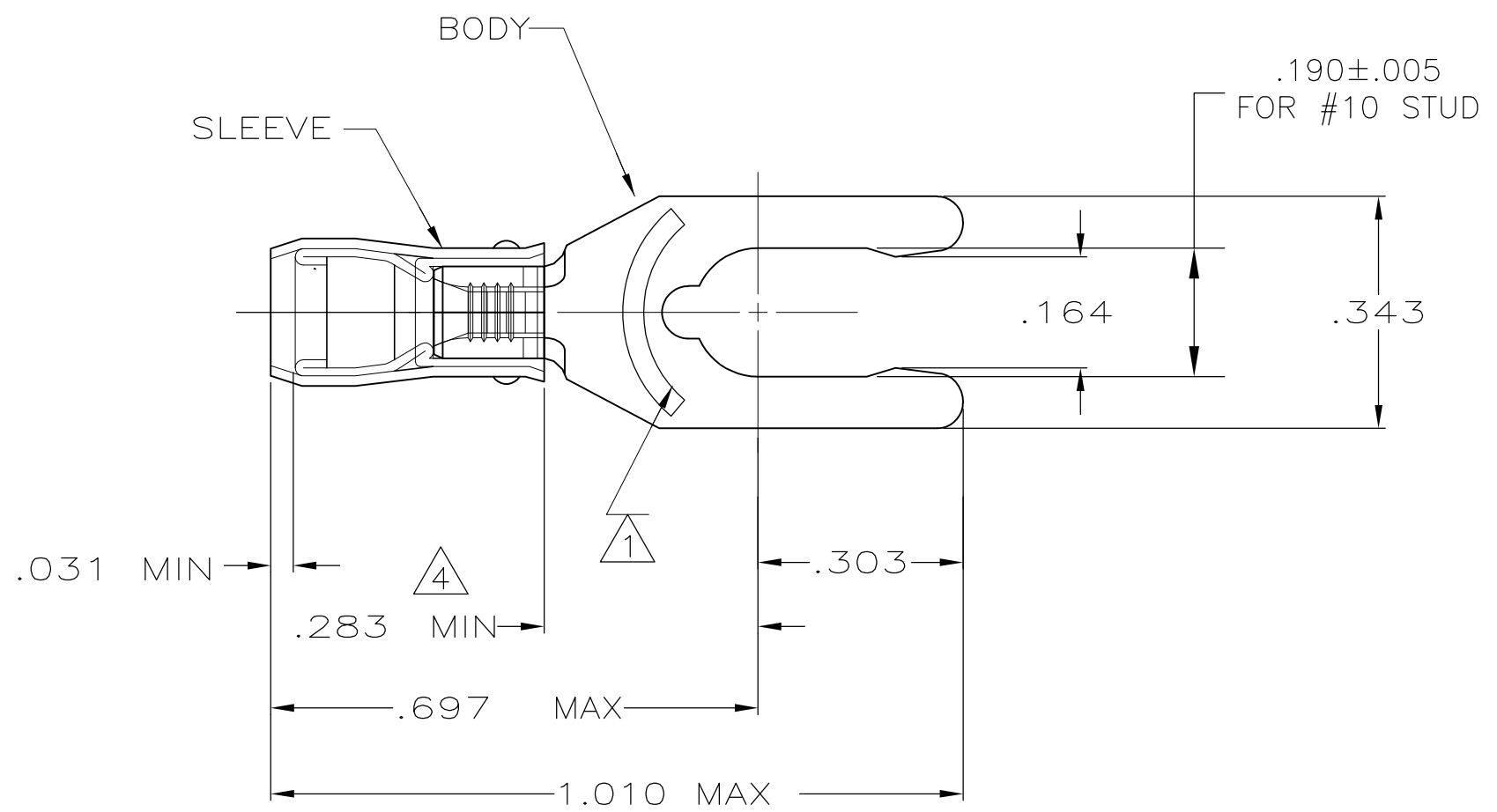
1

THIS DRAWING IS UNPUBLISHED. RELEASED FOR PUBLICATION  
 © COPYRIGHT BY TYCO ELECTRONICS CORPORATION. ALL RIGHTS RESERVED.

LOC	DIST	REVISIONS					
G	14	P	LTR	DESCRIPTION	DATE	DWN	APVD
			C1	REV PER ECR 10-009503	04MAY10	JR	TM

**AMP**  
WIRE RANGE

22-16 AWG  
SOLID OR STRANDED



- ① STAMP 10S AMP 22-18\* APPROX AS SHOWN  
22-16 TERMINALS ARE STAMPED 22-18 IN ACCORDANCE WITH MILITARY SPEC MIL-T-7928  
COMMERCIAL WIRE RANGE IS 22-16
- 2 WIRE INSULATION DIA: .080-.125
- 3 TONGUE MATERIAL THK: .031±.002
- ④ DIMENSION APPLIES FROM EDGE OF METAL WIRE BBL TO CENTER OF STUD HOLE.
- ⑤ MATERIAL:  
BODY: PHOSPHOR BRONZE PER ASTM B103  
SLEEVE: COPPER PER ASTM B152  
INSULATION: NYLON BLUE
- ⑥ FINISH: BODY & SLEEVE - TIN PLATE PER ASTM B-545

1000	LOOSE PIECE	696471-1
QTY	PACKAGE TYPE	PART NO.

<b>AMP INCORPORATED CUSTOMER SERVICE SYSTEMS</b>		MAX RECOMMENDED OPERATING TEMPERATURE: 105°C [221°F]	THIS DRAWING IS A CONTROLLED DOCUMENT.		DWN JR RUTH 29AUG02	<b>Tyco Electronics</b> Tyco Electronics Corporation Harrisburg, PA 17105-3608					
FOR ADDITIONAL PRODUCT INFORMATION OR COPIES OF DRAWINGS AND TECHNICAL DOCUMENTS	PRODUCT INFORMATION CENTER 1-800-522-6752	VOLTAGE RATING: 300 V MAX	DIMENSIONS: INCHES	TOLERANCES UNLESS OTHERWISE SPECIFIED:	CHK T MICHIELUTTI 29AUG02	NAME TERMINAL, PIDG, LONG, SPRING SPADE, WIRE SIZE 22-16					
FOR APPLICATION TOOLING INFORMATION	TOOLING ASSISTANCE CENTER 1-800-722-1111	CIRCULAR MIL AREA: 0.26-1.65mm² [509-3260] SOLID OR STRANDED		0 PLC ± - 1 PLC ± - 2 PLC ± 0.20[.008] 3 PLC ± - 4 PLC ± - ANGLES ± -	APVD T MICHIELUTTI 29AUG02	APPLICATION SPEC	RESTRICTED TO				
FOR ORDER ENTRY	1-800-526-5142	THIS DRAWING IS A CONTROLLED DOCUMENT FOR AMP INCORPORATED. IT IS SUBJECT TO CHANGE AND THE CONTROLLING ENGINEERING ORGANIZATION SHOULD BE CONTACTED FOR THE LATEST REVISION.	MATERIAL ⑤	FINISH ⑥	PRODUCT SPEC	SIZE A3	CAGE CODE 00779	DRAWING NO G-696471	SCALE NTS	SHEET 1 OF 1	REV C1