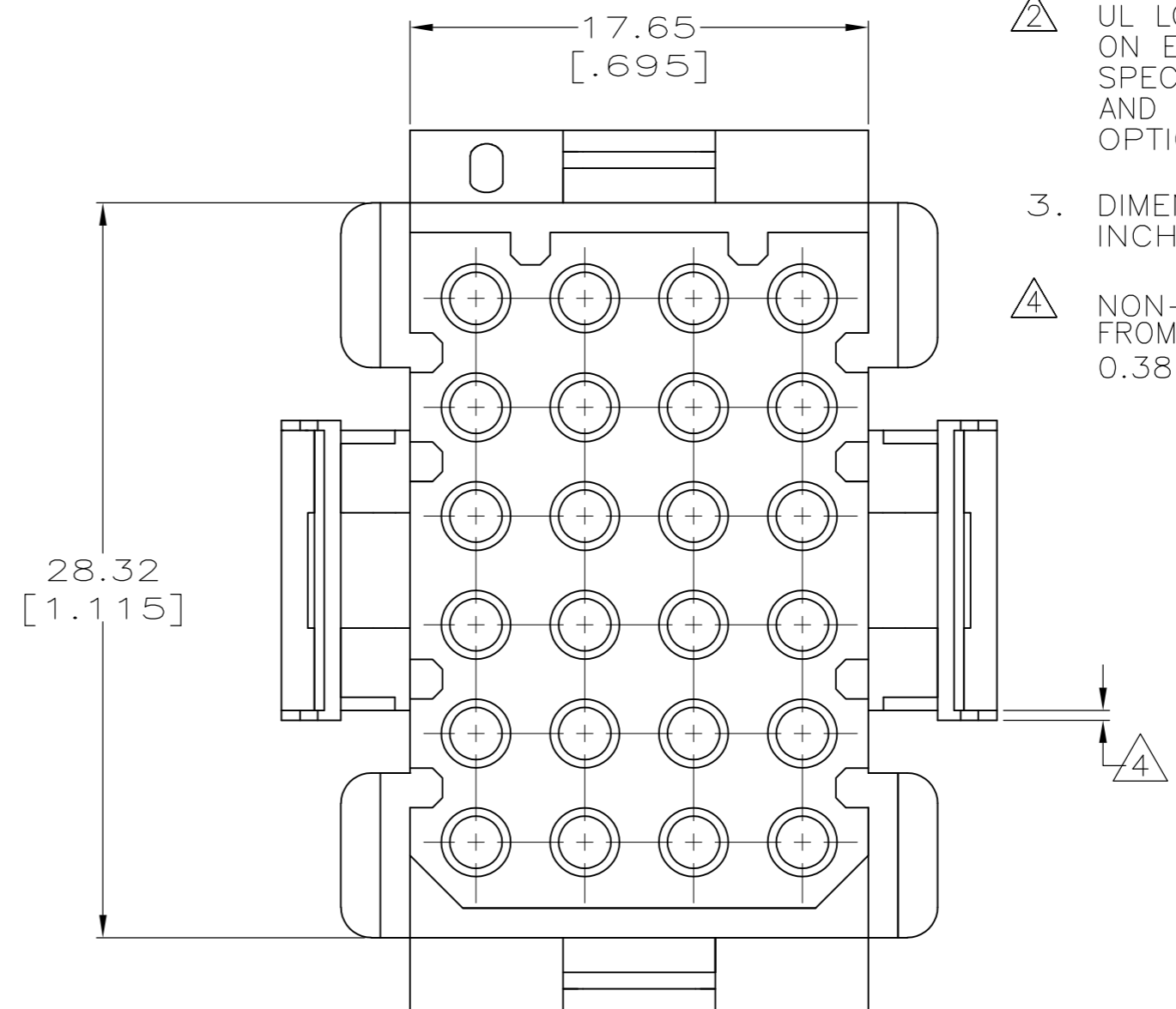
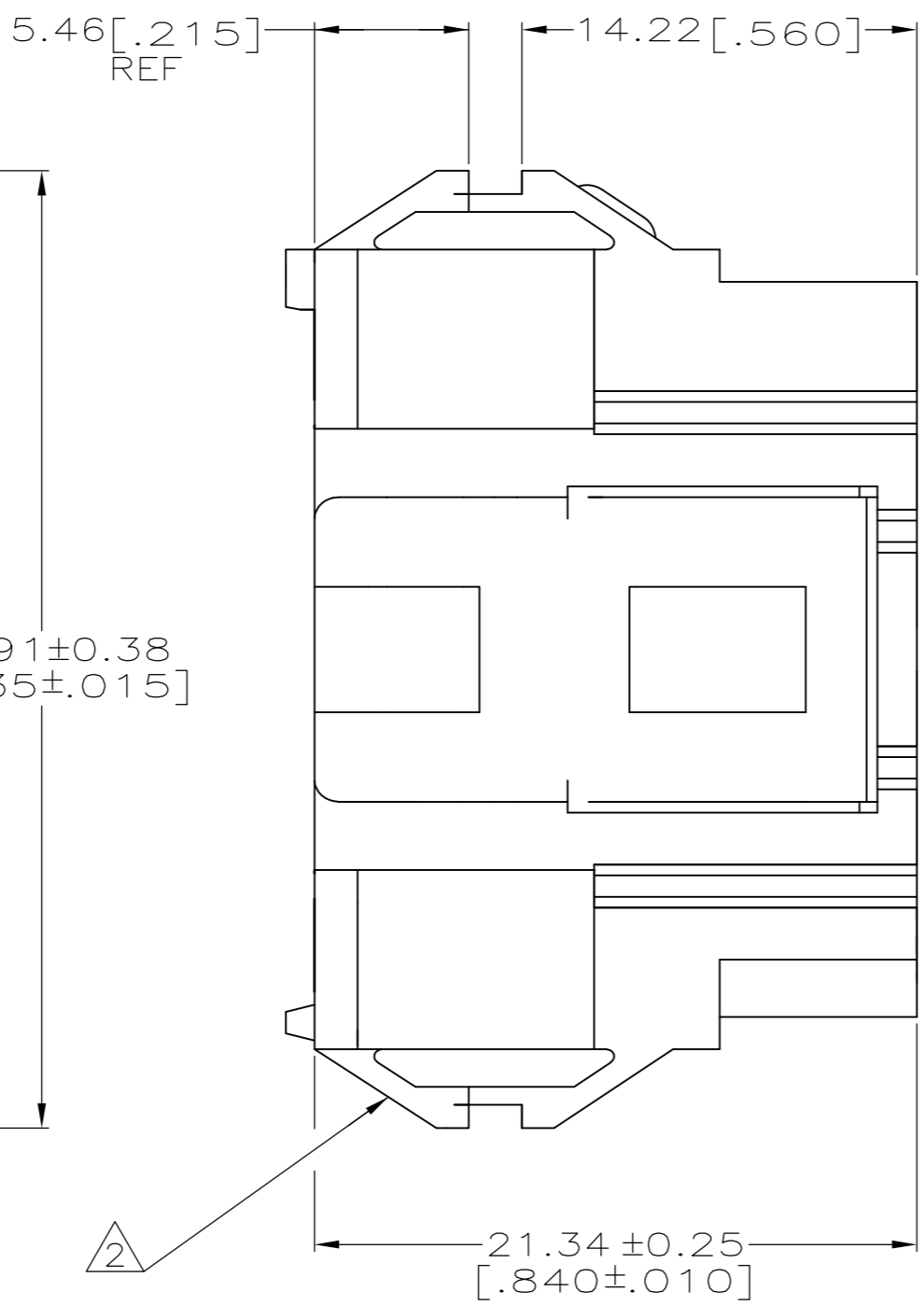
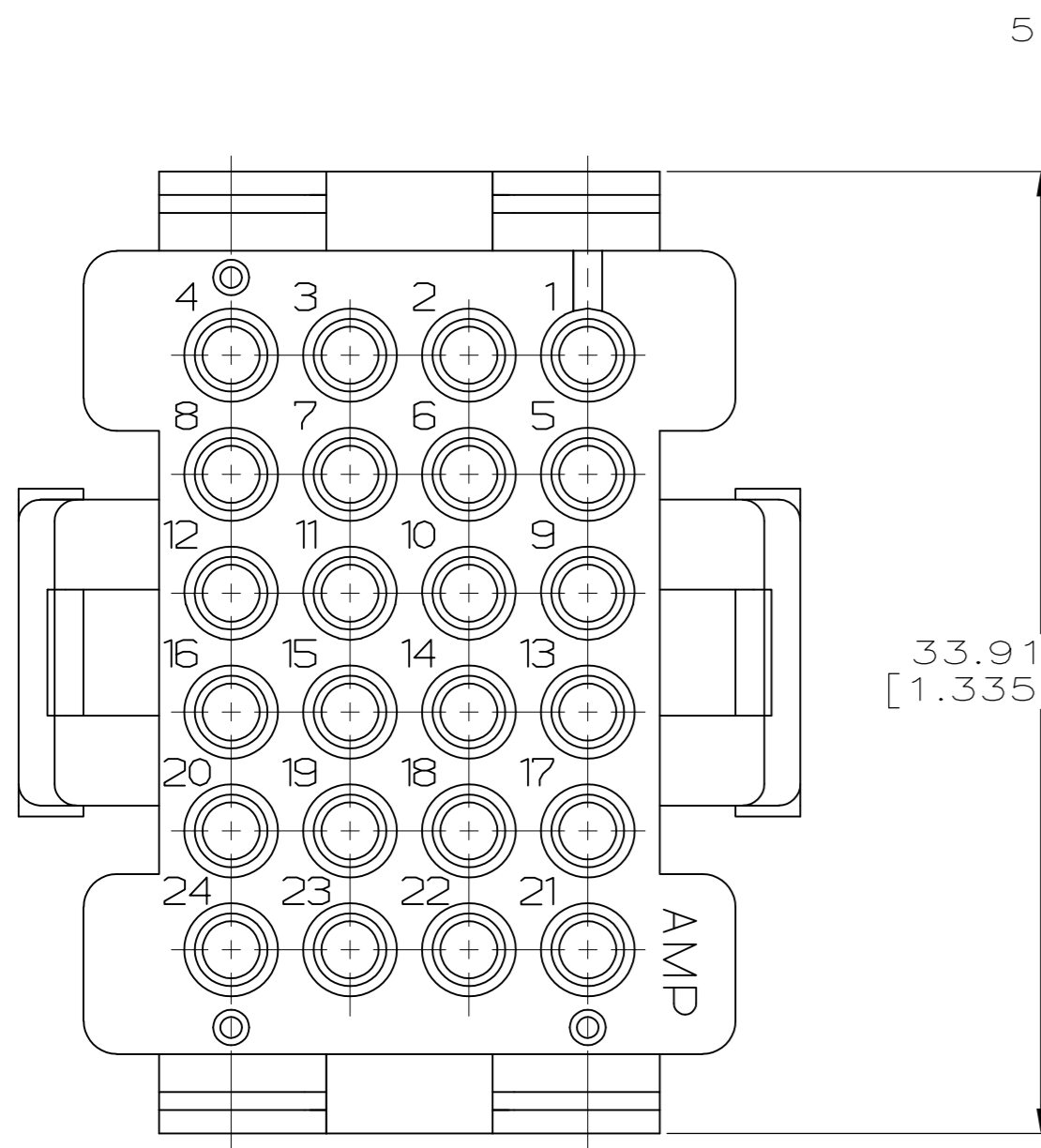
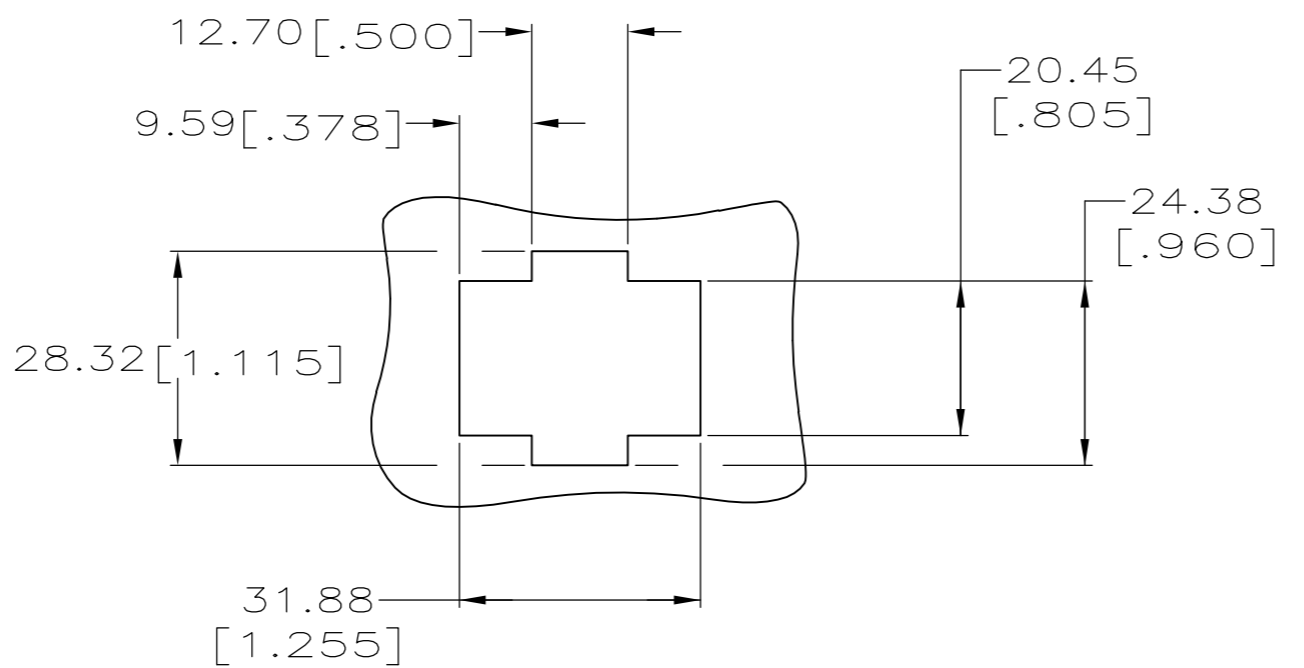
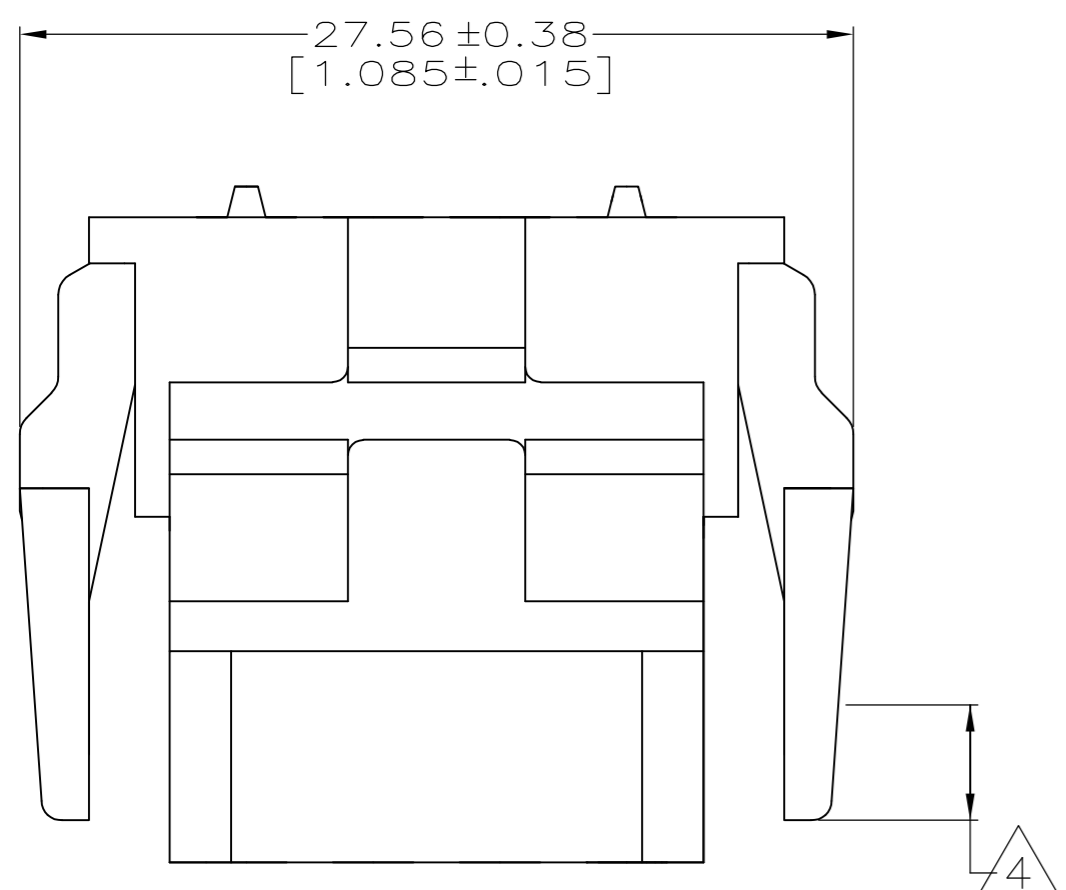


THIS DRAWING IS UNPUBLISHED. RELEASED FOR PUBLICATION
 © COPYRIGHT - By - ALL RIGHTS RESERVED.

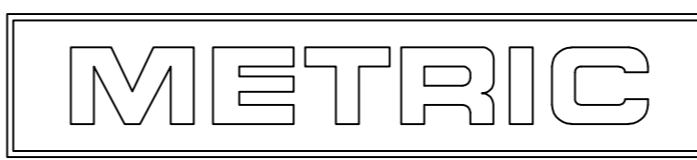
LOC		DIST		REVISIONS			
P	LTR	DESCRIPTION		DATE	DWN	APVD	
CM	52	E1	REVISED PER ECO-11-004917		11MAR11	RK	HMR



- MATES WITH HOUSING 640515.
- UL LOGO AND CSA LOGO TO APPEAR ON EITHER LATCH SURFACE PER AMP SPEC 202-20, I.D. NO. 1-18838-3 AND 1-18839-3. FROST BACKGROUND OPTIONAL.
- DIMENSIONS IN BRACKETS ARE IN INCHES.
- NON-FILL PERMITTED UP TO 3.8[.15] FROM EDGE OF LATCH ARM ON THE 0.38[.015] THICK FLANGE, 4 PLC.



RECOMMENDED CUT OUT FOR 1.73[.068] MAX THICK PANEL SCALE 1:1



1-640525-0
PART NUMBER

THIS DRAWING IS A CONTROLLED DOCUMENT.		DWN R. VESTAL 12-01-97				
DIMENSIONS: mm [INCHES]		CHK R. SWING 12-01-97				
TOLERANCES UNLESS OTHERWISE SPECIFIED:		APVD A. BEDDICK 12-01-97	NAME HOUSING, PLUG MRII 24 POSITION			
0 PLC ± -		PRODUCT SPEC -	SIZE A2	CAGE CODE 00779	DRAWING NO C-640525	RESTRICTED TO -
1 PLC ± -		APPLICATION SPEC -	SCALE 4:1		SHEET 1 OF 1	REV E1
2 PLC ± 0.13[.005]		WEIGHT -	CUSTOMER DRAWING			
3 PLC ± -						
4 PLC ± -						
ANGLES ± 0° 30'						
FINISH -						
MATERIAL NYLON, UL 94V-0, NATURAL (BRICK RED)						