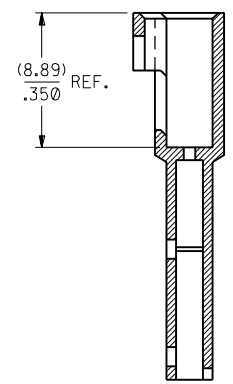
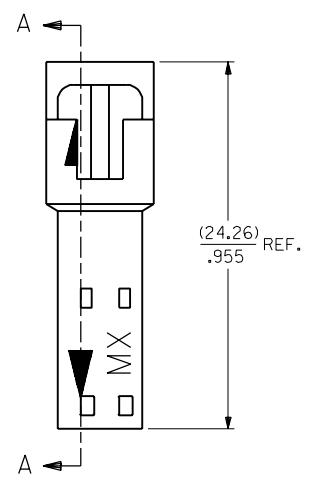
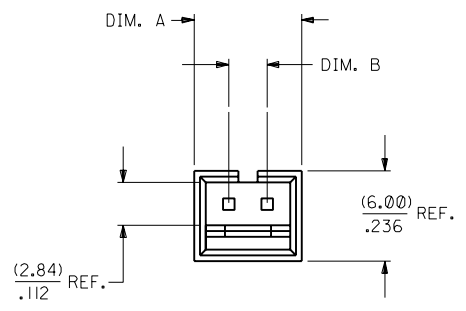


70107

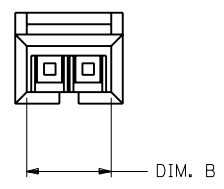
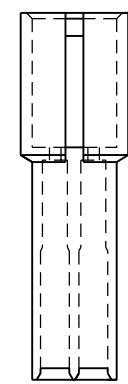
CKT. SIZE	EDP. NO.	ENG. NO.	A	B
2	701-07-0106	70107-0106	$\frac{(7.11)}{.280}$	$\frac{(2.54)}{.100}$
3	701-07-0107	70107-0107	$\frac{(9.65)}{.380}$	$\frac{(5.08)}{.200}$

NOTES:

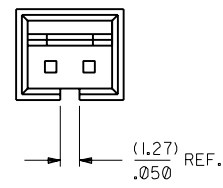
- 1) MATERIAL: POLYESTER, 94V-0
COLOR: BLACK, EDP NUMBER 899920028
- 2) HOUSING TO BE USED WITH TERMINAL
PT. NO. 70021-****
- 3) TO BE USED WITH 70400 SERIES
CONNECTORS (STYLE "G")
- 4) PACKAGE PER PK-70107-100.



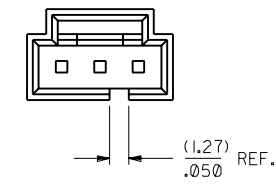
SECTION A-A



2 CIRCUIT



3 CIRCUIT



REV.	DATE	BY	CHK'D BY	SCALE
C				
B				
A				
LTR.	REVISIONS	LTR.	REVISIONS	

DIMENSIONS SHOWN (METRIC) INCH	
UNLESS OTHERWISE SPECIFIED TOLERANCES: ANGULAR ± 1/2°	
3 PLACE ± .010	---
2 PLACE ± .014	± 0.25
1 PLACE ---	± 0.35
DRAFT WHERE APPLICABLE MUST REMAIN WITHIN DIMENSIONS	
DRWG. BY: RS	CHK'D BY: MJM
APP'D. BY: WAZ	SCALE: 4:1

		REVISIONS: $\nabla = 0$ $\blacktriangledown = 0$		REVISE ONLY ON CAD SYSTEM	
TITLE: HOUSING, CONNECTOR (2.54)/.100 GRID VERSION "D" W/REDUCED PROFILE					
PART NO. SD-70107-0106-0107		SHEET NO. 1		DATE 08/15/88	
SEE CHART					
THIS DRAWING CONTAINS INFORMATION THAT IS PROPRIETARY TO MOLEX INC. AND SHOULD NOT BE USED WITHOUT WRITTEN PERMISSION.					

70107

MFG. SH. REV.

DAIC