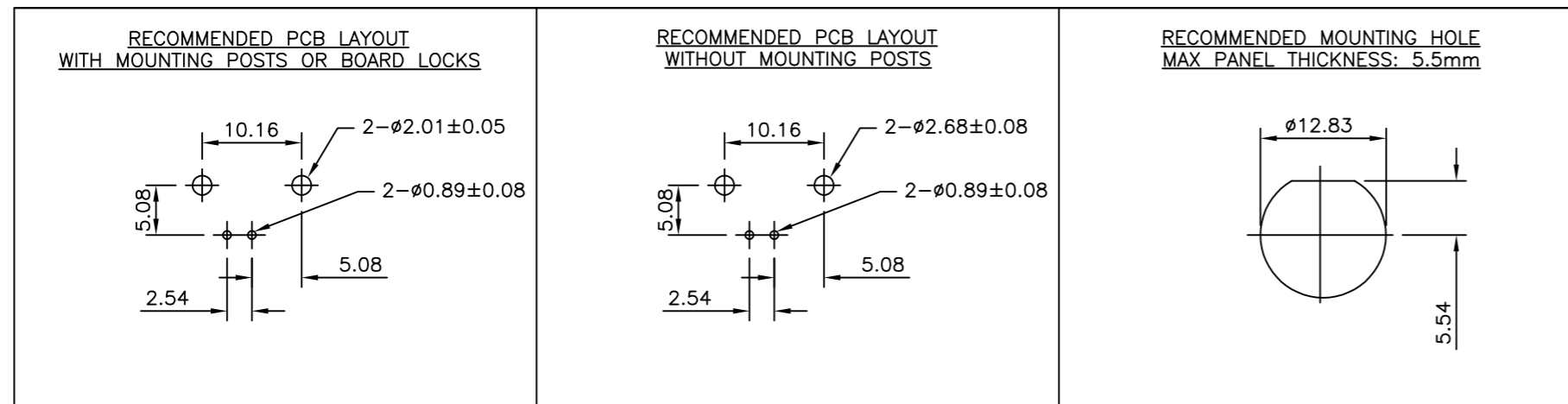
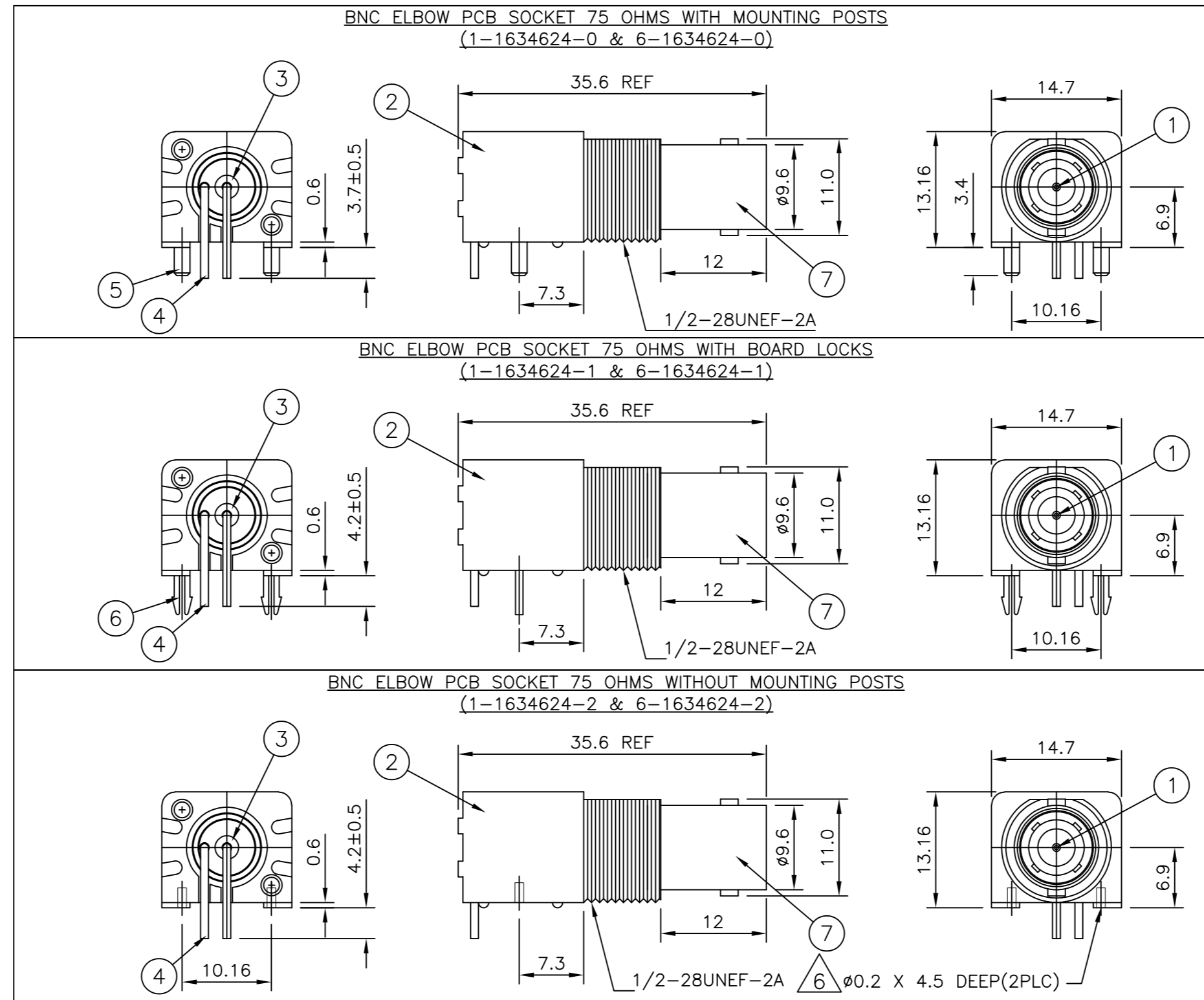


THIS DRAWING IS UNPUBLISHED. RELEASED FOR PUBLICATION AUGUST , 2005.
 © COPYRIGHT 2005 By - ALL RIGHTS RESERVED.

LOC	DIST	REVISIONS					
		P	LTR	DESCRIPTION	DATE	DWN	APVD
E	B	B		ECO-09-003420	05 Mar 09	RITA	BOB
		C		ECO-12-014680	20Aug2012	TITAN	MARTIN
		D		ECO-12-018113	27DEC2012	TITAN	MARTIN

- NOTES:**
1. SINGLE PACK IN ACCORDANCE WITH AMP SPEC 107-3275
 2. 50 TRAY PACK IN ACCORDANCE WITH AMP SPEC 107-3275
 3. Au PLATING OVER Ni PLATING OVER Cu PLATING
 4. Ni PLATING OVER Cu PLATING
 5. TIN PLATING
 6. RECOMMENDED SELF-TAPPING SCREW 221108-4
 7. RECOMMENDED MOUNT NUT 1-1634816-0
 8. RECOMMENDED LOCKWASHER 1-1634817-0
 9. FOR TECHNICAL DATA REFER TO YOUR LOCAL TYCO ELECTRONICS SALES OFFICE
 10. ALL DIMENSIONS ARE NOMINAL FOR REFERENCE ONLY UNLESS OTHERWISE STATED



Obsolete	Obsolete	Obsolete	Obsolete	Obsolete	Obsolete	Obsolete	Obsolete	Obsolete	Obsolete	Obsolete	Obsolete	Obsolete	Obsolete	Obsolete	Obsolete	Obsolete	Obsolete	Obsolete	Obsolete	
1	1	1	1	1	1	1	1	1	1	1	1	1	1	1	1	1	1	1	1	1
-	-	2	2	-	-	2	2	BRASS	BOARD LOCK	6										
-	-	-	-	-	-	2	2	BRASS	MOUNTING POST	5										
1	1	1	1	1	1	1	1	BRASS	SOLDER TAIL	4										
1	1	1	1	1	1	1	1	PE-606	INSULATOR	3										
1	1	1	1	1	1	1	1	PBT BLACK	HOUSING	2										
1	1	1	1	1	1	1	1	BRASS	CONTACT	1										
6--2	1--2	6--1	1--1	6--0	1--0			MATERIAL	DESCRIPTION	ITEM										
△	△	△	△	△	△	△	△													
QUANTITY PER ASSY										PARTS LIST										

THIS DRAWING IS A CONTROLLED DOCUMENT.

DWN: RITA ZUO 05 Mar 09
 CHK: ANSON MA 05 Mar 09
 APVD: BOB ZHAO 05 Mar 09

TE Connectivity
TE

NAME: BNC LOW PROFILE R/A INSULATED PCB SOCKET
 PRODUCT SPEC: 108-112000
 APPLICATION SPEC: -

SIZE: A2 CAGE CODE: 00779 DRAWING NO: C=1634624 RESTRICTED TO: -

MATERIAL: SEE TABLE FINISH: SEE TABLE WEIGHT: - SCALE: NTS SHEET: 1 OF 1 REV: D

CUSTOMER DRAWING