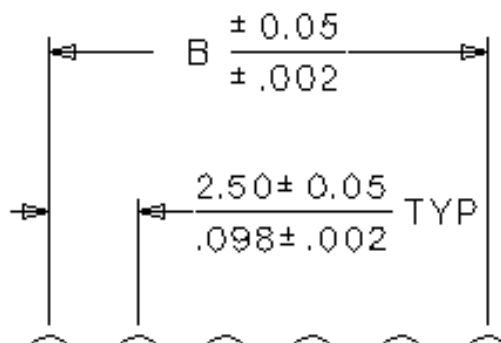
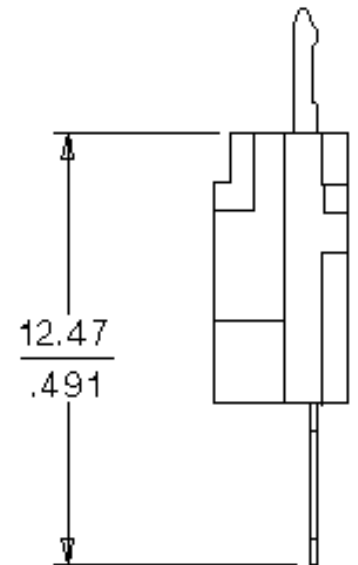
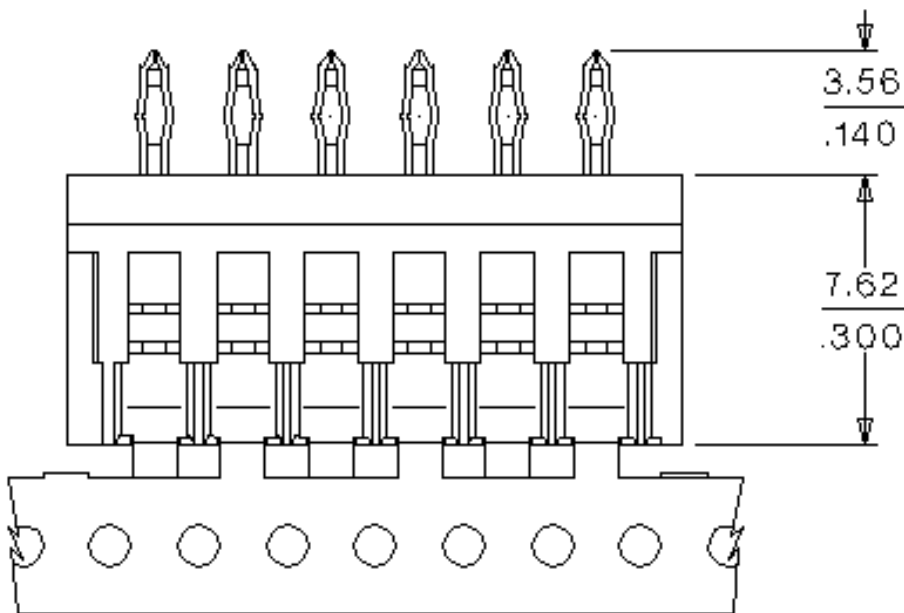
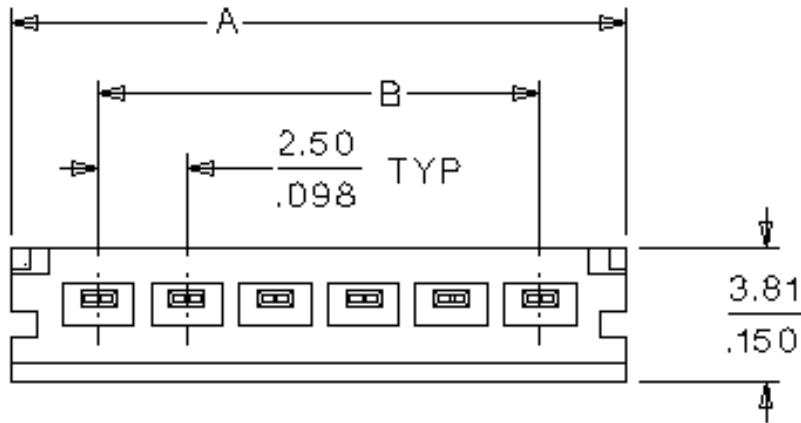
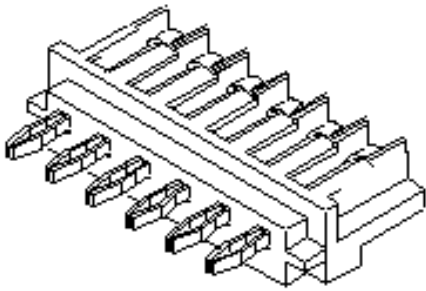
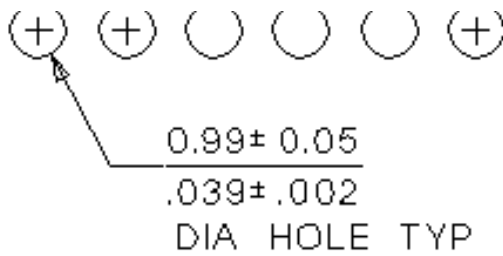


**Wire-to-Board 2.50mm (.098") Pitch SPOX® Connector IDT Board-In 42254**





PCB LAYOUT: COMPONENT SIDE  
 RECOMMENDED PCB THICKNESS

1.57± 0.18  
 .062± .007

Above Drawing For Reference Only

### Ordering Information [Top](#) ↑

Circuits	Order No.	Dimension mm (inches)	
		A	B
2	22-43-2020	<b>7.40</b> (.291)	<b>2.50</b> (.098)
3	22-43-2030	<b>9.90</b> (.390)	<b>5.00</b> (.197)
4	22-43-2040	<b>12.40</b> (.488)	<b>7.50</b> (.295)
5	22-43-2050	<b>14.90</b> (.587)	<b>10.00</b> (.394)
6	22-43-2060	<b>17.40</b> (.685)	<b>12.50</b> (.492)
7	22-43-2070	<b>19.90</b> (.783)	<b>15.00</b> (.591)
8	22-43-2080	<b>22.40</b> (.882)	<b>17.50</b> (.689)
9	22-43-2090	<b>24.90</b> (.980)	<b>20.00</b> (.787)
10	22-43-2100	<b>27.40</b> (1.079)	<b>22.50</b> (.886)
11	22-43-2110	<b>29.90</b> (1.117)	<b>25.00</b> (.984)
12	22-43-2120	<b>32.40</b> (1.276)	<b>27.50</b> (1.082)
13	22-43-2130	<b>34.90</b> (1.374)	<b>30.00</b> (1.181)
14	22-43-2140	<b>37.40</b> (1.472)	<b>32.50</b> (1.279)
15	22-43-2150	<b>39.90</b> (1.571)	<b>35.00</b> (1.378)

\* US Standard Product available through Molex franchised distributors.