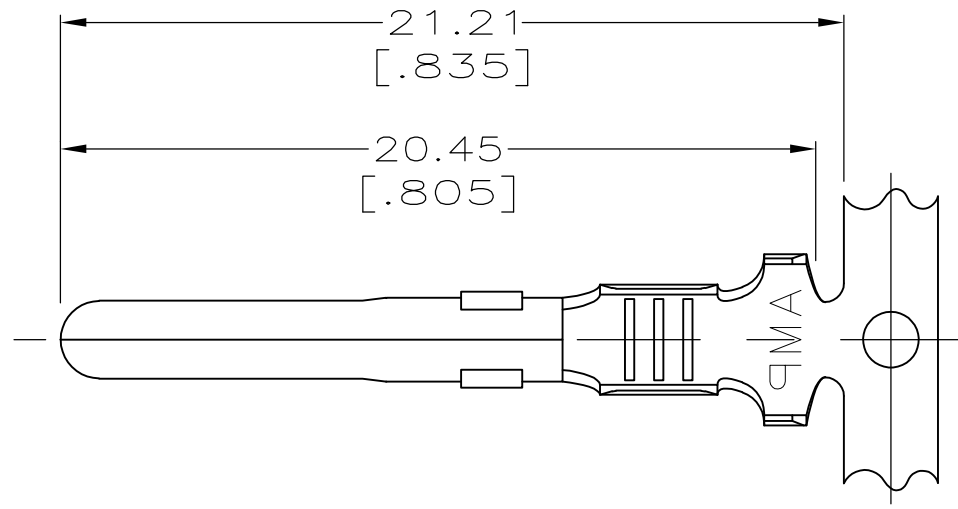
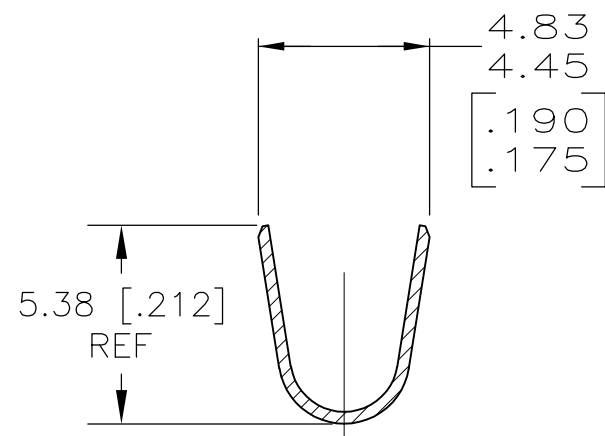
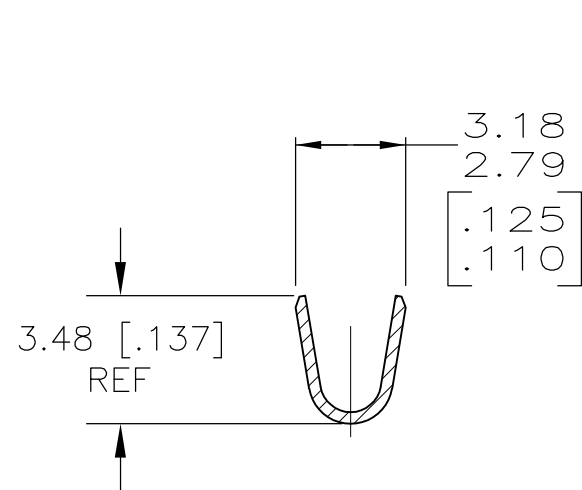
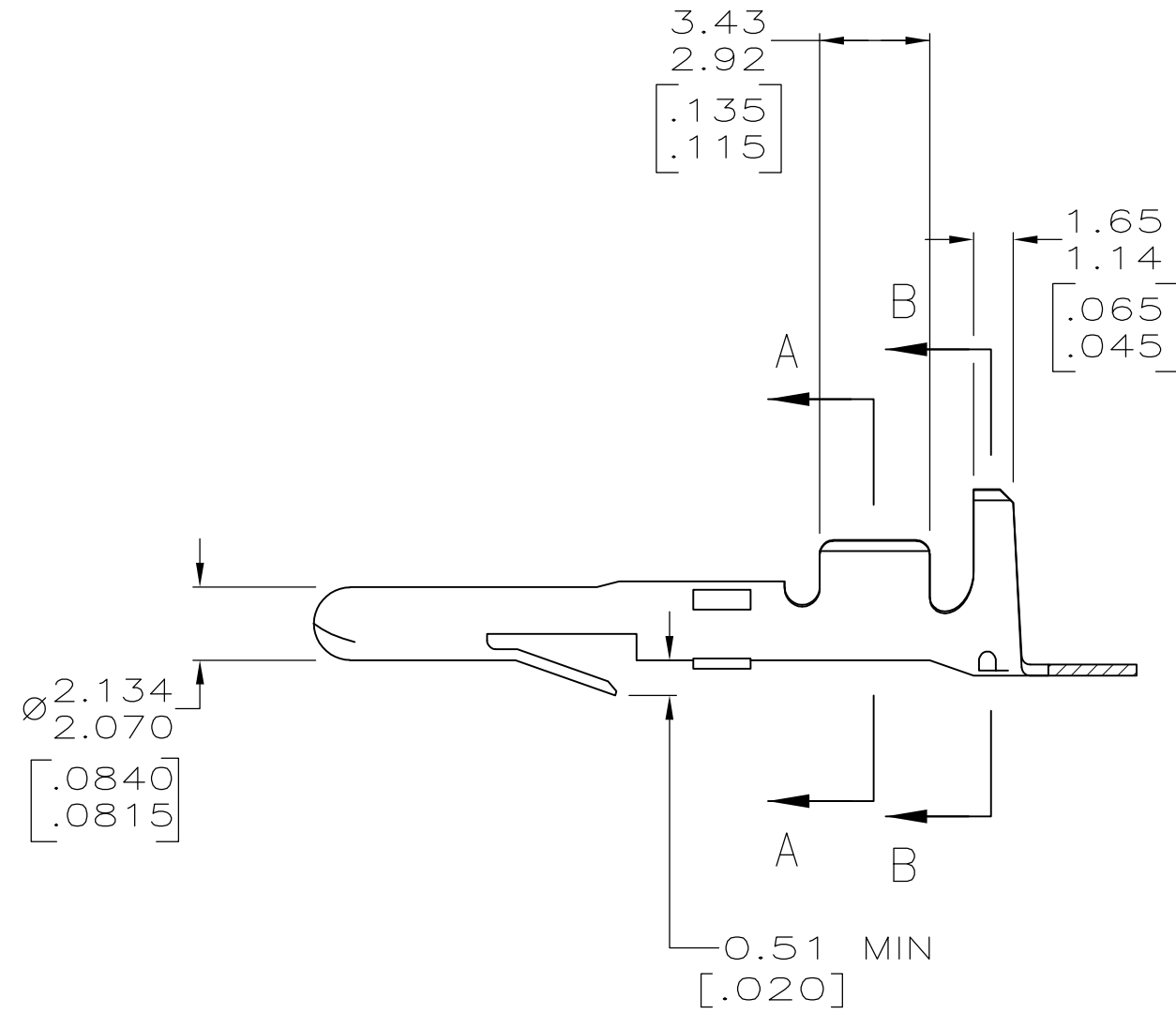


THIS DRAWING IS UNPUBLISHED. RELEASED FOR PUBLICATION
 © COPYRIGHT - By - ALL RIGHTS RESERVED.

LOC	DIST	REVISIONS			
P	LTR	DESCRIPTION	DATE	DWN	APVD
CM	53	L1	REV PER ECR 12-013810	24SEPT12	JR TM



1. WIRE RANGE: 2 WIRES OF 0.8 – 0.9 mm² [18 AWG] OR 1 WIRE OF 0.8 – 0.9 mm² [18 AWG] AND 1 WIRE OF 1.25 – 1.4 mm² [16 AWG].
2. INSULATION RANGE: 2 WIRES OF 2.92 [.115] MAX DIA EACH, STACKED.
3. DIMENSIONS IN BRACKETS ARE IN INCHES.



SECTION A-A

SECTION B-B

METRIC

PRE-TIN	0.30 [.012] PH BRZ	350558-4
PRE-TIN	0.30 [.012] BRASS	350558-1
FINISH	MATERIAL	PART NO.

THIS DRAWING IS A CONTROLLED DOCUMENT.		DWN T. BECK 1-20-93	STE TE Connectivity	
DIMENSIONS: MM [INCHES]		CHK R. SWING 1-20-93		
TOLERANCES UNLESS OTHERWISE SPECIFIED:		APVD C. MARTIN 1-25-93	NAME PIN, MATE-N-LOK	
0 PLC ± -		PRODUCT SPEC	-	
1 PLC ± -		APPLICATION SPEC	-	
2 PLC ± 0.25 [.010]		WEIGHT	-	
3 PLC ± -		SIZE	A2	
4 PLC ± -		CAGE CODE	00779	
ANGLES ± -		DRAWING NO	C-350558	
FINISH		RESTRICTED TO	-	
MATERIAL SEE TABLE	FINISH SEE TABLE	SCALE	5:1	
CUSTOMER DRAWING		SHEET	1 of 1	
		REV	L1	