

LOC	DIST	REVISIONS					
A	66	P	LTR	DESCRIPTION	DATE	DWN	APVD
			H1	SEE PRODUCT DRAWING	-	-	-


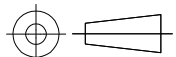
SEE PRODUCTION DRAWING
566390

THIS DRAWING IS UNPUBLISHED.

ALL INTERNATIONAL RIGHTS RESERVED.

BY TYCO ELECTRONICS CORPORATION.

© COPYRIGHT

DIMENSIONS: INCHES	DWN	03MAR2011	MATERIAL	-	FINISH	-
	CHK	-	 Tyco Electronics Corporation Harrisburg, PA 17105-3608			
TOLERANCES UNLESS OTHERWISE SPECIFIED:	APVD	-				
0 PLC ± -	PRODUCT SPEC	-	NAME			
1 PLC ± -	APPLICATION SPEC	-	SIDE FEED THRU SPLICE APPLICATOR			
2 PLC ± -			SIZE	CAGE CODE	DRAWING NO	RESTRICTED TO
3 PLC ± -			A4	00779	C-566390	-
4 PLC ± -	WEIGHT	-	CUSTOMER DRAWING			
ANGLES ± -			SCALE	1:1	SHEET	1 OF 1
					REV	H1