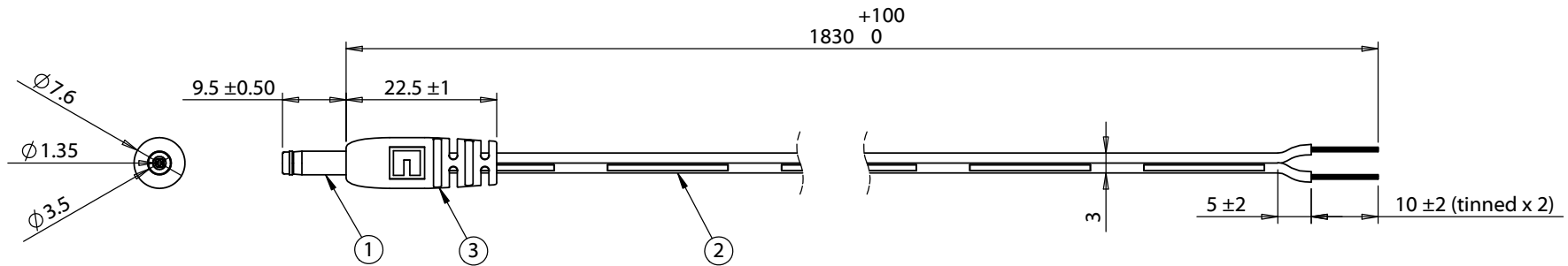


ITEM NO.	PART NUMBER	DESCRIPTION	QTY.	COMPONENT NOTES
1	50-00315	Connector, dc plug, 3.5x1.35xL20mm, brass, nickel plated, molding type, white insulators	1	
2	30-00405	Wire, 2C TS, 24 AWG, UL2468, 300V, 80C, 3.0 mm, VW-1, PVC, 87A, white	1	
3	24-00002	Overmold, PVC, white	1	



Notes:

Cables individually tied and bundled in groups of 10

Functionally equivalent components may be substituted

4 A, 12 Vdc

Wiring Diagram	
50-00315	wire color
center	white with stripe
sleeve	white

Revision:	Date:	Description:	Prepared:	Notes:	<h1>TENSILITY</h1> <p>tel 1.541.323.3228 800 877.670.7118 fax 1.541.323.4202 web tensility.com</p>
A	10/31/2014	Initial release	Verified:	RoHS and REACH compliant	
			Dimensions are in millimeters.	Function test: no open, no short circuit, no intermittent	
			Tolerances: X: ± 0.5 mm X.X: ± 0.3 mm X.XX: ± 0.05 mm	Description: Cable, 1830 mm, 3.5x1.35x9.5 mm 50-00315 dc plug to stripped tinned, 24 AWG, 30-00405 wire, white	
Scale: 1:2		Part number: 10-01249		Sheet 1 of 1	