

Features

- Programmable AVR® 8-bit Flash Microcontroller Transmitter IC
- Frequency: 315 MHz (ATA6285N) and 433 MHz (ATA6286N)
- Support ASK/FSK Modulation with Integrated FSK Switch
- 6 dBm Output Power with Typically 8.5 mA Active Current Consumption in Transmission Mode
- Low-power Microcontroller Requires Typically 0.6 µA Sleep Current with Active Interval Timer
- Interfaces for Simple Capacitive Sensors (2 pF to 6 pF)
- One Interface Can Be Configured for Motion Wake-up (3 pF to 5 pF)
- Typically 25 mbar ADC Resolution for Pressure Measurement with Dedicated Sensor Type
- Low-power Measurement Mode for Directly Connected Capacitive Sensors Typically 200 µA at 1 MHz System Clock
- Programmable 125 kHz Wake-up Receiver Channel with Typically 1.7 µA Current Consumption in Listening Mode
- 2V to 3.6V Operation Voltage for Single Li-cell Power Supply
- -40°C to +125°C Operation Temperature and -40°C to +150°C Storage Temperature
- Less than 10 External Passive Components
- QFN32 (5 mm × 5 mm) Package

1. Description

ATA6285N and ATA6286N are highly integrated smart RF micro transmitter ICs for 315 MHz and 433 MHz, suited for ASK and FSK with typically 20 Kbits/s data rate in Manchester mode. The devices combine the functionality of the RF transmitter ICs ATA5756/ATA5757 with the programmable low-power AVR 8-bit Flash microcontroller in a single QFN32 package (5 mm × 5 mm). The ATA6285N and ATA6286N include a dedicated ADC interface for simple capacitive sensors as well as an on-chip temperature sensor. Three sensor interfaces are available for a capacitive range of 2 pF to 16 pF, where one channel can be configured as motion wake-up in the range of 3 pF to 5 pF. The ICs are suited for use in tire pressure monitoring (TPMS) sensor gauges in combination with external sensor devices.

The programmable AVR 8-bit Flash microcontroller includes 8 Kbytes of in-system self-programmable Flash memory and an 320-Bytes EEPROM, thus allowing the system integrator to install field-programmable firmware to enable system flexibility on different platforms. ATA6285N and ATA6286N can be configured to guarantee extremely low power consumption in sleep mode and measurement mode. They also include a programmable 125 kHz wake-up receiver channel for extremely low current consumption in listening mode. The ICs are designed for use in applications with typically less than 10 passive components: one external crystal for the sensor gauge, several capacitors, a single LiMnO₂ battery coin cell, a single-ended antenna for the data transmission and an LF ferrite coil for the wake-up channel. ATA6285N and ATA6286N support TPMS-specific low-current modes even with an active brown-out detection and an interval timer.



TPMS Control and Transmitter IC

ATA6285N
ATA6286N

Summary

Preliminary

NOTE: This is a summary document. The complete document is available under NDA. For more information, please contact your local Atmel sales office.

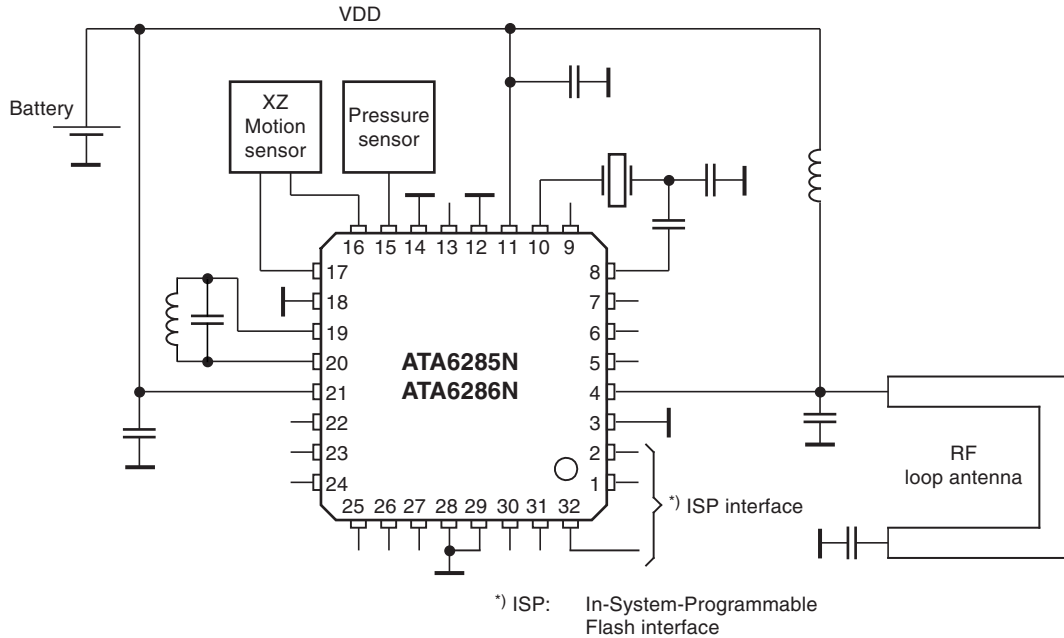
4958BS-AUTO-01/09



2. Overview

2.1 Application

Figure 2-1. Tire Pressure Monitoring System (TPMS)

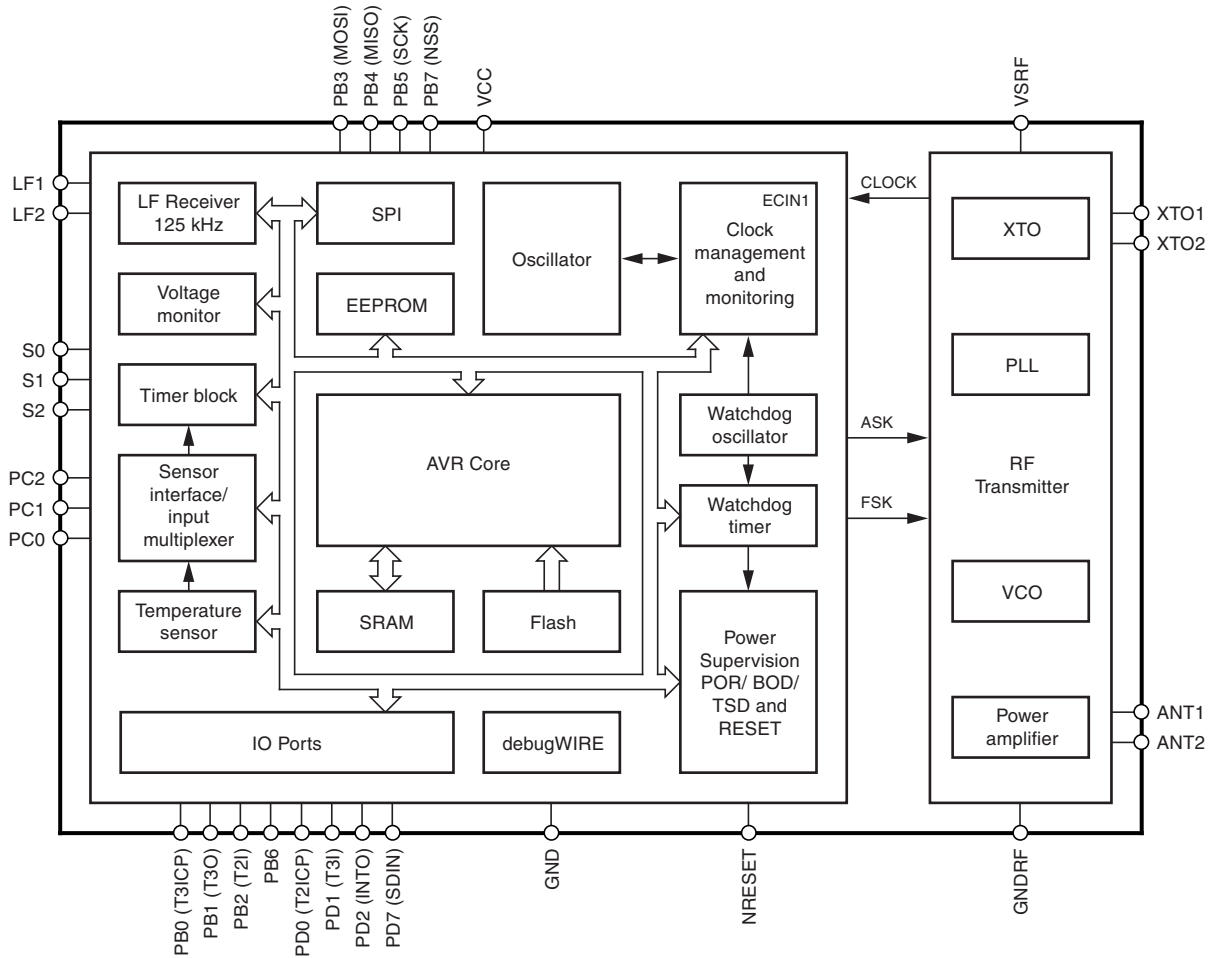


Crystal Frequency 13.56 MHz for 433 MHz application

Crystal Frequency 13.125 MHz for 315 MHz application

2.2 Block Diagram

Figure 2-2. ATA6285N/ATA6286N Block Diagram (MCP)



2.3 Inter-die Bonding

The ATA6285N/ATA6286N are Smart RF Micro Transmitter ICs in MCP (Multi Chip Package) technology. [Table 2-1](#) shows the internal assembly of the MCP.

Table 2-1. Inter-die Connection Description of the MCP

AVR – Pin	ATA5756/ATA5757 – Pin
PD3 (INT1) – External interrupt input 1	EN – Enable input
PD4 (ECIN1) – External clock input 1	CLK – Clock output signal
PD5 (T2O1) – Timer2 modulator output 1	ASK – Input signal
PD6 (T2O2) – Timer2 modulator output 2	FSK – Input signal

2.4 Pin Configuration

Figure 2-3. Pinning QFN32

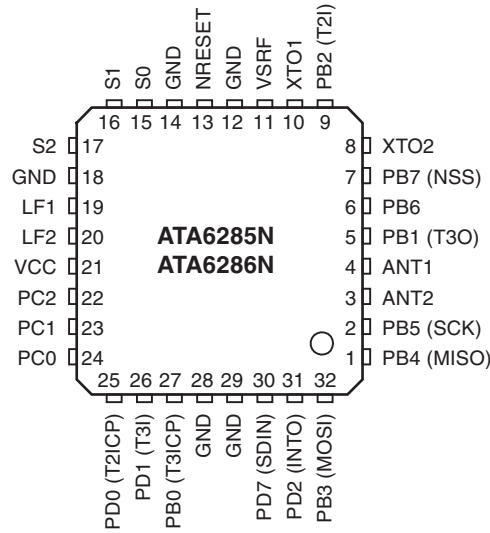


Table 2-2. Pin Description

Pin Number	Pin Name	Alternate Function 1	Alternate Function 2	Function	Comment
1	PB4	MISO	PCINT4	SPI	Port B4
2	PB5	SCK	PCINT5	SPI	Port B5
3	ANT2	–	–	RF-antenna 2. Emitter of antenna output stage	RF pin
4	ANT1	–	–	RF-antenna 1. Open collector antenna output	RF pin
5	PB1	T3O	PCINT1	Timer3 output	Port B1
6	PB6	–	PCINT6		Port B6
7	PB7	NSS	PCINT7	SPI	Port B7
8	XT02	–	–	Switch for FSK modulation	RF pin
9	PB2	T2I	PCINT2	Timer2 external input clock	Port B2
10	XT01	–	–	Connection for crystal	RF pin
11	VS_RF	–	–	Power supply voltage for RF	RF pin
12	GND	–	–	Power supply ground for RF	RF pin
13	NRESET	debugWIRE	–	Reset input/debugWIRE interface	
14	GND	–	–	Power supply ground	
15	S0	–	–	Sensor input 0 – Pressure Sensor (Cap.)	
16	S1	–	–	Sensor input 1 – X – Motion Sensor (Cap.)	
17	S2	–	–	Sensor input 2 – Z - Motion Sensor (Cap.)	
18	GND	–	–	Power supply ground	

Note: 1. Internal inter-die connection of the MCP

Table 2-2. Pin Description (Continued)

Pin Number	Pin Name	Alternate Function 1	Alternate Function 2	Function	Comment
19	LF1	–	–	LF-receiver input 1	
20	LF2	–	–	LF-receiver input 2	
21	V _{CC}	–	–	Power supply voltage (V _{CC} + AV _{CC})	
22	PC2	–	PCINT10	-	Port C2
23	PC1	CLKO	PCINT9	System clock output	Port C1
24	PC0	ECIN0	PCINT8	External Clock input 0	Port C1
25	PD0	T2ICP	PCINT16	Timer2 external input capture	Port D0
26	PD1	T3I	PCINT17	Timer3 external input clock	Port D1
27	PB0	T3ICP	PCINT0	Timer3 external input capture	Port B0
28	GND	–	–	Power supply ground	
29	GND	–	–	Power supply ground	
Inter-die ⁽¹⁾	PD3	INT1	PCINT19	External Interrupt 1 → Inter-die connection	Port D2
Inter-die ⁽¹⁾	PD4	ECIN1	PCINT20	External Clock input 1 → Inter-die connection	Port D4
Inter-die ⁽¹⁾	PD5	T2O1	PCINT21	Timer2 Modulator output 1 → Inter-die connection	Port D5
Inter-die ⁽¹⁾	PD6	T2O2	PCINT22	Timer2 Modulator output 2 → Inter-die connection	Port D6
30	PD7	SDIN	PCINT23	SSI –Serial Data Input	Port D7
31	PD2	INT0	PCINT18	External interrupt input 0	Port D2
32	PB3	MOSI	PCINT3	SPI	Port B3

Note: 1. Internal inter-die connection of the MCP

2.5 Pin Names

2.5.1 VCC

Supply voltage

2.5.2 GND

Ground

2.5.3 Port B (PB7..0)

Port B is a 5(8)-bit bi-directional I/O port with internal pull-up resistors (selected for each bit). The PB7, PB6 and PB2 ports are only used as internal I/O ports for inter-die connections. The Port B output buffers have symmetrical drive characteristics with both high sink and source current capability. As inputs, Port B pins that are externally pulled low will source current if the pull-up resistors are activated. The Port B pins are tri-stated when a reset condition becomes active, even if the clock is not running.

Port B also serves the functions of various special features of the ATmegaT.

2.5.4 Port C (PC2..0)

Port C is a 3-bit bi-directional I/O port with internal pull-up resistors (selected for each bit). The Port C output buffers have symmetrical drive characteristics with both high sink and source current capability. As inputs, Port C pins that are externally pulled low will source current if the pull-up resistors are activated. The Port C pins are tri-stated when a reset condition becomes active, even if the clock is not running.

2.5.5 Port D (PD7..0)

Port D is a 7(1)-bit bi-directional I/O port with internal pull-up resistors (selected for each bit). The PD(6..3) pins are used as internal inter-die connection I/O ports. The Port D output buffers have symmetrical drive characteristics with both high sink and source current capability. As inputs, Port D pins that are externally pulled low will source current if the pull-up resistors are activated. The Port D pins are tri-stated when a reset condition becomes active, even if the clock is not running.

Port D also serves the functions of various special features of the ATmegaT.

2.5.6 NRESET

Reset input. A low level on this pin for longer than the minimum pulse length will generate a reset, even if the clock is not running. Shorter pulses than defined minimum pulse length are not guaranteed to generate a reset.

2.5.7 LF (2..1)

Input coil pins for the LF-Receiver.

2.5.8 S (2..0)

Measuring input pins for external capacitance sensor elements.

2.5.9 ANT(2, 1)

RF-Antenna pins.

2.5.10 XTO(0, 1)

External crystal for the internal RF transmitter IC.

3. Low Power AVR 8-bit Microcontroller

3.1 Features

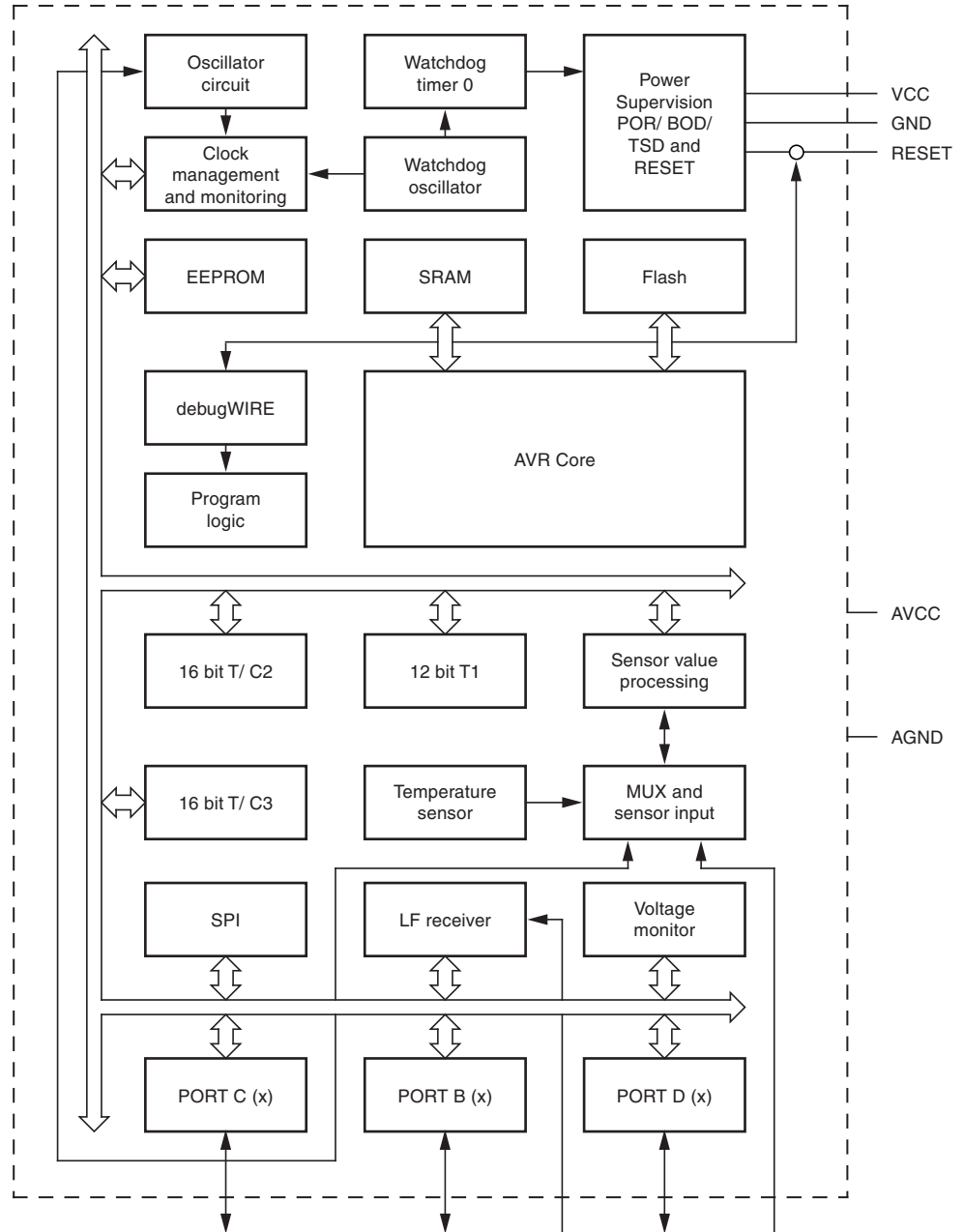
- High Performance, Extremely Low Power AVR 8-bit Microcontroller
- Advanced RISC Architecture
 - 131 Powerful Instructions
 - 32 × 8 General Purpose Working Registers
 - Fully Static Operation
 - On-chip 2-cycle Multiplier
- Non-volatile Program and Data Memories
 - 8 Kbytes of In-system Self-programmable Flash
 - Optional Boot Code Section with Independent Lock Bits
 - 320 (256 + 64) Bytes EEPROM
 - 512 Bytes Internal SRAM
 - Programming Lock for Software Security
- Peripheral Features
 - Programmable Watchdog/Interval Timer with Separate, Internally Calibrated and Extremely Low-power Oscillator
 - Two 16-bit Timer/Counter with Compare Mode, Capture Mode, and On-chip Digital Data Modulator Circuitry
 - Integrated On-chip Temperature Sensor with Thermal Shutdown Function
 - Sensor Interface for External Pressure Sensor and XZ- Motion Sensor
 - Highly Sensitive 1D LF-receiver
 - Programmable Voltage Monitor
 - System Clock Management and Clock Monitoring
 - Master/Slave SPI Serial Interface
 - Integrated Debug-Wire-Interface
 - Interrupt and Wake-up on Pin Change
- Special Microcontroller Features
 - Power-on Reset and Programmable Brown-out Detection
 - Internal Calibrated RC Oscillator
 - External and Internal Interrupt Sources
 - Three Sleep Modes: Idle, Sensor Noise Reduction, and Power-down
- I/O and Package
 - 15 Programmable I/O Lines

3.2 Overview

The embedded core is an extremely low-power CMOS 8-bit microcontroller based on the AVR enhanced RISC architecture. By executing powerful instructions in a single clock cycle, the AVR core achieves throughputs approaching 1 MIPS per MHz allowing the designer to optimize power consumption versus processing speed.

3.3 Block Diagram

Figure 3-1. Microcontroller Block Diagram



The AVR core combines a rich instruction set with 32 general purpose working registers. All the 32 registers are directly connected to the Arithmetic Logic Unit (ALU), allowing two independent registers to be accessed in one single instruction executed in one clock cycle. The resulting architecture is more code efficient while achieving throughputs up to ten times faster than conventional CISC microcontrollers.

The embedded architecture provides the following features: 8K bytes of In-System Programmable Flash with Read-While-Write capabilities, 320 (256 + 64) bytes EEPROM, 512 bytes SRAM, 11(19) general purpose I/O lines, 32 general purpose working registers, On-chip Debugging support and programming, two flexible Timer/Counters with compare modes, internal and external interrupts, a sensor interface for external pressure sensor and Acceleration/Motion sensor, a programmable Watchdog Timer with internal calibrated Oscillator, an SPI serial port, and three software selectable power saving modes.

The device is manufactured using Atmel[®]'s high density non-volatile memory technology. The On-chip ISP Flash allows the program memory to be reprogrammed In-System through an SPI serial interface, by a conventional non-volatile memory programmer, or by an On-chip Boot program running on the AVR core. The Boot program can use any interface to download the application program in the Application Flash memory. Software in the Boot Flash section will continue to run while the Application Flash section is updated, providing true Read-While-Write operation. By combining an 8-bit RISC CPU with In-System Self-Programmable Flash on a monolithic chip, the Atmel ATmegaT is a powerful microcontroller that provides a highly flexible and cost effective solution to many embedded control applications.

The AVR is supported with a full suite of program and system development tools including: C Compilers, Macro Assemblers, Program Debugger/Simulators, In-Circuit Emulators, and Evaluation Kits.



4. UHF ASK/FSK Transmitter for ATA6285N/ATA6286N

4.1 Features

- PLL Transmitter IC with Single-ended Output
- High output Power (6 dBm) at 8.1 mA (315 MHz) and 8.5 mA (433 MHz) Typical Values
- Divide by 24 (ATA6285N) and 32 (ATA6286N) Blocks for 13 MHz Crystal Frequencies and for Low XTO Start-up Times
- Modulation Scheme ASK/FSK with Internal FSK Switch
- Up to 20 Kbits/s Manchester Coding, Up to 40 Kbits/s NRZ Coding
- Power-down Idle and Power-up Modes to Adjust Corresponding Current Consumption through ASK/FSK/Enable Input Pins
- ENABLE Input for Parallel Usage of Controlling Pins in a 3-wire Bus System
- CLK Output Switches ON if the Crystal Current Amplitude Has Reached 35% to 80% of its Final Value
- Crystal Oscillator Time until CLK Output Is Activated, Typically 0.6 ms

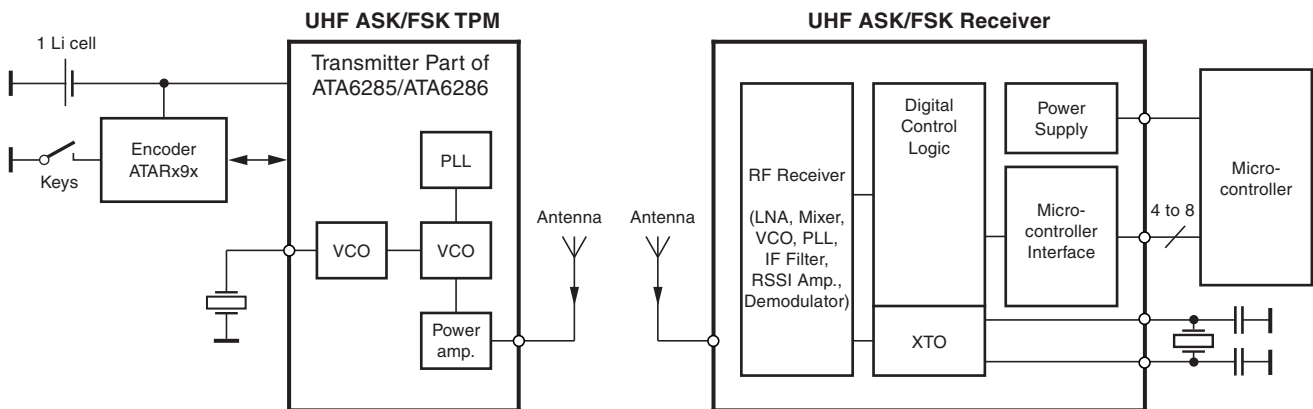
4.2 Benefits

- Low Parasitic FSK Switch Integrated
- Very Short and Reproducible Time to Transmit Typically < 0.85 ms
- 13.125 MHz/13.56 MHz Crystals Give Opportunity for Small Package Sizes

4.3 Description

The ATA6285N/ATA6286N is a PLL transmitter part which has been developed for the demands of RF low-cost transmission systems at data rates up to 20 Kbits/s Manchester coding and 40 Kbits/s NRZ coding. The transmitting frequency range is 313 MHz to 317 MHz (ATA6285N) and 432 MHz to 448 MHz (ATA6286N), respectively. It can be used in both FSK and ASK systems. Due to its shortened crystal oscillator settling time it is well suited for Tire Pressure Monitoring (TPMS) and for Passive Entry Go applications.

Figure 4-1. System Block Diagram



4.4 General Description

This fully integrated PLL transmitter allows the design of simple, low-cost RF miniature transmitters for TPM and RKE applications. The VCO is locked to $24 \times f_{XTAL}/32 \times f_{XTAL}$ for ATA6285N/ATA6286N. Thus, a 13.125 MHz/13.56 MHz crystal is needed for a 315 MHz/433.92 MHz transmitter. All other PLL and VCO peripheral elements are integrated.

The XTO is a series resonance (current mode) oscillator. Only one capacitor and a crystal connected in series to GND are needed as external elements in an ASK system. The internal FSK switch, together with a second capacitor, can be used for FSK modulation. The crystal oscillator needs typically 0.6 ms until the CLK output is activated if a crystal as defined in the electrical characteristics is used (e.g., TPM crystal). For most crystals used in RKE systems, a shorter time will result.

The CLK output is switched on if the amplitude of the current flowing through the crystal has reached 35% to 80% of its final value. This is synchronized with the 1.64 MHz/1.69 MHz CLK output. As a result, the first period of the CLK output is always a full period. The PLL is then locked $< 250 \mu\text{s}$ after CLK output activation. This means an additional wait time of $\geq 250 \mu\text{s}$ is necessary before the PA can be switched on and the data transmission can start. This results in a significantly lower time of about 0.85 ms between enabling the ATA6285N/ATA6286N and the beginning of the data transmission which saves battery power especially in tire pressure monitoring systems.

The power amplifier is an open-collector output delivering a current pulse which is nearly independent from the load impedance and therefore the output power can be controlled via the connected load impedance.

This output configuration enables a simple matching to any kind of antenna or to 50Ω . A high power efficiency for the power amplifier results if an optimized load impedance of $Z_{\text{Load, opt}} = 380\Omega + j340\Omega$ (ATA6285N) at 315 MHz and $Z_{\text{Load, opt}} = 280\Omega + j310\Omega$ (ATA6286N) at 433.92 MHz is used at the 3V supply voltage.

4.5 Functional Description

If ASK = Low, FSK = Low and ENABLE = open or Low, the circuit is in power-down mode consuming only a very small amount of current so that a lithium cell used as power supply can work for many years.

If the ENABLE pin is left open, ENABLE is the logical OR operation of the ASK and FSK input pins. This means, the IC can be switched on by either the FSK or the ASK input.

If the ENABLE pin is Low and ASK or FSK are High, the IC is in idle mode where the PLL, XTO and power amplifier are off and the microcontroller ports controlling the ASK and FSK inputs can be used to control other devices. This can help to save ports on the microcontroller in systems where other devices with 3-wire interface are used.

With FSK = High and ASK = Low and ENABLE = open or High, the PLL and the XTO are switched on and the power amplifier is off. When the amplitude of the current through the crystal has reached 35% to 80% of its final amplitude, the CLK driver is automatically activated. The CLK output stays Low until the CLK driver has been activated. The driver is activated synchronously with the CLK output frequency, hence, the first pulse on the CLK output is a complete period. The PLL is then locked within $< 250 \mu\text{s}$ after the CLK driver has been activated, and the transmitter is then ready for data transmission.

With ASK = High the power amplifier is switched on. This is used to perform the ASK modulation. During ASK modulation the IC is enabled with the FSK or the ENABLE pin.

With FSK = Low the switch at pin XTO2 is closed, with FSK = High the switch is open. To achieve a faster start-up of the crystal oscillator, the FSK pin should be High during start-up of the XTO because the series resistance of the resonator seen from pin XTO1 is lower if the switch is off.

The different modes of the ATA6285N/ATA6286N are listed in [Table 4-1](#).

Table 4-1. Transmitter Part

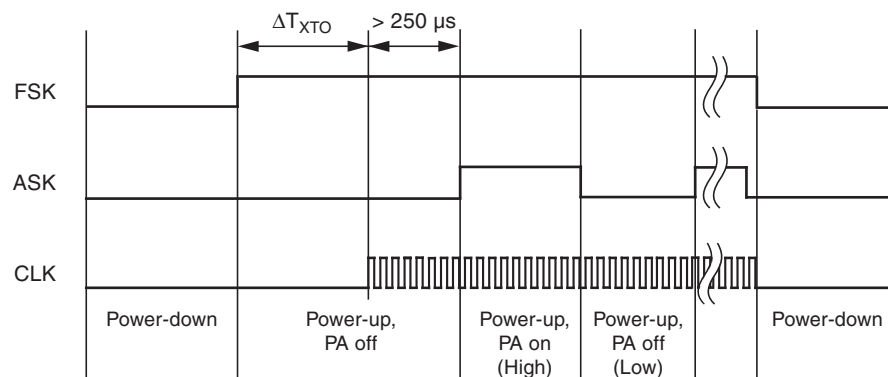
ASK Pin	FSK Pin	ENABLE Pin	Mode
Low	Low	Low/open	Power-down mode, FSK switch High Z
Low	Low	High	Power-up, PA off, FSK switch Low Z
Low	High	High/open	Power-up, PA off, FSK switch High Z
High	Low	High/open	Power-up, PA on, FSK switch Low Z
High	High	High/open	Power-up, PA on, FSK switch High Z
Low/High	High	Low	Idle mode, FSK switch High Z
High	Low/High	Low	Idle mode, FSK switch High Z

4.5.1 Transmission with ENABLE = Open

4.5.1.1 ASK Mode

The ATA6285N/ATA6286N is activated by ENABLE = open, FSK = High, ASK = Low. The microcontroller is then switched to external clocking. After typically 0.6 ms, the CLK driver is activated automatically (i.e., the microcontroller waits until the XTO and CLK are ready). After another time period of $\leq 250 \mu\text{s}$, the PLL is locked and ready to transmit. The output power can then be modulated by means of pin ASK. After transmission, ASK is switched to Low and the microcontroller returns back to internal clocking. Then, the ATA6285N/ATA6286N is switched to power-down mode with FSK = Low.

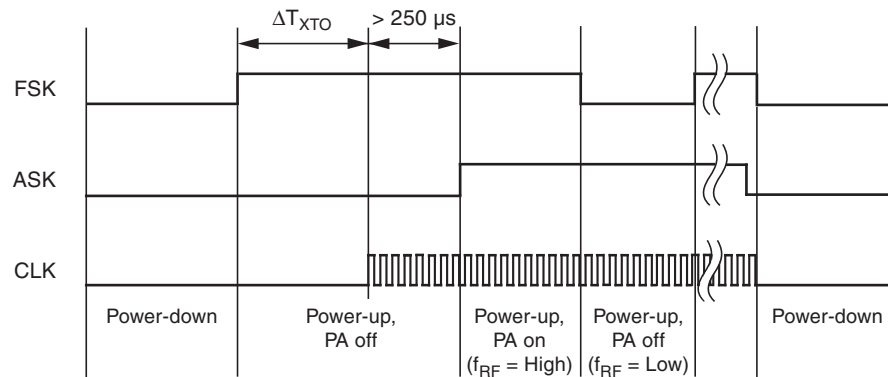
Figure 4-2. Timing ASK Mode with ENABLE Open



4.5.1.2 FSK Mode

The ATA6285N/ATA6286N is activated by FSK = High, ASK = Low. The microcontroller is then switched to external clocking. After typically 0.6 ms, the CLK driver is activated automatically (i.e., the microcontroller waits until the XTO and CLK are ready). After another time period of $\leq 250 \mu\text{s}$, the PLL is locked and ready to transmit. The power amplifier is switched on with ASK = H. The ATA6285N/ATA6286N is then ready for FSK modulation. The microcontroller starts to switch on and off the capacitor between the crystal load capacitor and GND by means of pin FSK, thus, changing the reference frequency of the PLL. If FSK = L the output frequency is lower, if FSK = H output frequency is higher. After transmission, FSK stays High and ASK is switched to Low and the microcontroller returns back to internal clocking. Then, the ATA6285N/ATA6286N is switched to power-down mode with FSK = Low.

Figure 4-3. Timing FSK Mode with ENABLE Open

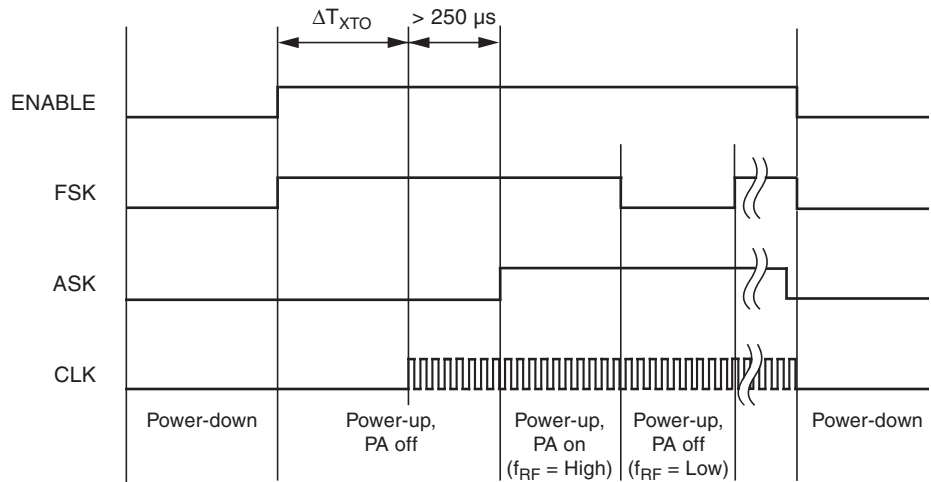


4.5.2 Transmission with ENABLE = High

4.5.2.1 FSK Mode

The ATA6285N/ATA6286N is activated by ENABLE = High, FSK = High and ASK = Low. The microcontroller is then switched to external clocking. After typically 0.6 ms, the CLK driver is activated automatically (i.e., the microcontroller waits until the XTO and CLK are ready). After another time period of $\leq 250 \mu\text{s}$, the PLL is locked and ready to transmit. The power amplifier is switched on with ASK = H. The ATA6285N/ATA6286N is then ready for FSK modulation. The microcontroller starts to switch on and off the capacitor between the crystal load capacitor and GND by means of pin FSK, thus, changing the reference frequency of the PLL. If FSK = L the output frequency is lower, if FSK = H output frequency is higher. After transmission, ASK is switched to Low and the microcontroller returns back to internal clocking. Then, the ATA6285N/ATA6286N is switched to power-down mode with ENABLE = Low and FSK = Low.

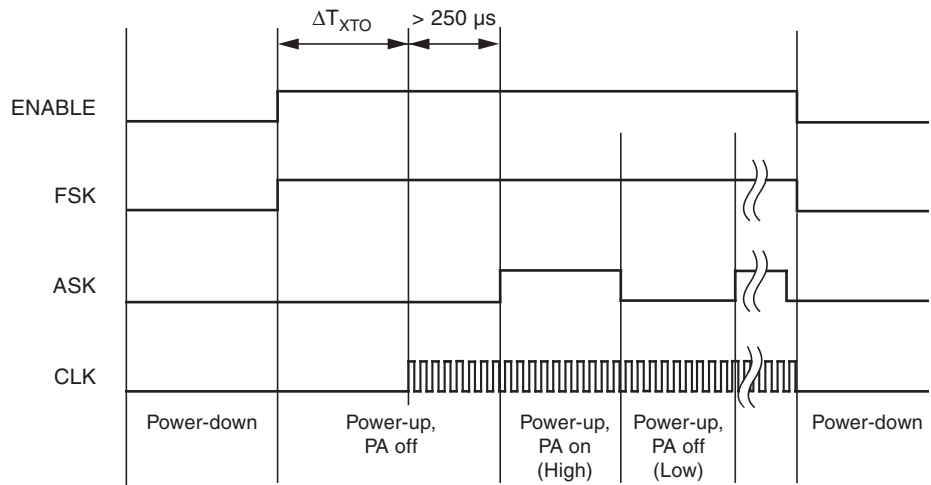
Figure 4-4. Timing FSK Mode with ENABLE Connected to the Microcontroller



4.5.2.2 ASK Mode

The ATA6285N/ATA6286N is activated by ENABLE = High, FSK = High and ASK = Low. After activation the microcontroller is switched to external clocking. After typically 0.6 ms, the CLK driver is activated automatically (the microcontroller waits until the XTO and CLK are ready). After another time period of $\leq 250 \mu\text{s}$, the PLL is locked and ready to transmit. The output power can then be modulated by means of pin ASK. After transmission, ASK is switched to Low and the microcontroller returns back to internal clocking. Then, the ATA6285N/ATA6286N is switched to power-down mode with ENABLE = Low and FSK = Low.

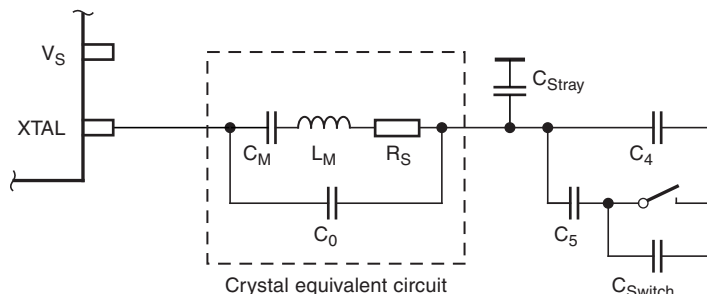
Figure 4-5. Timing ASK Mode with ENABLE Connected to the Microcontroller



4.5.3 Accuracy of Frequency Deviation

The accuracy of the frequency deviation using the XTAL pulling method is about $\pm 20\%$ if the following tolerances are considered. One important aspect is that the values of C_0 and C_M of typical crystals are strongly correlated which reduces the tolerance of the frequency deviation.

Figure 4-6. Tolerances of Frequency Modulation



Using a crystal with a motional capacitance of $C_M = 4.37 \text{ fF} \pm 15\%$, a nominal load capacitance of $CL_{\text{NOM}} = 18 \text{ pF}$ and a parallel capacitance of $C_0 = 1.30 \text{ pF}$ correlated with C_M results in $C_0 = 297 \times C_M$ (the correlation has a tolerance of 10%, so $C_0 = 267$ to $326 \times C_M$). If using the internal FSK switch with $C_{\text{Switch}} = 0.9 \text{ pF} \pm 20\%$ and estimated parasitics of $C_{\text{Stray}} = 0.7 \text{ pF} \pm 10\%$, the resulting C_4 and C_5 values are $C_4 = 10 \text{ pF} \pm 1\%$ and $C_5 = 15 \text{ pF} \pm 1\%$ for a nominal frequency deviation of $\pm 19.3 \text{ kHz}$ with worst case tolerances of $\pm 15.8 \text{ kHz}$ to $\pm 23.2 \text{ kHz}$.

4.5.4 Accuracy of the Center Frequency

The imaginary part of the impedance in large signal steady state oscillation IM_{XTO} , seen into the pin 7 (XTO1), causes some additional frequency tolerances, due to pulling of the XTO oscillation frequency. These tolerances have to be added to the tolerances of the crystal itself (adjustment tolerance, temperature stability and ageing) and the influence to the center frequency due to tolerances of C_4 , C_5 , C_{Switch} and C_{Stray} . The nominal value of $IM_{\text{XTO}} = 110\Omega$, C_{Switch} and C_{Stray} should be absorbed into the C_4 and C_5 values by using a crystal with known frequency and choosing C_4 and C_5 , so that the XTO center frequency equals the crystal frequency, and the frequency deviation is as expected. Then, from the nominal value, the IM_{XTO} has $\pm 90\Omega$ tolerances, using the pulling formula $P = -IM_{\text{XTO}} \times C_M \times \text{Pi} \times f_{\text{XTO}}$ with $f_{\text{XTO}} = 13.56 \text{ MHz}$ and $C_M = 4.4 \text{ fF}$ an additional frequency tolerance of $P = \pm 16.86 \text{ ppm}$ results. If using crystals with other C_M the additional frequency tolerance can be calculated in the same way. For example, a lower $C_M = 3.1 \text{ fF}$ will reduce the frequency tolerance to 11.87 ppm, where a higher $C_M = 5.5 \text{ fF}$ increases the tolerance to 21.07 ppm.

4.5.5 CLK Output

An output CLK signal of 1.64 MHz (ATA6285N operating at 315 MHz) and 1.69 MHz (ATA6286N operating at 433.92 MHz) is provided for a connected microcontroller. The delivered signal is CMOS-compatible with a High and Low time of $>125 \text{ ns}$ if the load capacitance is lower than 20 pF. The CLK output is Low in power-down mode due to an internal pull-down resistor. After enabling the PLL and XTO the signal stays Low until the amplitude of the crystal oscillator has reached 35% to 80% of its amplitude. Then, the CLK output is activated synchronously with its output signal so that the first period of the CLK output signal is a full period.

4.5.5.1 Clock Pulse Take-over by Microcontroller

The clock of the crystal oscillator can be used for clocking the microcontroller. Atmel's ATARx9x microcontroller family provides the special feature of starting with an integrated RC oscillator to switch on the ATA6285N/ATA6286N external clocking and to wait automatically until the CLK output of the ATA6285N/ATA6286N is activated. After a time period of 250 μ s the message can be sent with crystal accuracy.

4.5.6 Output Matching and Power Setting

The output power is set by the load impedance of the antenna. The maximum output power is achieved with a load impedance of $Z_{Load, opt} = 380\Omega + j340\Omega$ (ATA6286N) at 315 MHz and $Z_{Load, opt} = 280\Omega + j310\Omega$ (ATA6285N) at 433.92 MHz. A low resistive path to V_S is required to deliver the DC current.

The power amplifier delivers a current pulse and the maximum output power is delivered to a resistive load if the 0.66 pF output capacitance of the power amplifier is compensated by the load impedance.

At the ANT1 pin, the RF output amplitude is about $V_S - 0.5V$.

The load impedance is defined as the impedance seen from the ATA6285N's ANT1, ANT2 into the matching network. Do not mix up this large-signal load impedance with a small-signal input impedance delivered as an input characteristic of RF amplifiers.

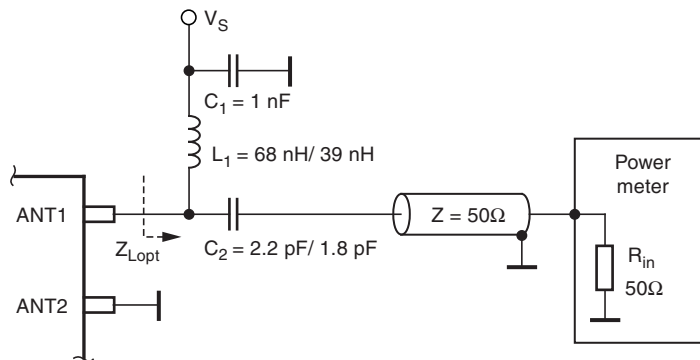
The latter is measured from the application into the IC instead of from the IC into the application for a power amplifier.

The 0.66 pF output capacitance absorbed into the load impedance a real impedance of 684 Ω (ATA6285N) at 315 MHz and 623 Ω (ATA6286N) at 433.92 MHz should be measured with a network analyses at pin 5 (ANT1) with the ATA6285N/ATA6286N soldered, an optimized antenna connected and the power amplifier switched off.

Less output power is achieved by lowering the real parallel part where the parallel imaginary part should be kept constant. Lowering the real part of the load impedance also reduces the supply voltage dependency of the output power.

Output power measurement can be done with the circuit as shown in Output Power Measurement. Please note that the component values must be changed to compensate the individual board parasitics until the ATA6285N/ATA6286N has the right load impedance. Also, the damping of the cable used to measure the output power must be calibrated.

Figure 4-7. Output Power Measurement ATA6285N/ATA6286N



5. Ordering Information

Extended Type Number	Package	Frequency	MOQ	Remarks
ATA6285N-PNPW	QFN32	315 MHz	Packaging unit: 1,500	Taped and reeled
ATA6286N-PNPW	QFN32	433 MHz	Packaging unit: 1,500	Taped and reeled
ATA6285N-PNQW	QFN32	315 MHz	6,000	Taped and reeled
ATA6286N-PNQW	QFN32	433 MHz	6,000	Taped and reeled

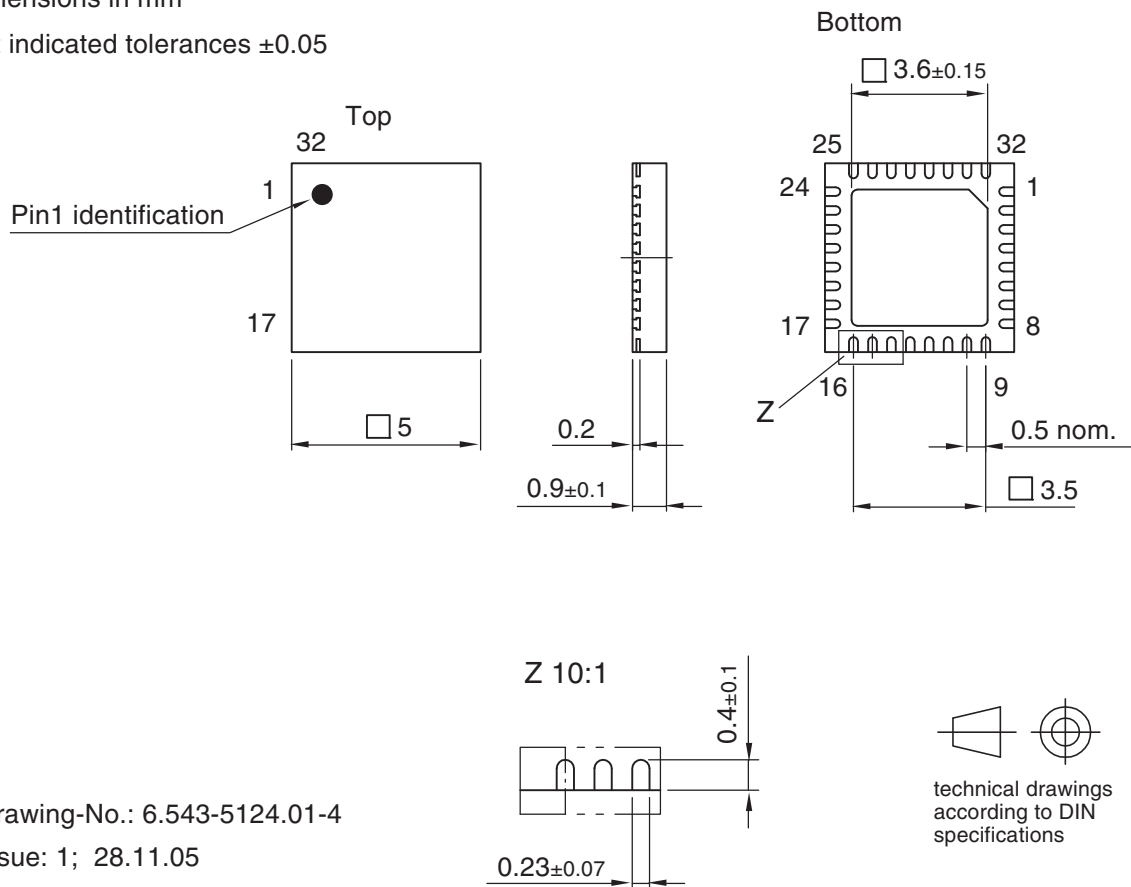
6. Package Information

Package: QFN_ 5 x 5_32L

Exposed pad 3.6 x 3.6

Dimensions in mm

Not indicated tolerances ± 0.05



Drawing-No.: 6.543-5124.01-4

Issue: 1; 28.11.05

7. Revision History

Please note that the following page numbers referred to in this section refer to the specific revision mentioned, not to this document.

Revision No.	History
4958BS-AUTO-01/09	<ul style="list-style-type: none">• ATA6285/ATA6286 renamed in ATA6285N/ATA6286N



Headquarters

Atmel Corporation
2325 Orchard Parkway
San Jose, CA 95131
USA
Tel: 1(408) 441-0311
Fax: 1(408) 487-2600

International

Atmel Asia
Unit 1-5 & 16, 19/F
BEA Tower, Millennium City 5
418 Kwun Tong Road
Kwun Tong, Kowloon
Hong Kong
Tel: (852) 2245-6100
Fax: (852) 2722-1369

Atmel Europe
Le Krebs
8, Rue Jean-Pierre Timbaud
BP 309
78054
Saint-Quentin-en-Yvelines Cedex
France
Tel: (33) 1-30-60-70-00
Fax: (33) 1-30-60-71-11

Atmel Japan
9F, Tonetsu Shinkawa Bldg.
1-24-8 Shinkawa
Chuo-ku, Tokyo 104-0033
Japan
Tel: (81) 3-3523-3551
Fax: (81) 3-3523-7581

Product Contact

Web Site
www.atmel.com

Technical Support
auto_control@atmel.com

Sales Contact
www.atmel.com/contacts

Literature Requests
www.atmel.com/literature

Disclaimer: The information in this document is provided in connection with Atmel products. No license, express or implied, by estoppel or otherwise, to any intellectual property right is granted by this document or in connection with the sale of Atmel products. **EXCEPT AS SET FORTH IN ATMEL'S TERMS AND CONDITIONS OF SALE LOCATED ON ATMEL'S WEB SITE, ATMEL ASSUMES NO LIABILITY WHATSOEVER AND DISCLAIMS ANY EXPRESS, IMPLIED OR STATUTORY WARRANTY RELATING TO ITS PRODUCTS INCLUDING, BUT NOT LIMITED TO, THE IMPLIED WARRANTY OF MERCHANTABILITY, FITNESS FOR A PARTICULAR PURPOSE, OR NON-INFRINGEMENT. IN NO EVENT SHALL ATMEL BE LIABLE FOR ANY DIRECT, INDIRECT, CONSEQUENTIAL, PUNITIVE, SPECIAL OR INCIDENTAL DAMAGES (INCLUDING, WITHOUT LIMITATION, DAMAGES FOR LOSS OF PROFITS, BUSINESS INTERRUPTION, OR LOSS OF INFORMATION) ARISING OUT OF THE USE OR INABILITY TO USE THIS DOCUMENT, EVEN IF ATMEL HAS BEEN ADVISED OF THE POSSIBILITY OF SUCH DAMAGES.** Atmel makes no representations or warranties with respect to the accuracy or completeness of the contents of this document and reserves the right to make changes to specifications and product descriptions at any time without notice. Atmel does not make any commitment to update the information contained herein. Unless specifically provided otherwise, Atmel products are not suitable for, and shall not be used in, automotive applications. Atmel's products are not intended, authorized, or warranted for use as components in applications intended to support or sustain life.

© 2009 Atmel Corporation. All rights reserved. Atmel®, logo and combinations thereof, AVR® and others are registered trademarks or trademarks of Atmel Corporation or its subsidiaries. Other terms and product names may be trademarks of others.