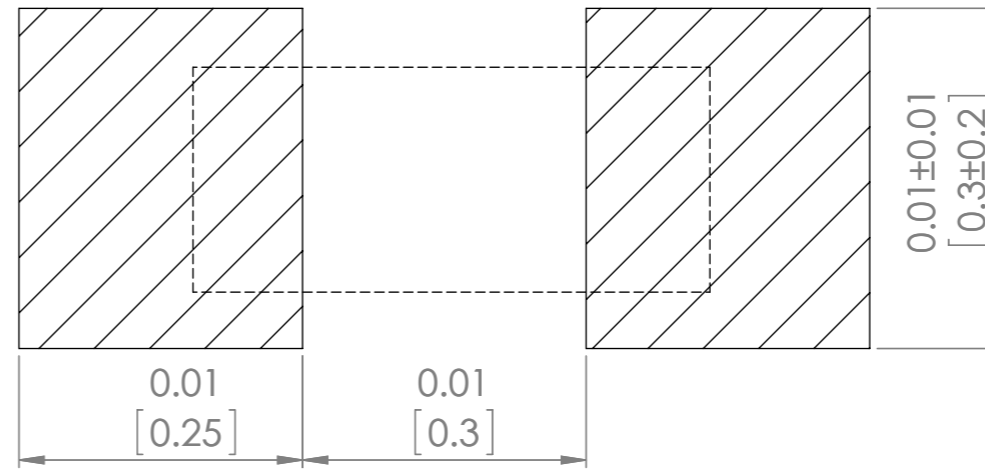
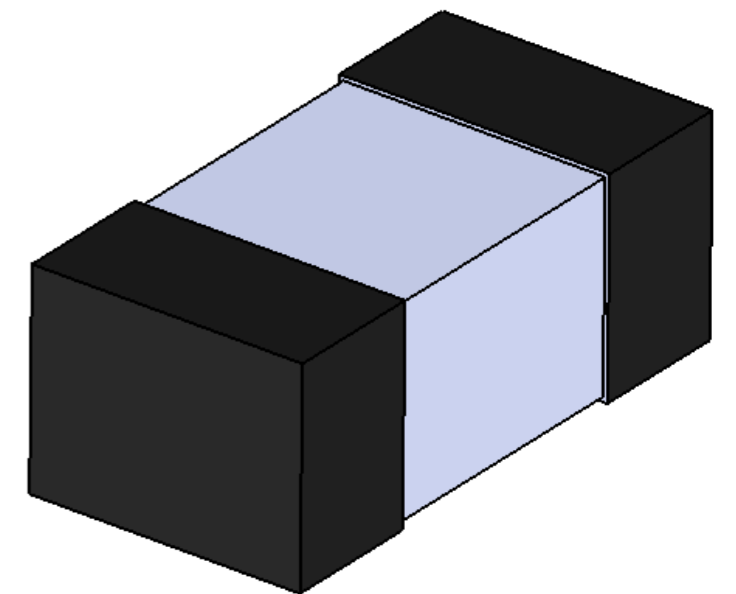
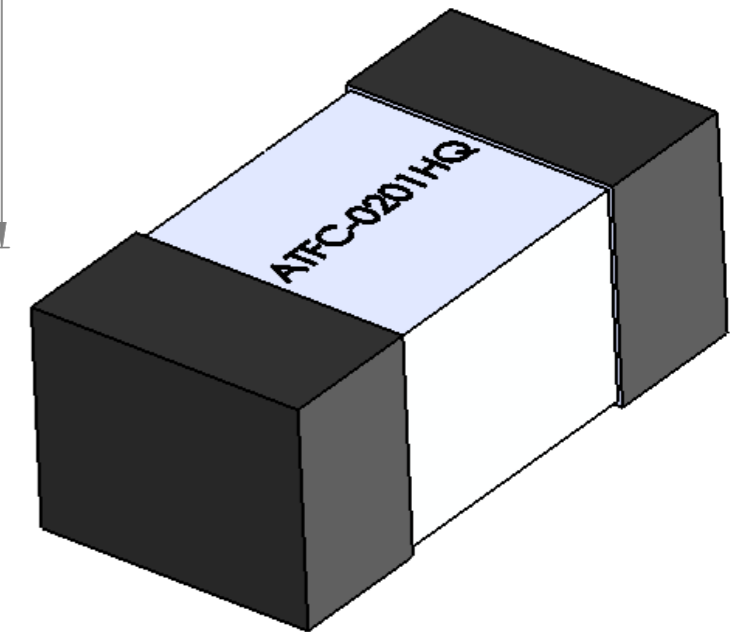


Recommended Land Pattern



No.	Material
1	Alumina Substrate
2	Inner Electrode (Ni-Cr)
3	Barrier Layer (Ni)
4	External Electrode (Sn)
5	Edge Electrode
6	Cu Circuits
7	Overcoat



UNLESS OTHERWISE SPECIFIED: DIMENSIONS ARE IN MM SURFACE FINISH: TOLERANCES: LINEAR: ANGULAR:				FINISH:		DEBUR AND BREAK SHARP EDGES		DO NOT SCALE DRAWING		REVISION -	
DRAWN SAAZVAT		SIGNATURE		DATE		30332 Esperanza, Rancho Santa margarita, California 92688					
CHK'D XXXXXX						TITLE: Thin Film					
APPV'D						DWG NO. ATFC-0201HQ		A3			
MFG						SCALE: 150:1		SHEET 1 OF 1			
Q.A						WEIGHT: 0.00					