

# MICRO SWITCH

FREEPORT ILLINOIS, U.S.A  
A DIVISION OF HONEYWELL  
FED. MFG. CODE 91929

# SWITCH - BASIC

CATALOG LISTING

YZ-2R5556T

AWG8551

YZ-2R5556T

PAGE 1 OF 1

X115108-YZ

REPLACES ECO-0005292

M

DRAWING NUMBER

B

ISSUE

REVISIONS

A	0015138	SPK	29 AUG 05
---	---------	-----	-----------

CHECK

05

29 AUG 05

RJ

CHECK

04

06 MAY 04

AK

CHECK

04

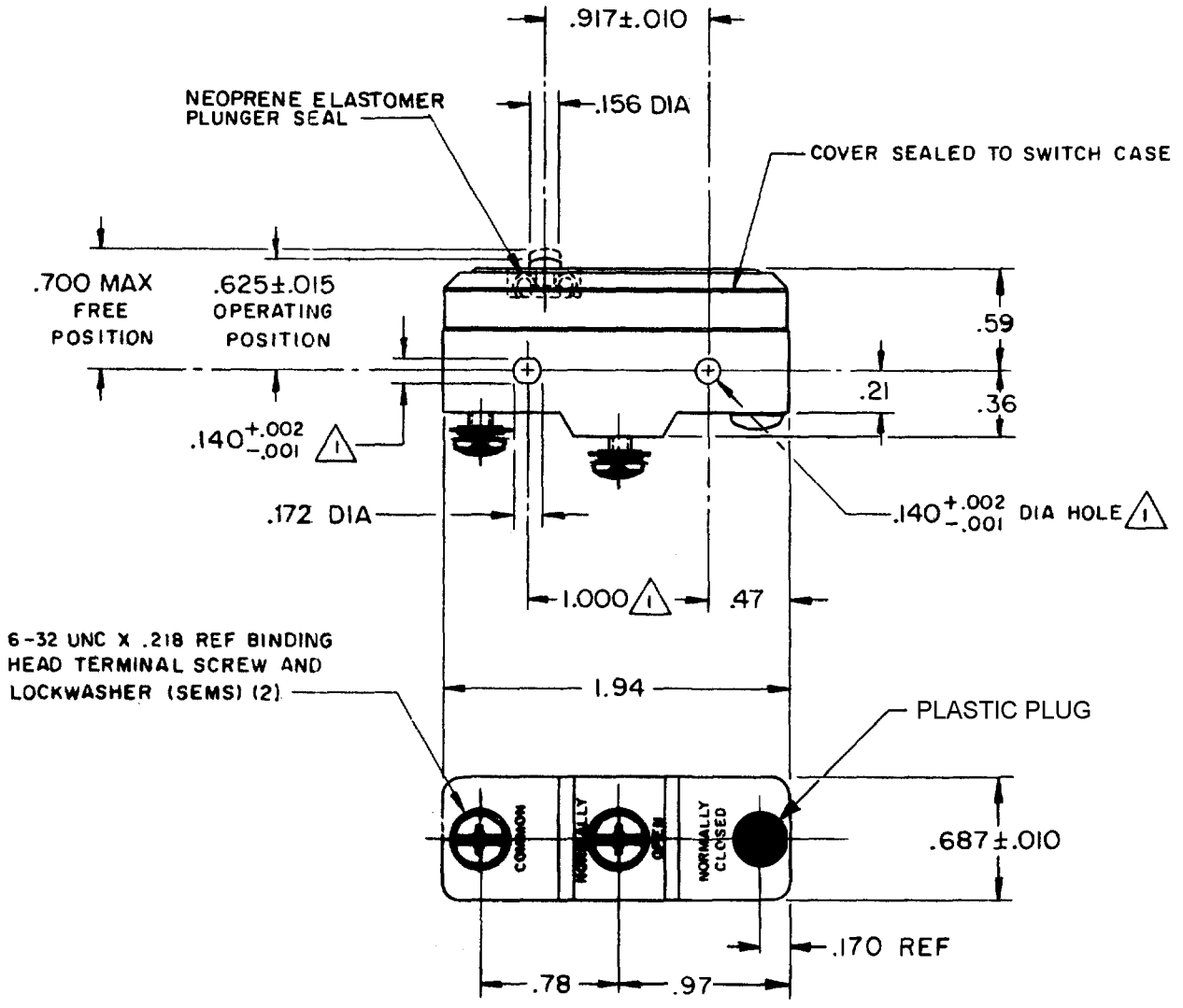
06 MAY 04

KR

RASTER

DRAWN

FO-52848-A



NOTES  
 1 MOUNTING HOLES WILL ACCEPT PINS OR SCREWS OF .139 MAX DIA ON 1.000±.002 CENTERS  
 2 - SEALED CONSTRUCTION PROVIDES SPLASH RESISTANCE

THIS DRAWING COVERS A PROPRIETARY ITEM AND IS THE PROPERTY OF MICRO SWITCH, A DIVISION OF HONEYWELL. THIS DRAWING IS NOT TO BE COPIED OR USED WITHOUT THE APPROVAL OF MICRO SWITCH.

THIRD ANGLE PROJECTION

<b>CHARACTERISTICS</b> OPERATING FORCE-----8-15 OZ RELEASE FORCE-----4 OZ MIN DIFFERENTIAL TRAVEL-----.0004-.0025 OVERTRAVEL-----.005 MIN	<b>ELECTRICAL DATA</b> CONTACT ARRANGEMENT S P N O L96 15A 125, 250 OR 480 VAC 1/8 HP 125 VAC, 1/4 HP 250 VAC 1/2A 125 VDC, 1/4A 250 VDC	SCALE FULL DO NOT SCALE PRINT <b>TOLERANCES</b> APPLY TO DESIGN UNITS. CONVERSIONS ARE ONLY FOR REFERENCE. UNLESS NOTED, TOLERANCES ARE ±																								
	-L288- -L306- -L315-	CE EN 05 RJ 16A 250V ~ T85 5E4	<table border="1"> <thead> <tr> <th>DIM.</th> <th>TOL.</th> <th>DIM.</th> <th>TOL.</th> </tr> <tr> <th>mm</th> <th>mm/in</th> <th>in</th> <th>mm/in</th> </tr> </thead> <tbody> <tr> <td>NO PLACES</td> <td>X</td> <td>1/04</td> <td></td> </tr> <tr> <td>ONE PLACE</td> <td>X,X</td> <td>0.4/015</td> <td>X,X 0.8/03</td> </tr> <tr> <td>TWO PLACES</td> <td>X,XX</td> <td>0.15/005</td> <td>X,XX 0.38/015</td> </tr> <tr> <td>THREE PLACES</td> <td>X,XXX</td> <td></td> <td>X,XXX 0.13/005</td> </tr> </tbody> </table> DESIGN UNITS <input type="checkbox"/> SI METRIC <input checked="" type="checkbox"/> US CUSTOMARY WEIGHT .065 LB	DIM.	TOL.	DIM.	TOL.	mm	mm/in	in	mm/in	NO PLACES	X	1/04		ONE PLACE	X,X	0.4/015	X,X 0.8/03	TWO PLACES	X,XX	0.15/005	X,XX 0.38/015	THREE PLACES	X,XXX	
DIM.	TOL.	DIM.	TOL.																							
mm	mm/in	in	mm/in																							
NO PLACES	X	1/04																								
ONE PLACE	X,X	0.4/015	X,X 0.8/03																							
TWO PLACES	X,XX	0.15/005	X,XX 0.38/015																							
THREE PLACES	X,XXX		X,XXX 0.13/005																							