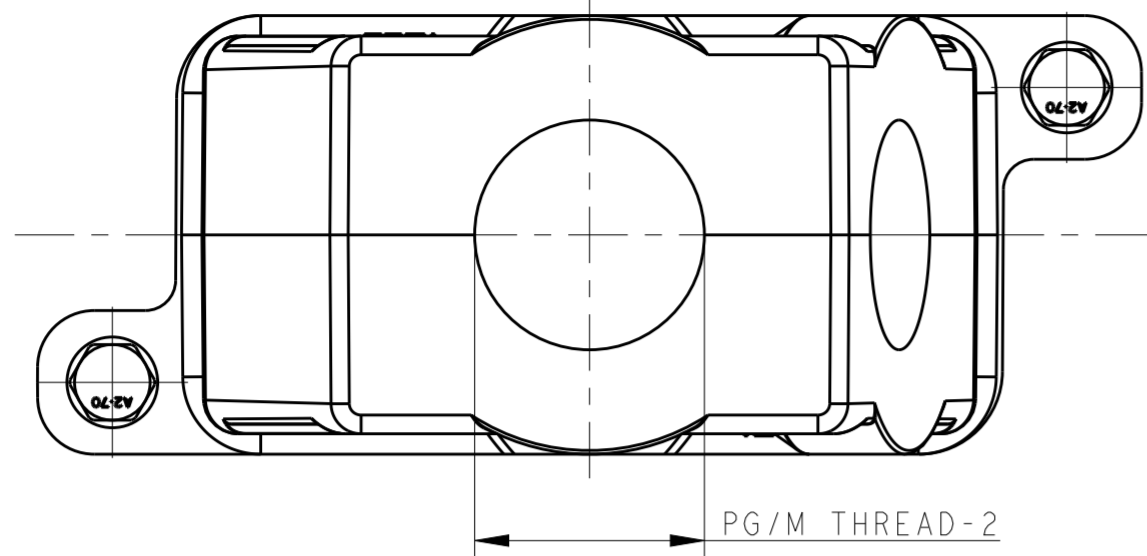


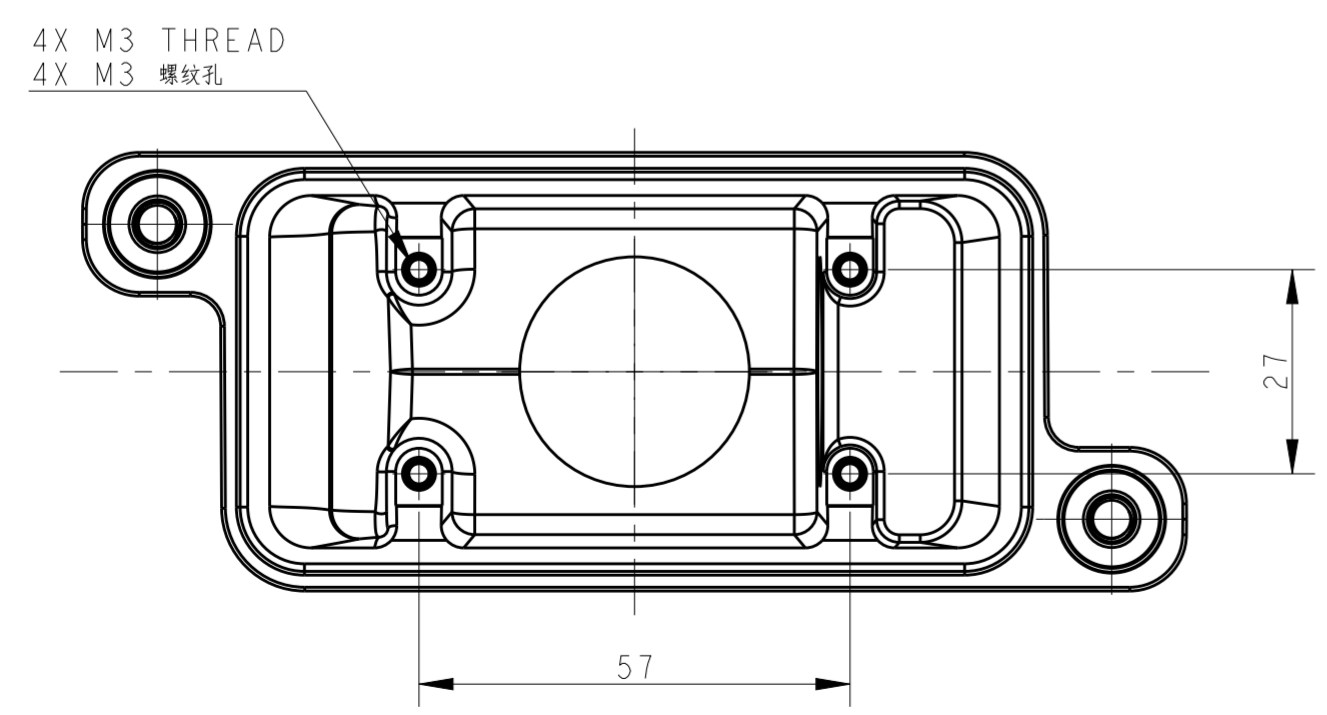
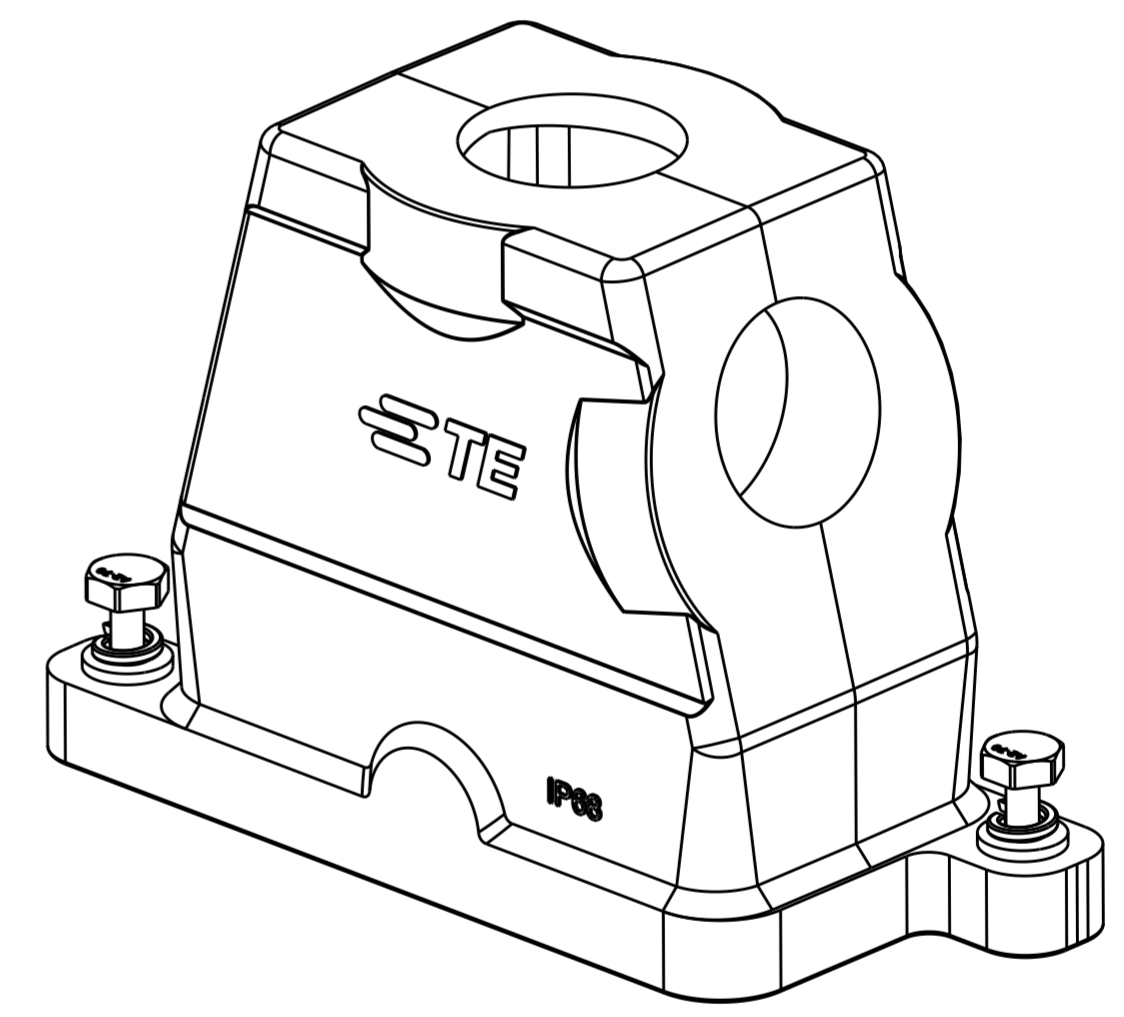
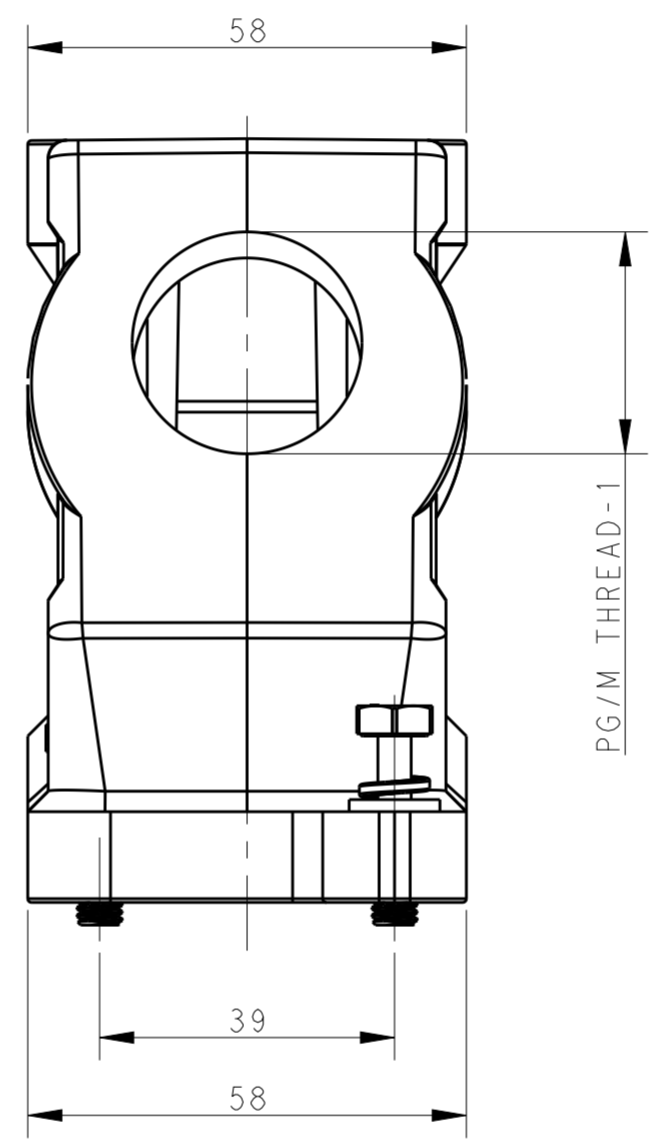
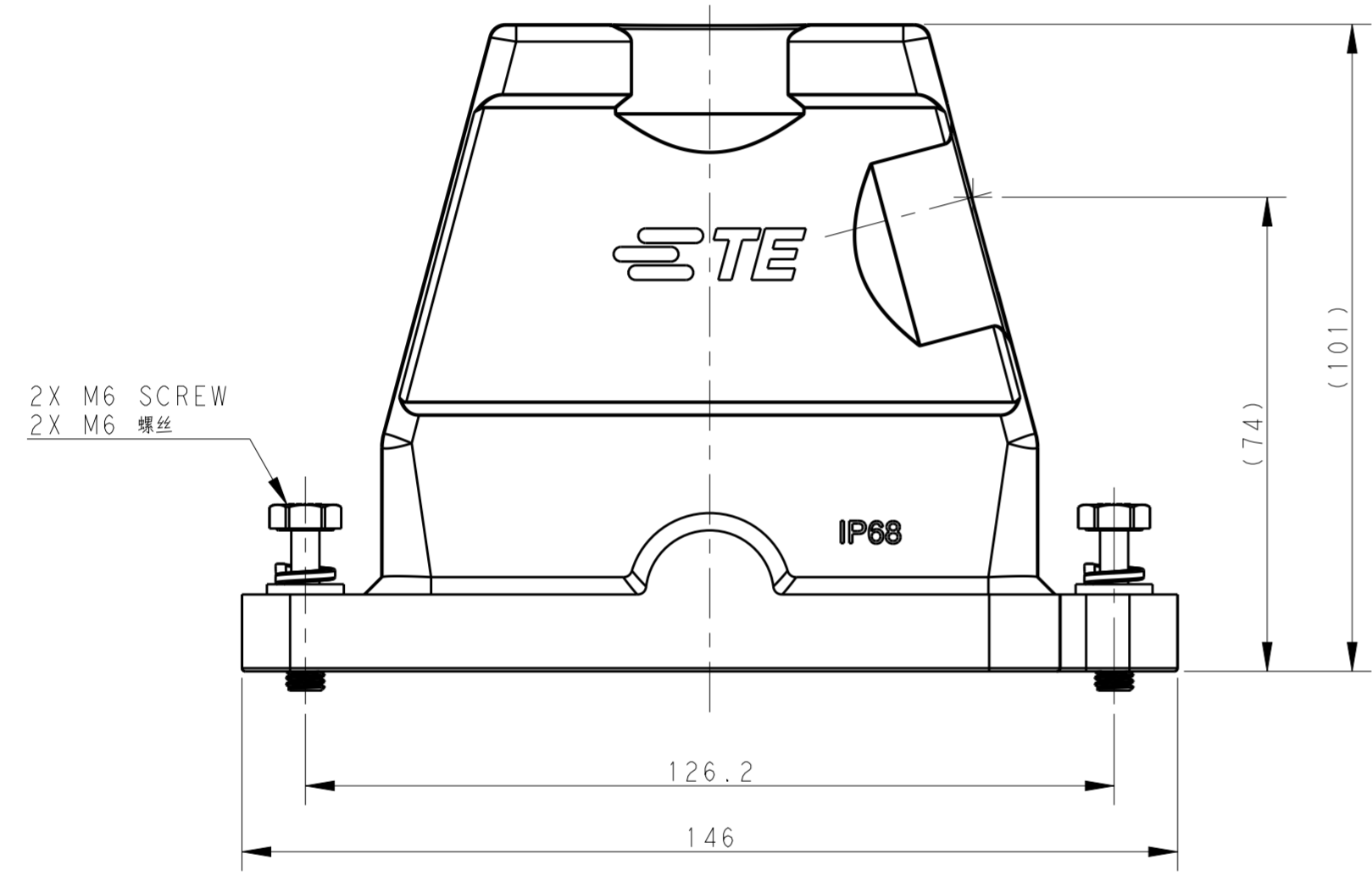
THIS DRAWING IS UNPUBLISHED. RELEASED FOR PUBLICATION 20
 © COPYRIGHT 20 BY - ALL RIGHTS RESERVED.

REVISIONS					
P	LTR	DESCRIPTION	DATE	DWN	APVD
	A	INITIAL RELEASE	20SEP2016	DW	CW



NOTES:
 1. TECHNICAL CHARACTERISTICS:
 HOOD MATERIAL: DIE CAST ALUMINIUM ALLOY
 SURFACE: SEE TABLE
 DEGREE OF PROTECTION: IP68 (MATED)

注释:
 1. 技术参数:
 壳体材料: 铝合金
 表面处理: 见表格
 防护等级: IP68 (配合)



T1900102232-009	H10BPR-TS/GH-2M32-EMC-C	H10BPR HOOD,DIAGONAL LOCKING LOCKING,SIDE/TOP ENTRY 2M32 POWDER COATED, GREY H10BPR对角锁定侧顶出上壳2M32 灰色	M32	M32
T1900100232-009	H10BPR-TS/GH-2M32-EMC-C	H10BPR HOOD,DIAGONAL LOCKING LOCKING,SIDE/TOP ENTRY 2M32 POWDER COATED, BLACK H10BPR对角锁定侧顶出上壳2M32 黑色	M32	M32
PART NUMBER 料号	PART DESCRIPTION 描述		PG/M THREAD-2 PG/M 螺纹-2	PG/M THREAD-1 PG/M 螺纹-1

THIS DRAWING IS A CONTROLLED DOCUMENT.		DWN 20SEP2016 DAVID WANG	STE TE Connectivity	
		CHK 20SEP2016 CHRIS WANG		
		APVD 20SEP2016 XIANG XU	NAME H10BPR-TS/GH-PG/M-EMC-C	
DIMENSIONS: mm		TOLERANCES UNLESS OTHERWISE SPECIFIED: 0 PLC ± 1 PLC ± 2 PLC ± 3 PLC ± 4 PLC ± ANGLES ± FINISH	PRODUCT SPEC 108-137191	RESTRICTED TO
MATERIAL			APPLICATION SPEC 114-137191	
			WEIGHT	SCALE 1:1
			Customer Drawing	SHEET 1 OF 1 REV A