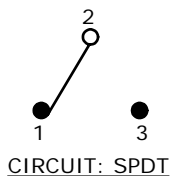
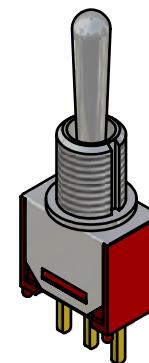
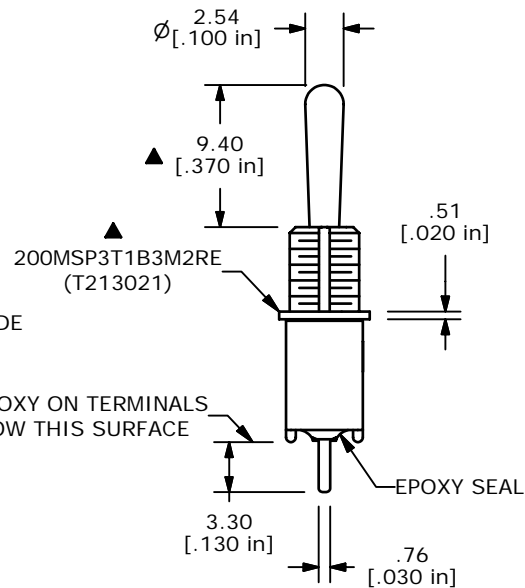
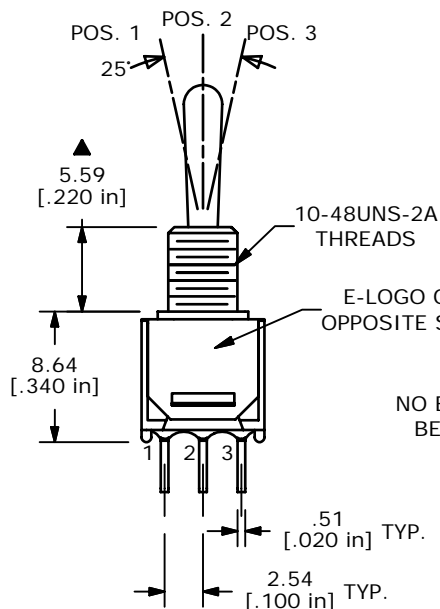
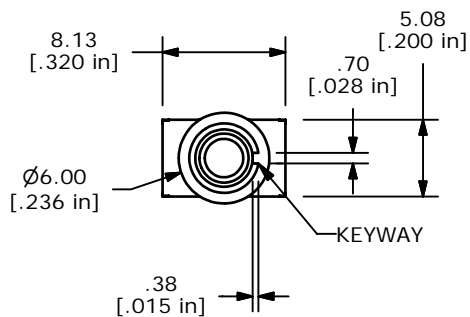


P.C. MOUNTING

| SWITCH FUNCTION | | |
|-----------------|--------|--------|
| POS. 1 | POS. 2 | POS. 3 |
| | | |
| ON | OFF | ON |
| 2-3 | OPEN | 2-1 |



- NOTE:
1. ALL DIMENSIONS IN MM [INCH]
 2. GENERAL TOLERANCE: X.X=±0.4
X.XX=±0.25
 3. TERMINAL NUMBERS FOR REF ONLY
 - ▲ 4. PLATING MATERIAL: GOLD
 5. RATING: 0.4VA MAX. @20V MAX. AC OR DC
 6. ELECTRIC LIFE: 30,000 MAKE-AND-BREAK CYCLES AT FULL LOAD.
 7. INSULATION RESISTANCE: 1,000 MEGA-OHM MIN.
 8. DIELECTRIC STRENGTH: 1,000 V RMS @SEA LEVEL.
 9. OPERATING TEMP.: -30°C to 85°C
 - ▲ 10. HARDWARE TO BE SHIPPED BULK
T200001 - HEXNUT - QTY 2
T200000 - LOCKWASHER - QTY 1
T100002 - LOCKRING - QTY 1
 11. ▲ DENOTES CRITICAL PARAMETER.
 12. 2002/95/EC (ROHS) COMPLIANT



ISOMETRIC

E-SWITCH®

| | | | | |
|------------------------|---------------|-------|--------------|-------|
| TITLE 200MSP3T1B3M2REH | | | | |
| SCALE 2:1 | DATE 4/1/2005 | DR AR | DWG ST213021 | REV B |

| | | | | |
|-----|--------|--------------------------|----------|----|
| B | 15616 | CHANGE HEX NUT, ADD ROHS | 12/20/05 | PH |
| A | 14813 | RELEASED FOR PRODUCTION | 4/1/05 | AR |
| REV | PCR NO | DESCRIPTION | DATE | BY |

THE INFORMATION CONTAINED IN THIS DOCUMENT IS PROPRIETARY TO E-SWITCH AND IS NOT TO BE COPIED OR TRANSFERRED