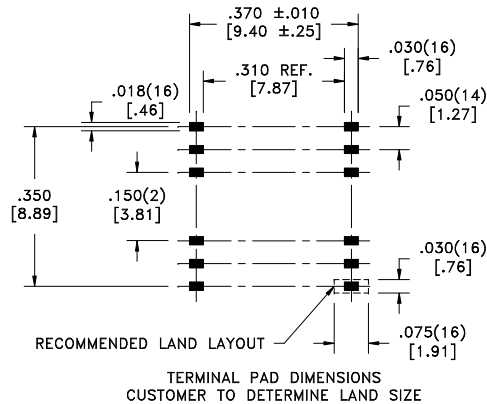
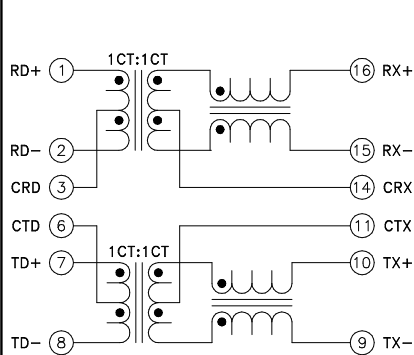
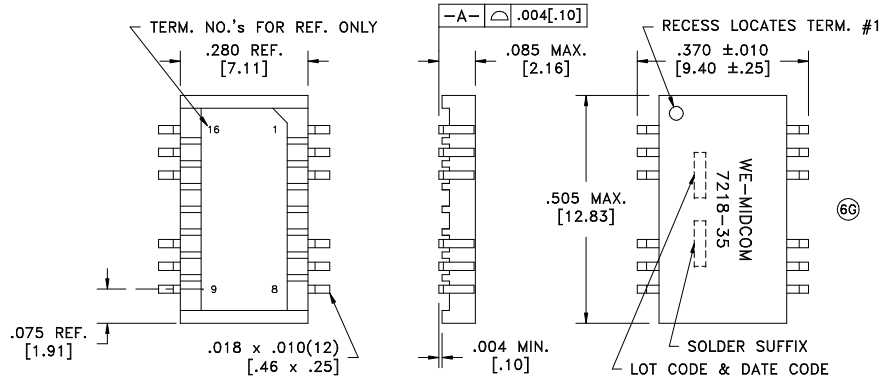


SOLDER SUFFIX	CUSTOMER TERMINAL	RoHS	LEAD(Pb)-FREE	6E
	Sn63%, Pb37%	No	No	
LF1	Sn96%, Ag4%	Yes	Yes	6G

more than you expect



**ELECTRICAL SPECIFICATIONS @ 25°C unless otherwise noted:**

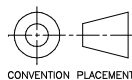
INSERTION LOSS:	-1.0dB max., 1M - 125MHz.
DIELECTRIC RATING:	1500Vrms, 1 minute tested by applying 1800Vrms for 1 second between 1-16(tie 1+8, 9+16).
INDUCTANCE:	350uH min., 100kHz, 100mVAC, 8mADC, 16-15; 11-9, Lp.
TURNS RATIO/POLARITY:	Per Schematic.
RETURN LOSS:	-18dB min., 30MHz. -14dB min., 60MHz. -12dB min., 80MHz.
CROSSTALK:	-35dB min., 1M - 150MHz.
CMDR:	-40dB min., 30MHz. -40dB min., 50MHz. -30dB min., 100MHz. -20dB min., 150MHz.

OPERATING TEMPERATURE RANGE: 0°C to +70°C.

COPLANARITY: All 16 terminals must lie on a plane within .004 [.10] of Surface A after lead tinning.

Midcom p/n 000-7218-35R-LF1 is eiSos p/n: 749010110.

REV.	DATE	Packaging Specifications
6G	2/10	Method: Tape & Reel
6F	6/07	PKG-0362
6E	2/07	www.midcom-inc.com
6D	5/06	REVISIONS: SEE SHEET 1



Tolerances unless otherwise specified:  
Angles: ±1°      Decimals: ±.005 [.13]  
Fractions: ±1/64      Footprint: ±.005 [.13]

This drawing is dual dimensioned. Dimensions in brackets are in millimeters.

DRAWING TITLE  
**TRANSFORMER**  
AEDFP-G12

eiSos p/n: 749010110



PART NO.  
**000-7218-35R/-LF1**

SHEET 2 OF 8

6B	
AGENCY NUMBER	
UL60950	E205930
CSA60950 (Via cUL)	E205930

6E