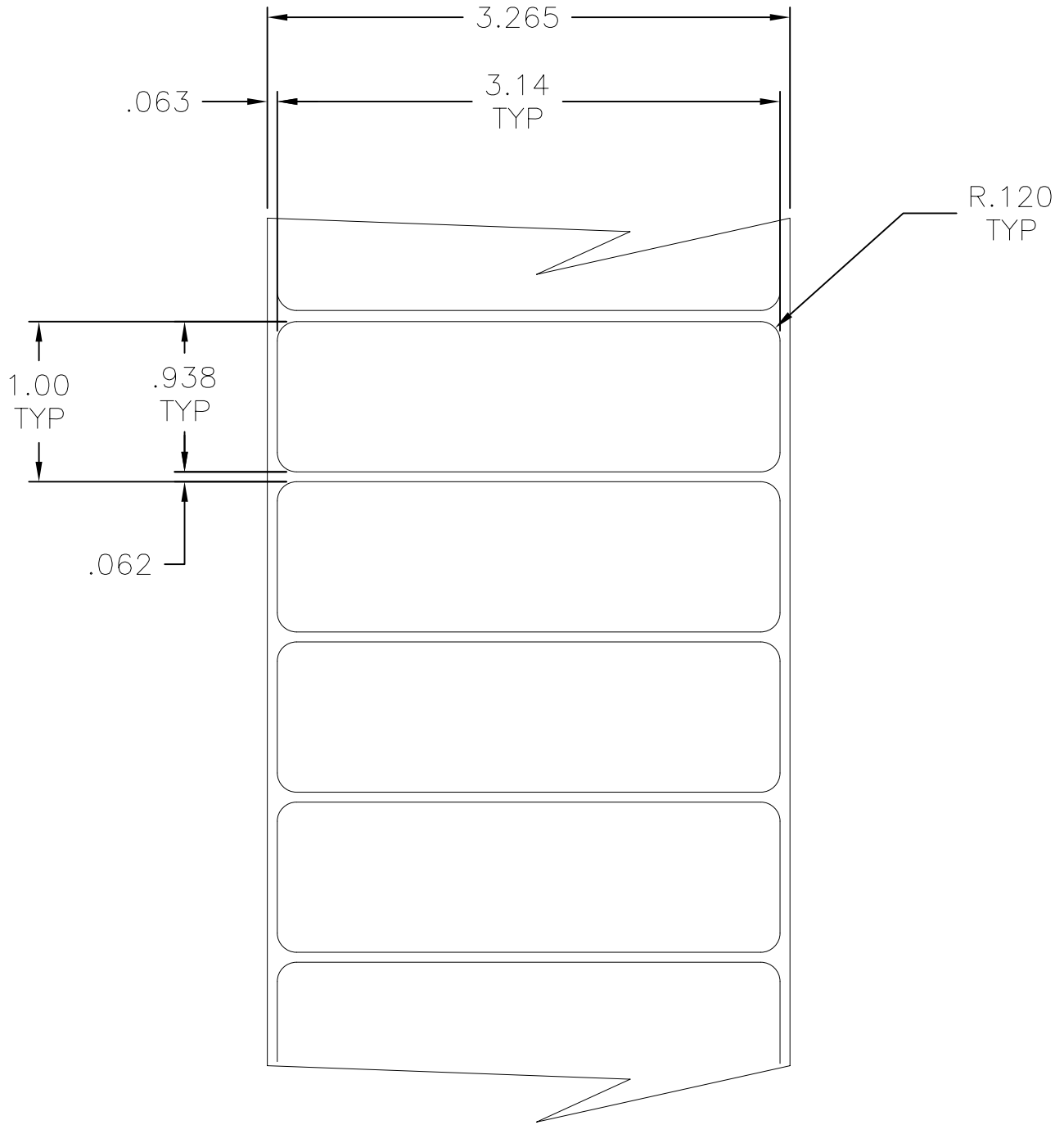


name	date	city, state

NOTES



2,000 WHITE LABELS PER ROLL
1 ACROSS

REVISION	D level	A
	date	09/17/99
	by	AAM
	ECN #	001482
part level	A	

DIMENSIONS	.XXXX=	
	.XXX= ±.010	
	.XX=	
	.X=	
	∠=	
unless otherwise specified		
units	inches	

PART	number	TAG77T1-101	phase	PRODUCTION
	name	TAG77T1-101 THERMAL TRANSFER BLANK LABEL		
	material	101 PAPER		

DRAWING	FORMAT	AV	version	K	CAD	ACAD	scale	1X
	computer file number	LA/DTL/3002122A			previous number			
	drawn	A.A.M.	checked	K.A.C.	approved			
		09/17/99		10/11/99		sheet	1 of 1	
type	DETAIL			sheet	1 of 1			
number	LA3002122DTL							