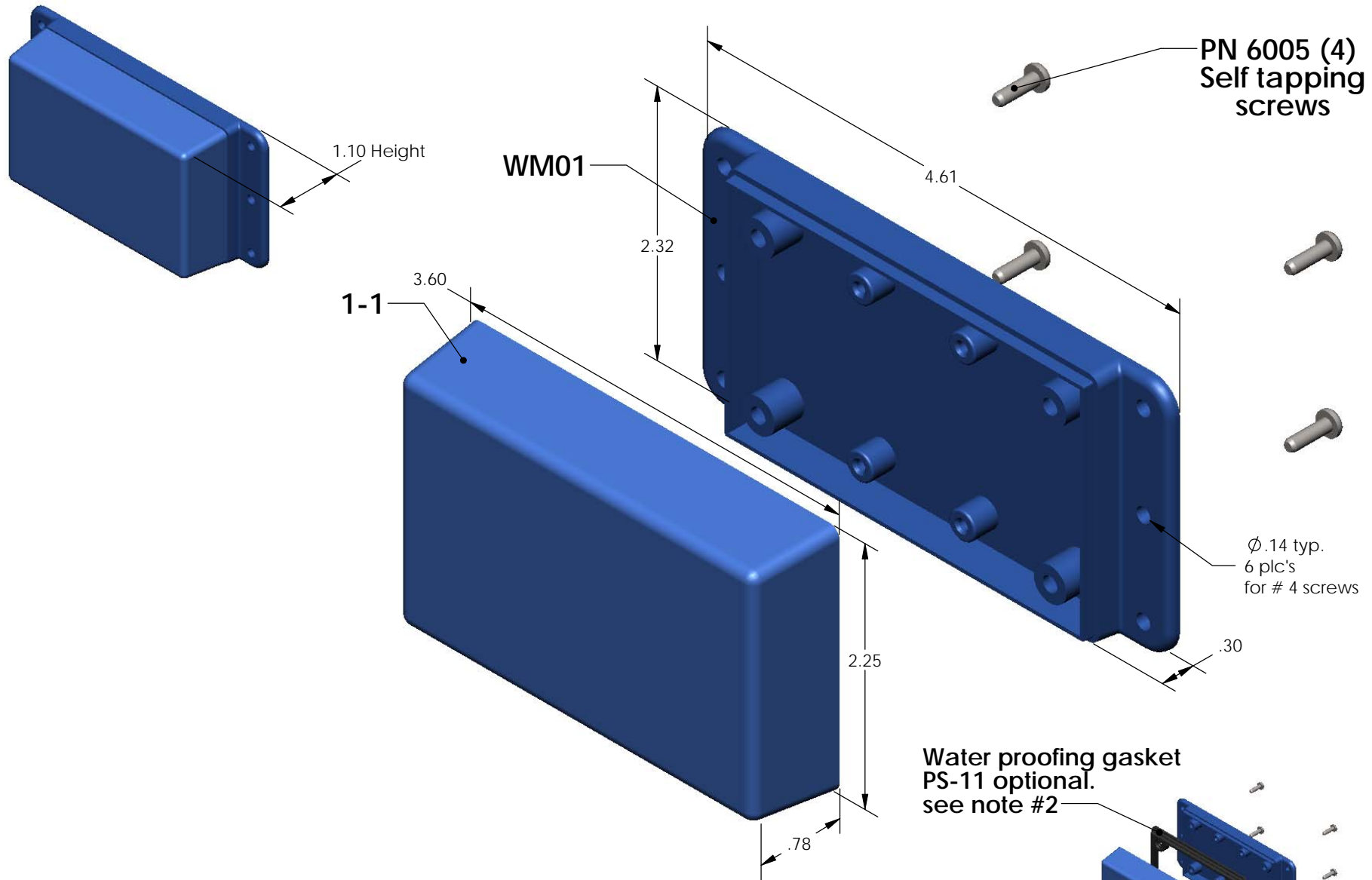


SERPAC WM011 (exploded isometric)

Electronic Enclosures



| PART NO. | DESCRIPTION (Included) | ACCESSORIES (Optional) | |
|----------|---------------------------|------------------------|------------------------------|
| 1-1 | TOP | PART NO. | DESCRIPTION |
| WM01 | BOTTOM | 50 | Non-skid Feet |
| 6005 | #4 self tapping screw (4) | PS-11 | Perimeter Seal |
| | | 310 | Prototype grid board (Horiz) |
| | | 410 | Prototype clad board (Horiz) |

Notes:

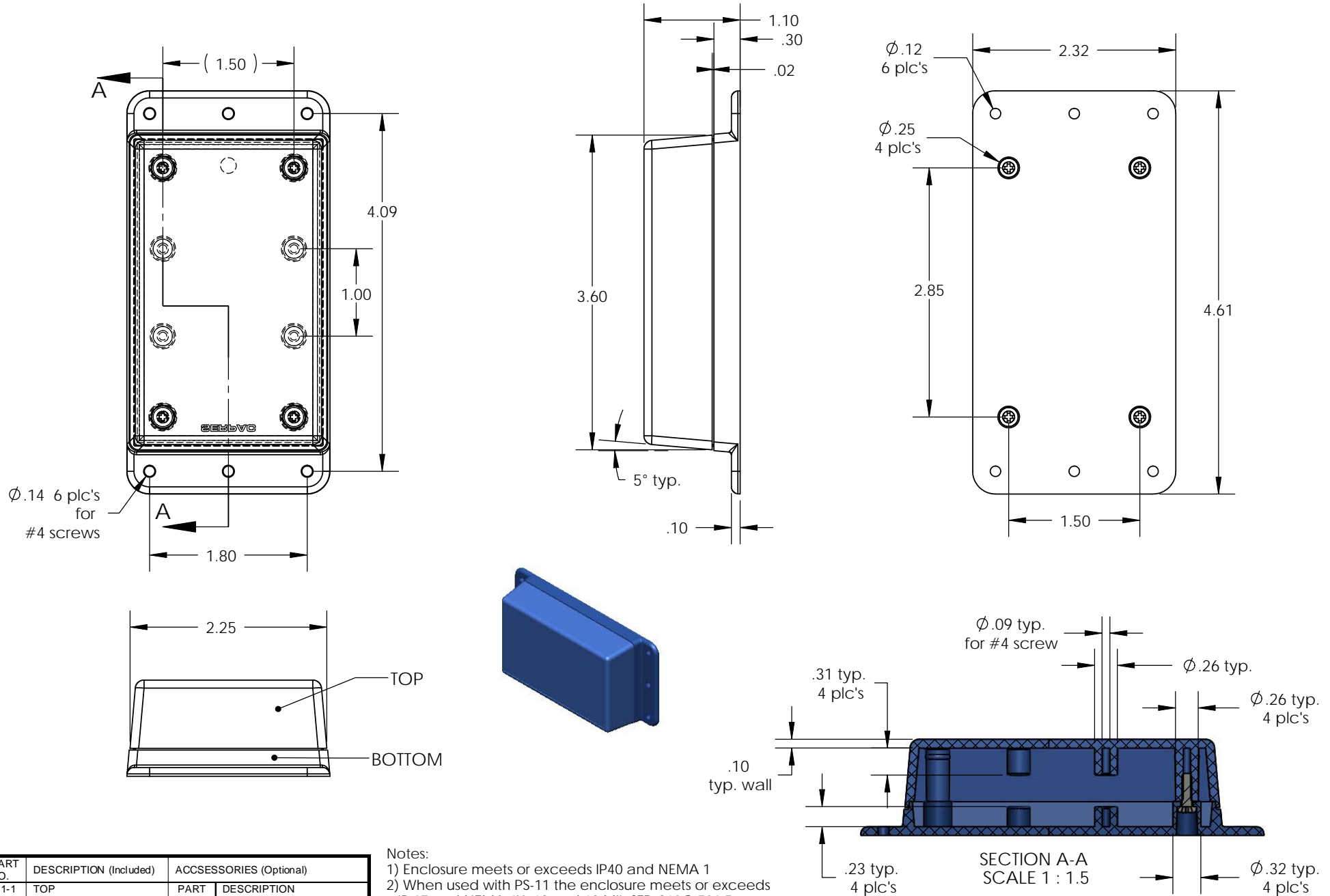
- 1) Enclosure meets or exceeds IP40 and NEMA 1
- 2) When used with PS-11 the enclosure meets or exceeds IP 67 and NEMA 4X, 12 and 13 MIL-STD-810G 506.5
- 3) Circuit Board drawings can be download at:
<http://www.serpac.com/Accessories/CircuitBoard/drawings/310-410.pdf>
- 4) All components are RoHS Compliant.

Water proofing gasket
PS-11 optional.
see note #2

ALL DIMENSIONS ARE ± .010" 5/7/09 (1 of 2)
619 Commercial Ave. Covina, CA 91723
Ph. (626) 331-0517 Fx. (626) 331-8584 serpac.com

SERPAC WM011 (user print)

Electronic Enclosures



Notes:

- 1) Enclosure meets or exceeds IP40 and NEMA 1
- 2) When used with PS-11 the enclosure meets or exceeds IP 67 and NEMA 4X, 12 and 13 MIL-STD-810G 506.5
- 3) Circuit Board drawings can be download at: <http://www.serpac.com/Accessories/CircuitBoard/drawings/310-410.pdf>
- 4) All components are RoHS Compliant.

| PART NO. | DESCRIPTION (Included) | ACCESSORIES (Optional) | |
|----------|---------------------------|------------------------|------------------------------|
| 1-1 | TOP | PART NO. | DESCRIPTION |
| WM01 | BOTTOM | 50 | Non-skid Feet |
| 6005 | #4 self tapping screw (4) | PS-11 | Perimeter Seal |
| | | 310 | Prototype grid board (Horiz) |
| | | 410 | Prototype clad board (Horiz) |